

STAINLESS STEEL SEQUESTR™ EXTERNAL DISCONNECT PACKAGE, TYPE 4X



INDUSTRY STANDARDS

UL 508A Listed 508; Type 3R, 4, 4X, 12; File No. E61997
 cUL Listed per CSA C22.2 No. 94; Type 3R, 4, 4X, 12; File No. E61997

NEMA/EEMAC Type 3R, Type 4, 4X, 12
 CSA File No. 42186: Type 4, 4X, 12
 IEC 60529, IP66
 Meets NEMA Type 3RX requirements

APPLICATION

The Stainless Steel SEQUESTR™ External Disconnect Enclosure package helps mitigate arc flash occurrences when working on interior components by isolating incoming power from the main enclosure. Manufactured from 304 stainless steel, it provides protection from non-corrosive or mildly corrosive elements in both indoor and outdoor environments. A package includes a main enclosure and a SEQUESTR box. SEQUESTR boxes can be ordered separately to retrofit existing enclosures. The disconnect switch and fuse block/circuit breaker are mounted in the external enclosures, with terminal connections to bring power to the main enclosure.

FEATURES

- Main enclosure is manufactured from 12 gauge Type 304 stainless steel
- SEQUESTR enclosure is made from 14 gauge Type 304 stainless steel
- Seams continuously welded and ground smooth
- Interlocks doors of main control cabinet when disconnect switch is powered ON
- Mechanical interlock on main control enclosure activated by master door, preventing slave door from being opened first
- Provision for pass-through power into the main enclosure
- Preferred Disconnect cutout
- Quarter-turn, screwdriver slot latch on SEQUESTR Enclosure
- Heavy-duty 3-point latching mechanism operated by Type 316L stainless steel POWERGLIDE™ padlocking handle on all doors
- Heavy-duty continuous hinges
- Grounding studs on body
- Bonding provision on door
- Conductive back panel included in SEQUESTR External Disconnect Enclosure
- Optional back panel for main control cabinet for maximum ordering flexibility
- SEQUESTR External Disconnect Enclosure is shipped unattached for easy disconnect installation

FINISH

Stainless steel enclosures are unpainted. Sides and body have smooth #4 brushed finish. Optional white mild steel panels or conductive panels.

ACCESSORIES

Electric Heater
 Compact Cooling Fans
 Floor Stand Kit
 PANELITE™ Enclosure Lights

MODIFICATION AND CUSTOMIZATION

Hoffman excels at modifying and customizing products to your specifications. Contact your local Hoffman sales office or distributor for complete information.

BULLETIN: A28SX

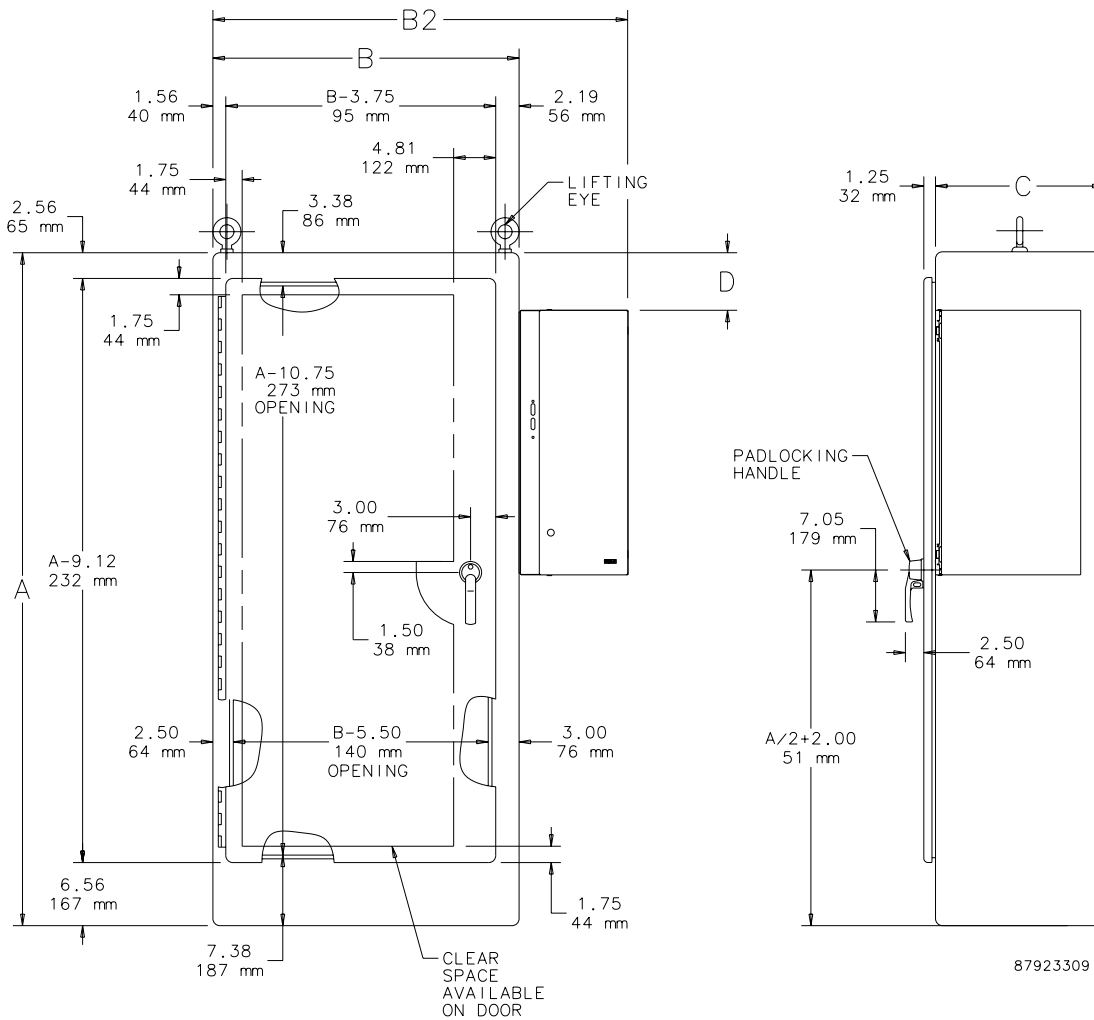
Standard Product **One-Door Enclosure**

Catalog Number	AxBxC in./mm	B2 in./mm	D in./mm	Panel	Conductive Panel	Panel size in./mm
A72XD2818SSFTCLP	72.12 x 28.25 x 18.12 1832 x 718 x 460	42.25 1073	0 0	A72PM28	A72PM28G	60.00 x 21.75 1524 x 552
A72XD3418SSFTCLP	72.12 x 34.25 x 18.12 1832 x 870 x 460	48.25 1226	0 0	A72PM34	A72PM34G	60.00 x 27.75 1524 x 705
A72XD4018SSFTCLP	72.12 x 40.25 x 18.12 1832 x 1022 x 460	54.25 1378	0 0	A72PM40	A72PM40G	60.00 x 33.75 1524 x 857
A84XD4018SSFTCLP	84.12 x 40.25 x 18.12 2137 x 1022 x 460	54.25 1378	6.00 152	A84PM40	A84PM40G	72.00 x 33.75 1829 x 857
A90XD4018SSFTCLP	90.12 x 40.25 x 18.12 2289 x 1022 x 460	54.25 1378	9.00 229	A90PM40	A90PM40G	78.00 x 33.75 1981 x 857
A90XD4020SSFTCLP	90.12 x 40.25 x 20.12 2289 x 1022 x 511	54.25 1378	9.00 229	A90PM40	A90PM40G	78.00 x 33.75 1981 x 857
A84XD4024SSFTCLP	84.12 x 40.25 x 24.12 2137 x 1022 x 613	54.25 1378	6.00 152	A84PM40	A84PM40G	72.00 x 33.75 1829 x 857
A90XD4024SSFTCLP	90.12 x 40.25 x 24.12 2289 x 1022 x 613	54.25 1378	9.00 229	A90PM40	A90PM40G	78.00 x 33.75 1981 x 857

B dimension is large enclosure without External Disconnect Enclosure.

B2 dimension is overall size including External Disconnect Enclosure.

Purchase panels separately.



87923309

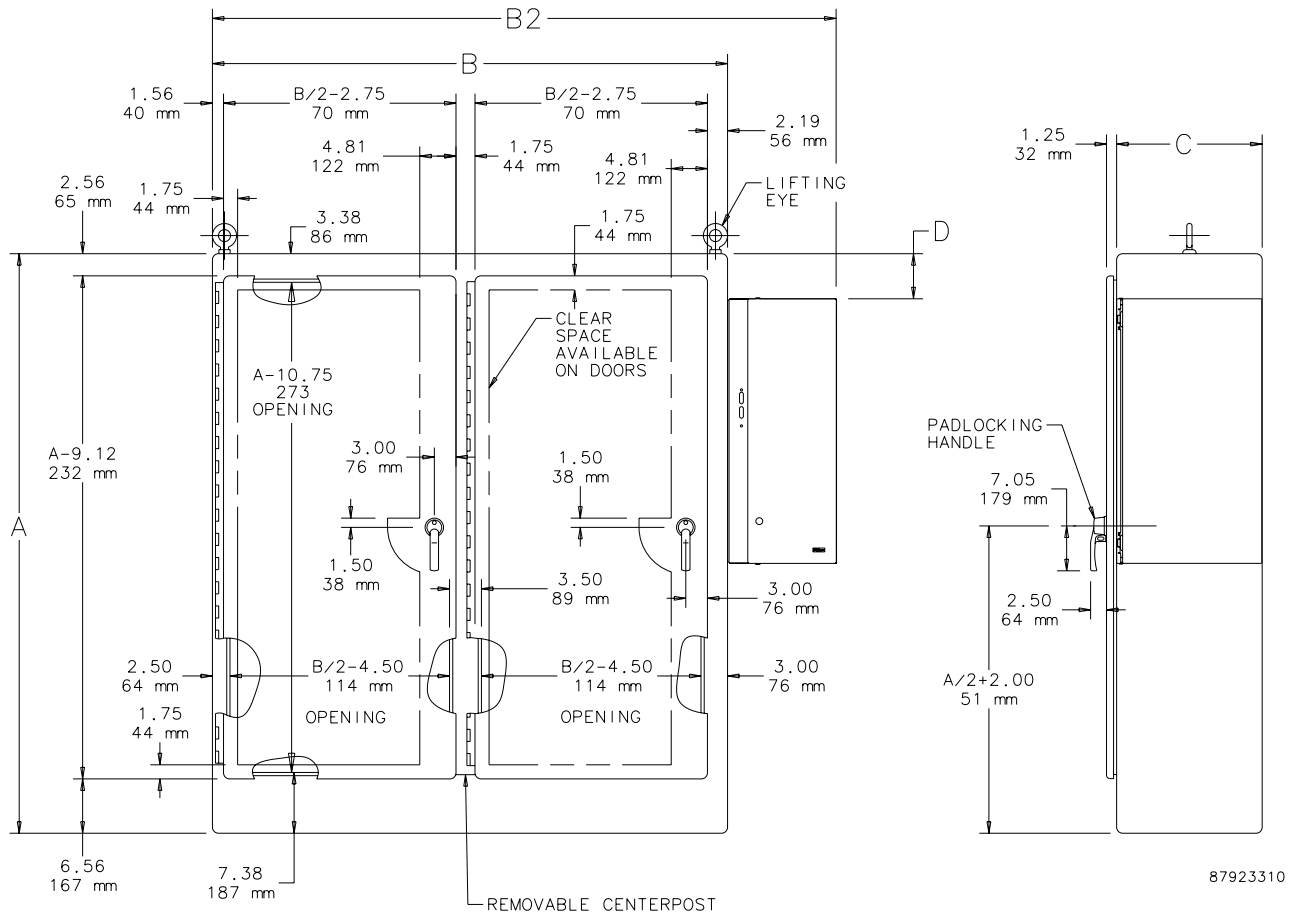
Standard Product **Two-Door Enclosure**

Catalog Number	AxBxC in./mm	B2 in./mm	D in./mm	Panel	Conductive Panel	Panel Size in./mm
A72XD5418SSFCLP	72.12 x 54.50 x 18.12 1832 x 1384 x 460	68.50 1740	0 0	A72PM54	A72PM54G	60.00 x 48.00 1524 x 1219
A72XD6618SSFCLP	72.12 x 66.50 x 18.12 1832 x 1689 x 460	80.50 2045	0 0	A72PM66	A72PM66G	60.00 x 60.00 1524 x 1524
A72XD7818SSFCLP	72.12 x 78.50 x 18.12 1832 x 1994 x 460	92.50 2350	0 0	A72PM78	A72PM78G	60.00 x 72.00 1524 x 1829
A84XD7818SSFCLP	84.12 x 78.50 x 18.12 2137 x 1994 x 460	92.50 2350	6.00 152	A84PM78	A84PM78G	72.00 x 72.00 1829 x 1829
A90XD7818SSFCLP	90.12 x 78.50 x 18.12 2289 x 1994 x 460	92.50 2350	9.00 229	A90PM78	A90PM78G	78.00 x 72.00 1981 x 1829
A90XD7820SSFCLP	90.12 x 78.50 x 20.12 2289 x 1994 x 511	92.50 2350	9.00 229	A90PM78	A90PM78G	78.00 x 72.00 1981 x 1829
A72XD7824SSFCLP	72.12 x 78.50 x 24.12 1832 x 1994 x 613	92.50 2350	0 0	A72PM78	A72PM78G	60.00 x 72.00 1524 x 1829
A84XD7824SSFCLP	84.12 x 78.50 x 24.12 2137 x 1994 x 613	92.50 2350	6.00 152	A84PM78	A84PM78G	72.00 x 72.00 1829 x 1829
A90XD7824SSFCLP	90.12 x 78.50 x 24.12 2289 x 1994 x 613	92.50 2350	9.00 229	A90PM78	A90PM78G	78.00 x 72.00 1981 x 1829

B dimension is large enclosure without External Disconnect Enclosure.

B2 dimension is overall size including External Disconnect Enclosure.

Purchase panels separately.



87923310

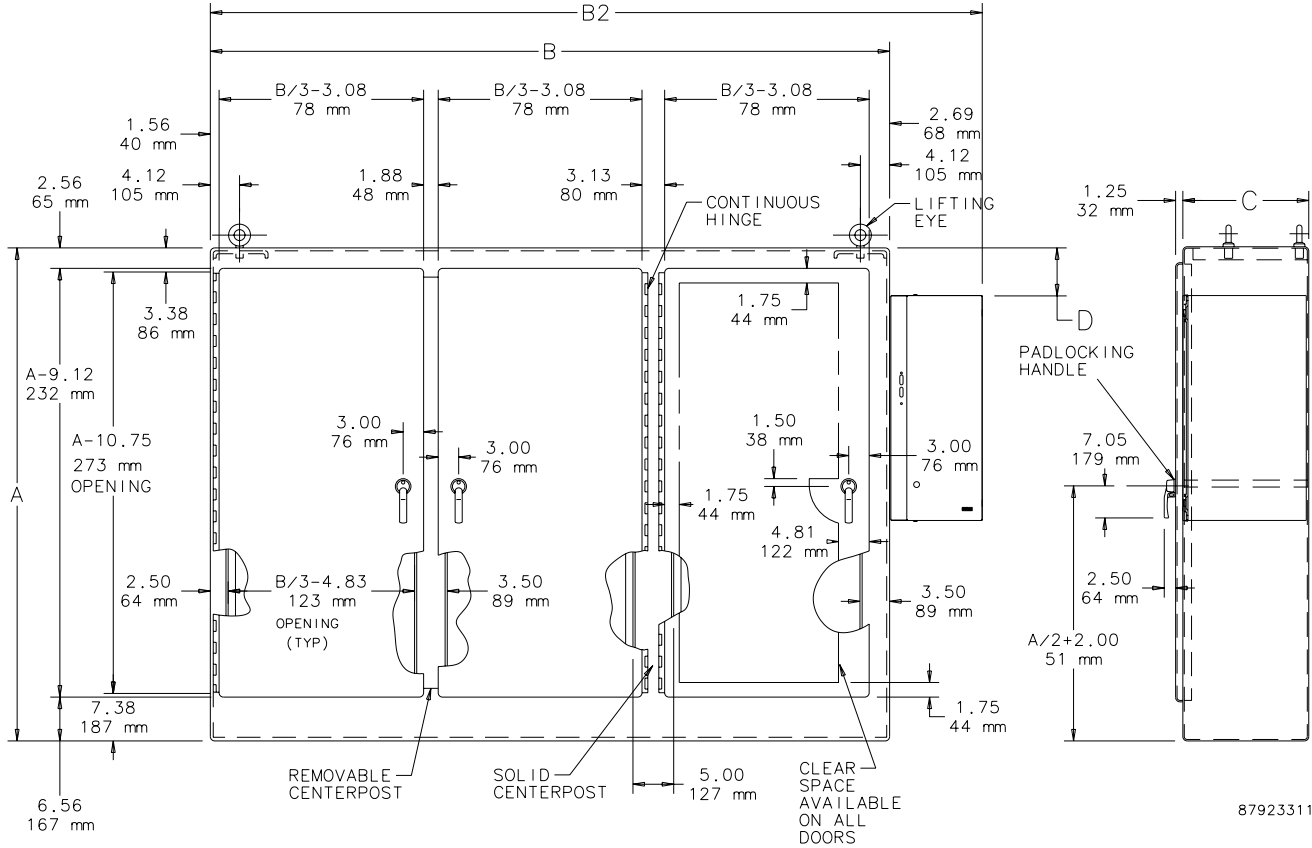
Standard Product **Three-Door Enclosure**

Catalog Number	AxBxC in./mm	B2 in./mm	D in./mm	Large Panel/Small Panel	Large Conductive Panel/Small Conductive Panel	Large Panel Size in./mm	Small Panel Size in./mm
A72XD3EQ18SSFCLP	72.12 x 100.75 x 18.12 1832 x 2559 x 460	114.75 2915	0	A72PM66/A72PM34	A72PM66G/A72PM34G	60.00 x 60.00 1524 x 1524	60.00 x 27.75 1524 x 705
A72XD3EW18SSFCLP	72.12 x 118.75 x 18.12 1832 x 3016 x 460	132.75 3372	0	A72PM78/A72PM40	A72PM78G/A72PM40G	60.00 x 72.00 1524 x 1829	60.00 x 33.75 1524 x 857
A84XD3EW18SSFCLP	84.12 x 118.75 x 18.12 2137 x 3016 x 460	132.75 3372	6.00 152	A84PM78/A84PM40	A84PM78G/A84PM40G	72.00 x 72.00 1829 x 1829	72.00 x 33.75 1829 x 857
A84XD3EW24SSFCLP	84.12 x 118.75 x 24.12 2137 x 3016 x 613	132.75 3372	6.00 152	A84PM78/A84PM40	A84PM78G/A84PM40G	72.00 x 72.00 1829 x 1829	72.00 x 33.75 1829 x 857
A90XD3EW24SSFCLP	90.12 x 118.75 x 24.12 2289 x 3016 x 613	132.75 3372	9.00 229	A90PM78/A90PM40	A90PM78G/A90PM40G	78.00 x 72.00 1981 x 1829	78.00 x 33.75 1981 x 857

B dimension is large enclosure without External Disconnect Enclosure.

B2 dimension is overall size including External Disconnect Enclosure.

Purchase panels separately.



Optional Terminal Plates

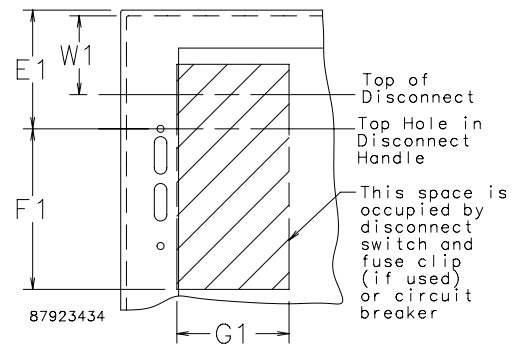
Catalog Number	For
STBP3060	30 and 60 amp switches
ATBP100	100 amp switches
ATBP200	200 amp switches

DISCONNECT MOUNTING SPACE

Disconnects are located by dimension E1. Wiring space W1 is available when disconnect is installed in the enclosure. See the Hoffman Specifier's Guide Technical Information chapter for E1 Spacing by Enclosure Height for various disconnect switch manufacturers.

Refer to **National Electrical Code® 2008** article 430.10(B) for wiring space required for line side conductors to be connected to disconnect. **Verify your application to determine if wiring space is adequate.**

Consult Space Occupied by Disconnect drawing to determine whether the disconnect device you are using will fit the enclosure size you have selected.



Consult disconnect manufacturer or see Disconnect Ordering Information at hoffmanonline.com under Technical Resources for F1 and G1 dimensions of various brands of disconnects.

STAINLESS STEEL SEQUESTR™ PREFERRED-CUTOUT OVERVIEW



APPLICATION

The SEQUESTR™ enclosures have the standard preferred cutout on the left-hand flange. They accept left-hand 1494V Allen-Bradley variable-depth devices, up to 200A, and left-hand Class 9422 Square D variable-depth devices, up to 200A.

SEQUESTR cutouts are designed to house the following:
Allen-Bradley Bulletin 1494V DSX left-hand disconnect switches with flange-mount variable depth operating mechanisms and Bulletin 1494V flange-mount variable-depth operating mechanisms for circuit breakers.

These enclosures will NOT accept Allen-Bradley Bulletin 1494F disconnect devices or Bulletin 1494D circuit breaker operators.

Schneider Square D® Class 9422 disconnect switches with flange-mount left-hand variable-depth operating mechanisms and Class 9422 flange-mount left-hand variable-depth operating mechanisms for circuit breakers.

These enclosures will NOT accept Square D Class 9422 bracket-mounted disconnect devices, Class 9422TGI or TG2 devices.

ORDERING

Disconnect switch (or circuit breakers), operating handle and operating mechanism are not furnished with enclosure. Consult the Hoffman Specifier's Guide Technical Information chapter for wire bend information and hoffmanonline.com for disconnect manufacturer information. Consult drawings to match the disconnect device you are using with the correct enclosure size.

A complete assembly consists of:

1. An enclosure
2. Door interlock brackets
3. 3-point door latching system
4. Instructions to locate and install disconnect
5. Grounding hardware kit
6. Conductive panel in SEQUESTR External Disconnect Enclosure

Notes