

# Flush-type connector - SACC-DSIV-M 8MS-4CON-L 90 - 1440096

Please be informed that the data shown in this PDF Document is generated from our Online Catalog. Please find the complete data in the user's documentation. Our General Terms of Use for Downloads are valid (<http://phoenixcontact.com/download>)




Sensor/actuator flush-type connector, male, 4-pos., M8, rear/screw mounting with M8 thread, with polarity protection, with angled solder connection

## Why buy this product

- ✔ Standard pin assignments and codings for signal transmission with a uniform design-in design



## Key Commercial Data

Packing unit	20 STK
Minimum order quantity	20 STK
GTIN	 4 046356 480888
GTIN	4046356480888
Weight per Piece (excluding packing)	4.500 g
Custom tariff number	85366990
Country of origin	Germany
Note	Made to Order (non-returnable)

## Technical data

### Ambient conditions

Ambient temperature (operation)	-25 °C ... 85 °C
Degree of protection	IP67

### General

Rated current at 40°C	4 A
Rated voltage	50 V AC 60 V DC
Number of positions	4
Insulation resistance	≥ 100 MΩ
Coding	A - standard
Standards/regulations	M8 connector IEC 61076-2-104

# Flush-type connector - SACC-DSIV-M 8MS-4CON-L 90 - 1440096

## Technical data

### General

Status display	No
Overvoltage category	II
Degree of pollution	3
Connection method	Solder pins
Mounting type	Rear mounting M8 x 1 With flat nut

### Material

Flammability rating according to UL 94	HB
Contact material	Cu alloy
Contact surface material	Au
Contact carrier material	PA 66
Material, knurts	Nickel-plated brass
Sealing material	NBR

### Cable

Standards/specifications	M8 connector IEC 61076-2-104
--------------------------	------------------------------

### Standards and Regulations

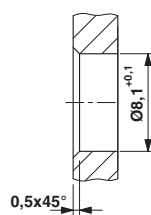
Standard designation	M8 connector
Standards/regulations	IEC 61076-2-104
Flammability rating according to UL 94	HB

### Environmental Product Compliance

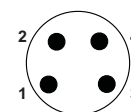
China RoHS	Environmentally Friendly Use Period = 50
	For details about hazardous substances go to tab "Downloads", Category "Manufacturer's declaration"

## Drawings

Dimensional drawing



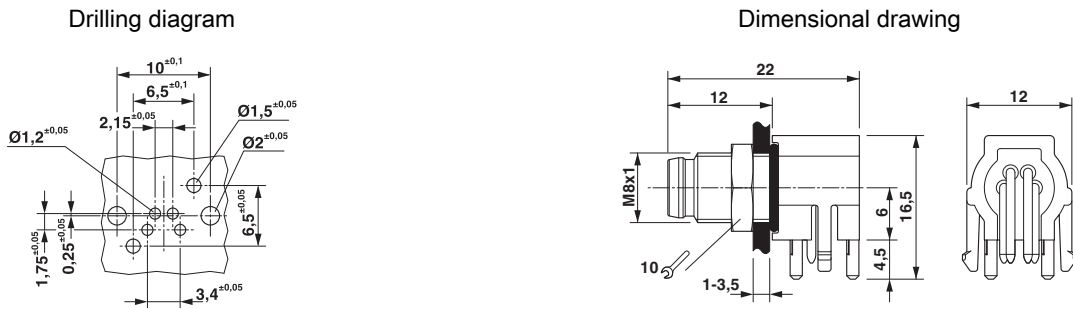
Schematic diagram



Pin assignment M8 plug, 4-pos., view male side

Mounting panel with feed-through hole

# Flush-type connector - SACC-DSIV-M 8MS-4CON-L 90 - 1440096



Drilling diagram

M8 flush-type plug

## Classifications

eCl@ss

eCl@ss 4.0	27250313
eCl@ss 4.1	27250313
eCl@ss 5.0	27143423
eCl@ss 5.1	27143423
eCl@ss 6.0	27143423
eCl@ss 7.0	27449001
eCl@ss 8.0	27440103
eCl@ss 9.0	27440102

ETIM

ETIM 3.0	EC002061
ETIM 4.0	EC002061
ETIM 5.0	EC002061
ETIM 6.0	EC002061

UNSPSC

UNSPSC 6.01	31251501
UNSPSC 7.0901	31251501
UNSPSC 11	31251501
UNSPSC 12.01	31251501
UNSPSC 13.2	39121413

## Approvals

Approvals

Approvals

EAC


Ex Approvals

## Flush-type connector - SACC-DSIV-M 8MS-4CON-L 90 - 1440096

### Approvals

---

#### Approval details

EAC		B.01742
-----	---	---------

---