

Würth Elektronik eiSos GmbH & Co. KG

EMC & Inductive Solutions

Max-Eyth-Straße 1 · 74638 Waldenburg · Germany

Tel. +49 (0) 79 42 945-0 · Fax +49 (0) 79 42 945-400

eiSos@we-online.de · www.we-online.de



## Product/Process Change Notice (PCN)

- Major change  
 Minor change

PCN #: WE\_HCF\_20171003

Product Affected: WE-HCF sizes 2818

PCN Date: July, 3rd 2017

Effective Date: October, 3rd 2017

Contact: Product Management

Phone: +49 (0) 7942 - 945 5001

Fax: +49 (0) 7942 - 945 5179

E-mail: pcn.eisos@we-online.de

- Product Mark  
 Date Code  
 Packaging  
 Others

Attachment:  Yes  No

Samples:

### DESCRIPTION AND PURPOSE OF CHANGE:

Due to an improvement of the production capability, Würth Elektronik will change some mechanical parameters and associated tolerances. This is related to a partial automation of the production process which leads to an accuracy improvement.

The following part numbers will be affected by this change:

#### HCF-2818

7443640330  
7443640470  
7443640680  
7443641000  
7443641500  
7443642200  
7443643300

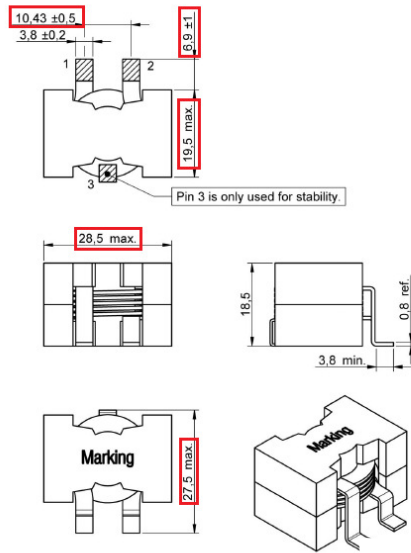
Products after product change with effective date of October, 3rd 2017 are available with Date Code 2017-10-03

There will be no change in form, quality or reliability of the product.

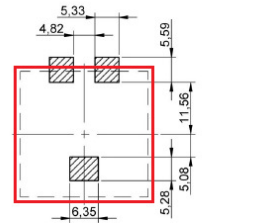
**DETAIL OF CHANGE:**

**BEFORE**

**A Dimensions: [mm]**



**B Recommended land pattern: [mm]**



Scale - 1:1

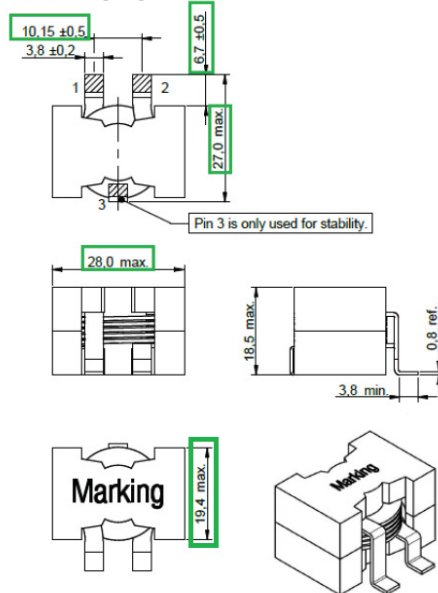
**C Schematic:**



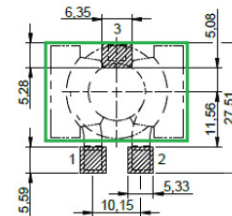
Scale - 1:1

**AFTER**

**Dimensions: [mm]**



**Recommended Land Pattern: [mm]**



**Schematic:**



Würth Elektronik eiSos GmbH & Co. KG

EMC & Inductive Solutions

Max-Eyth-Straße 1 · 74638 Waldenburg · Germany

Tel. +49 (0) 79 42 945-0 · Fax +49 (0) 79 42 945-400

eiSos@we-online.de · www.we-online.de



**RELIABILITY / QUALIFICATION SUMMARY:**

Product approval is according to the specification and is internally released by the Product Management Department.

**DATA SHEET CHANGE:**

Yes

No