

## Panel mounting frames - VS-PPC-F1-RJ45-MNNA-1C-F - 1405222


Please be informed that the data shown in this PDF Document is generated from our Online Catalog. Please find the complete data in the user's documentation. Our General Terms of Use for Downloads are valid (<http://phoenixcontact.com/download>)



RJ45 panel mounting frame, IP67, for push-pull interlocking, metal, with Freenet system, for round mounting cutout, with seal



### Key Commercial Data

Packing unit	1 STK
GTIN	 4 046356 334792
GTIN	4046356334792
Weight per Piece (excluding packing)	53.900 g
Custom tariff number	85389099
Country of origin	Germany

### Technical data

#### Mechanical characteristics

Locking type	Push Pull
Insertion/withdrawal cycles	>= 100
Color	silver
Degree of protection	IP65/IP67
Design	RJ45, IP65/67, version 14

#### Ambient conditions

Ambient temperature (operation)	-40 °C ... 70 °C
---------------------------------	------------------

#### Material data

Housing material	Zinc die-cast
Housing surface material	Nickel-plated
Material	Metal
Sealing material	NBR

#### Electrical characteristics

# Panel mounting frames - VS-PPC-F1-RJ45-MNNA-1C-F - 1405222

## Technical data

### Electrical characteristics

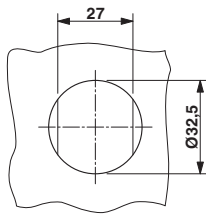
Degree of pollution	2
---------------------	---

### Environmental Product Compliance

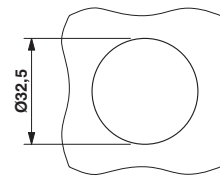
China RoHS	Environmentally Friendly Use Period = 50
	For details about hazardous substances go to tab "Downloads", Category "Manufacturer's declaration"

## Drawings

Drilling diagram



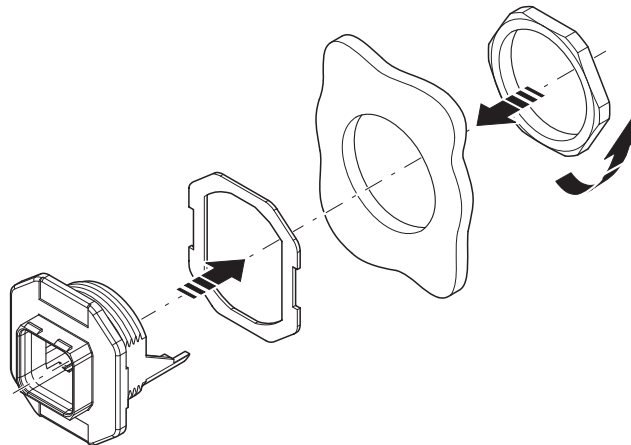
Dimensional drawing



Panel cutout

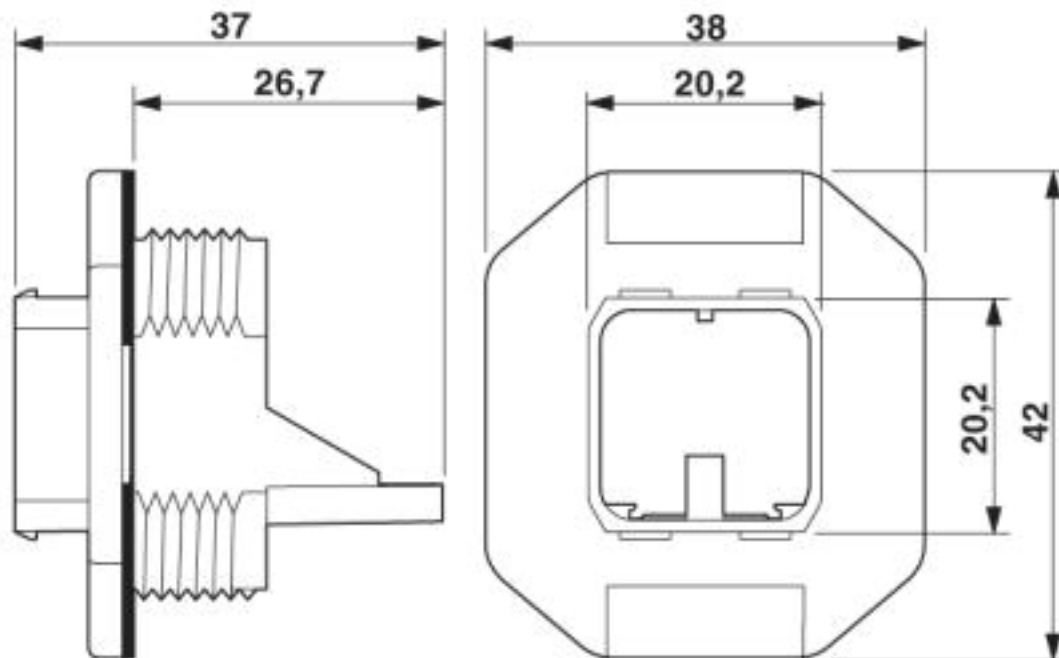
Panel cutout

Explosion drawing



## Panel mounting frames - VS-PPC-F1-RJ45-MNNA-1C-F - 1405222

Dimensional drawing



Push-Pull panel mounting frame, Freenet system, IP67

### Classifications

eCl@ss

eCl@ss 4.0	272607xx
eCl@ss 4.1	27260701
eCl@ss 5.0	27260701
eCl@ss 5.1	27260701
eCl@ss 6.0	27261207
eCl@ss 7.0	27440210
eCl@ss 8.0	27440210
eCl@ss 9.0	27440210

ETIM

ETIM 3.0	EC002310
ETIM 4.0	EC002310
ETIM 5.0	EC002310
ETIM 6.0	EC002310

UNSPSC

UNSPSC 6.01	31261501
UNSPSC 7.0901	31261501
UNSPSC 11	31261501
UNSPSC 12.01	31261501

# Panel mounting frames - VS-PPC-F1-RJ45-MNNA-1C-F - 1405222

## Classifications

### UNSPSC

UNSPSC 13.2	39121421
-------------	----------

## Approvals

### Approvals

---

### Approvals

EAC

---

### Ex Approvals

---

## Approval details

EAC		EAC-Zulassung
-----	--	---------------

## Accessories

### Accessories

#### Female insert

RJ45 coupling - VS-08-BU/BU-RJ45-F - 1405617



RJ45 coupling, Degree of protection: IP20, Number of positions: 8, 1 Gbps, CAT5 (IEC 11801:2002), Material: Copper alloy, for VS-08 and push-pull panel mounting frames

---

RJ45 coupling - CUC-F-D1ZNI-S/R4GC8 - 1419022



RJ45 coupling, Degree of protection: IP20, Number of positions: 8, 1 Gbps, CAT6, Material: Zinc die-cast, Connection method: Female

---

## Panel mounting frames - VS-PPC-F1-RJ45-MNNA-1C-F - 1405222

### Accessories

RJ45 socket insert - CUC-F-J1ZNI-S/R4IDC8 - 1418984



RJ45 socket insert, Degree of protection: IP20, Number of positions: 8, 10 Gbps, CAT6<sub>A</sub>, Material: Zinc die-cast, Connection method: IDC connection, Connection cross section: AWG 26-22