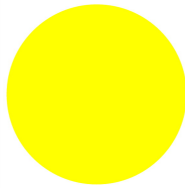




Part no.
Article no.
Catalog No.



M30C-FDL-Y
182928
M30I-FDL-Y

Delivery program

| | | | |
|---|---|--|--|
| Product range | | | RMQ-Titan |
| Basic function | | | Illuminated pushbutton actuators |
| Single unit/Complete unit | | | Single unit |
| Design | | | Flat |
| | | | momentary |
| Button plate | | | |
| button plate | | | yellow |
| Button plate | | |  |
| | | | Blank |
| Degree of Protection | | | IP67, IP69K |
| Front ring | | | Metal bezel |
| Connection to SmartWire-DT | | | Yes, with SWD-RMQ connections |
| Actuator travel and actuation force as per DIN EN 60947-5-1, K.5.4.1 | | | |
| Minimum force for positive opening | N | | 0 |
| Front dimensions | | | Ø 36 mm |

Technical data

General

| | | | |
|-----------------------------|--------------|---------------|--|
| Standards | | | IEC/EN 60947 VDE 0660 |
| Lifespan, mechanical | Operations | $\times 10^6$ | > 5 |
| Operating frequency | Operations/h | |  3600 |
| Actuating force | | n |  5 |
| Climatic proofing | | | Damp heat, constant, to IEC 60068-2-78 Damp heat, cyclic, to IEC 60068-2-30 |
| Degree of Protection | | | IP67, IP69K |
| Ambient temperature | | | |
| Open | | °C | -25 - +70 |
| Mounting position | | | As required |
| Mechanical shock resistance | | g | 15 Shock duration 11 ms Sinusoidal according to IEC 60068-2-27 |

Design verification as per IEC/EN 61439

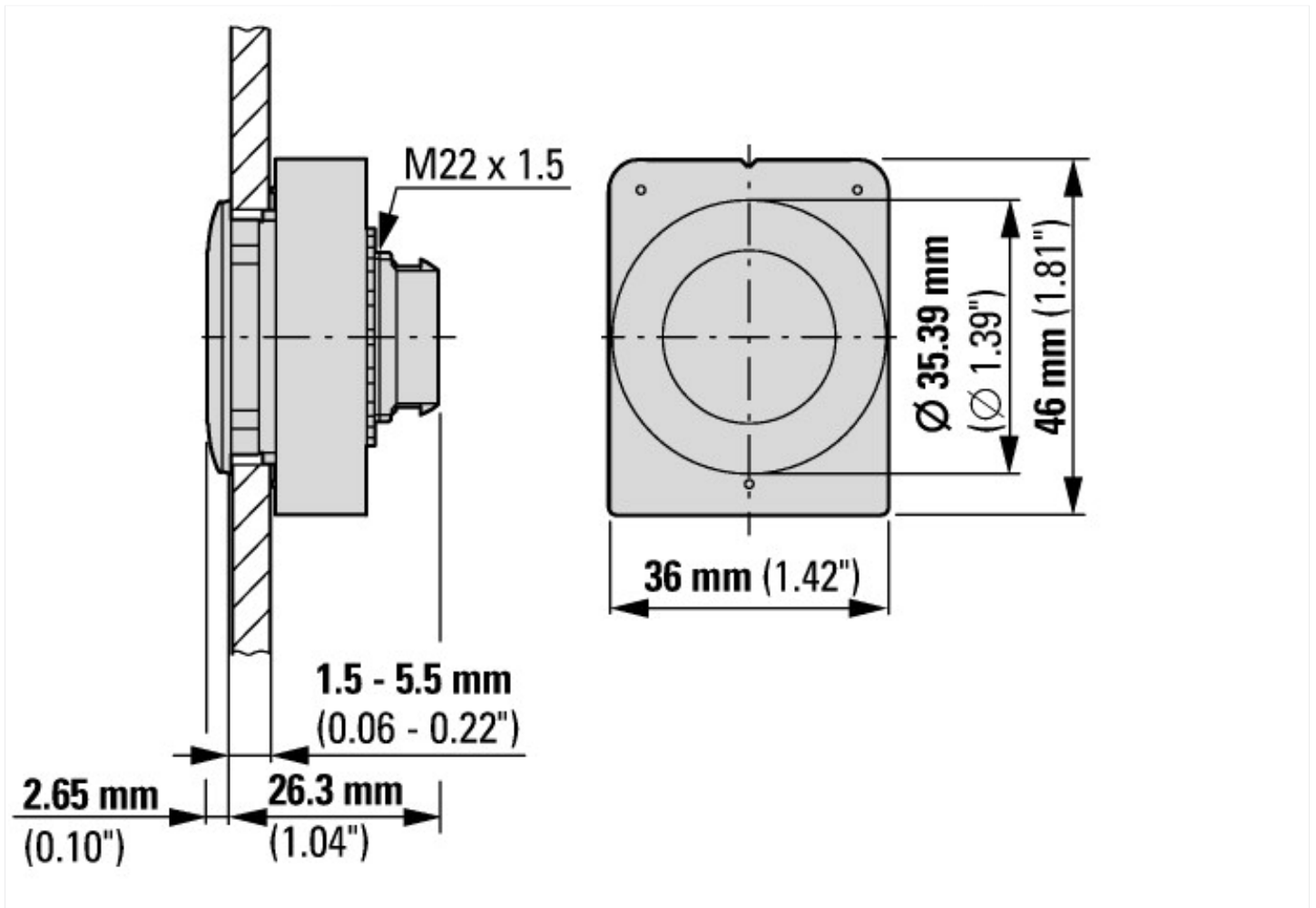
| | | | |
|--|--|----|-----|
| Technical data for design verification | | | |
| Operating ambient temperature min. | | °C | -25 |
| Operating ambient temperature max. | | °C | 70 |

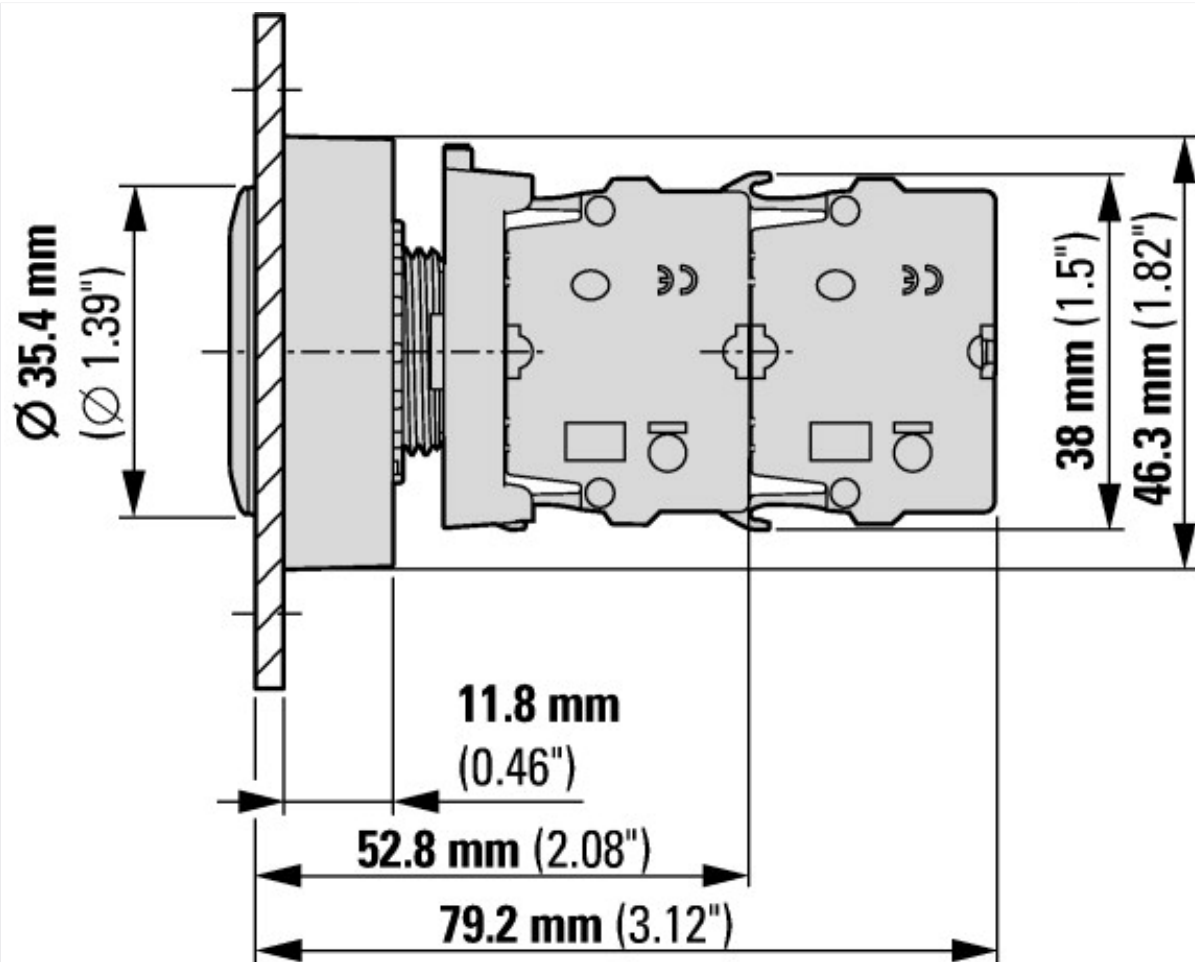
Technical data ETIM 6.0

| | |
|--|--|
| Low-voltage industrial components (EG000017) / Front element for push button (EC000221) | |
| Electric engineering, automation, process control engineering / Low-voltage switch technology / Command and alarm device / Front element for push-button actuators (ecl@ss8.1-27-37-12-10 [AKF028011]) | |

| | | |
|---------------------------------------|----|--------|
| Colour button | | Yellow |
| Number of command positions | | 1 |
| Construction type lens | | Round |
| Hole diameter | mm | 30 |
| Width opening | mm | 0 |
| Height meter opening | mm | 0 |
| Degree of protection (IP), front side | | IP67 |
| Type of button | | Flat |
| Suitable for illumination | | Yes |
| With protection cover | | No |
| Labelled | | No |
| Switching function latching | | No |
| Spring-return | | Yes |
| With front ring | | Yes |
| Material front ring | | Metal |
| Colour front ring | | Chrome |

Dimensions

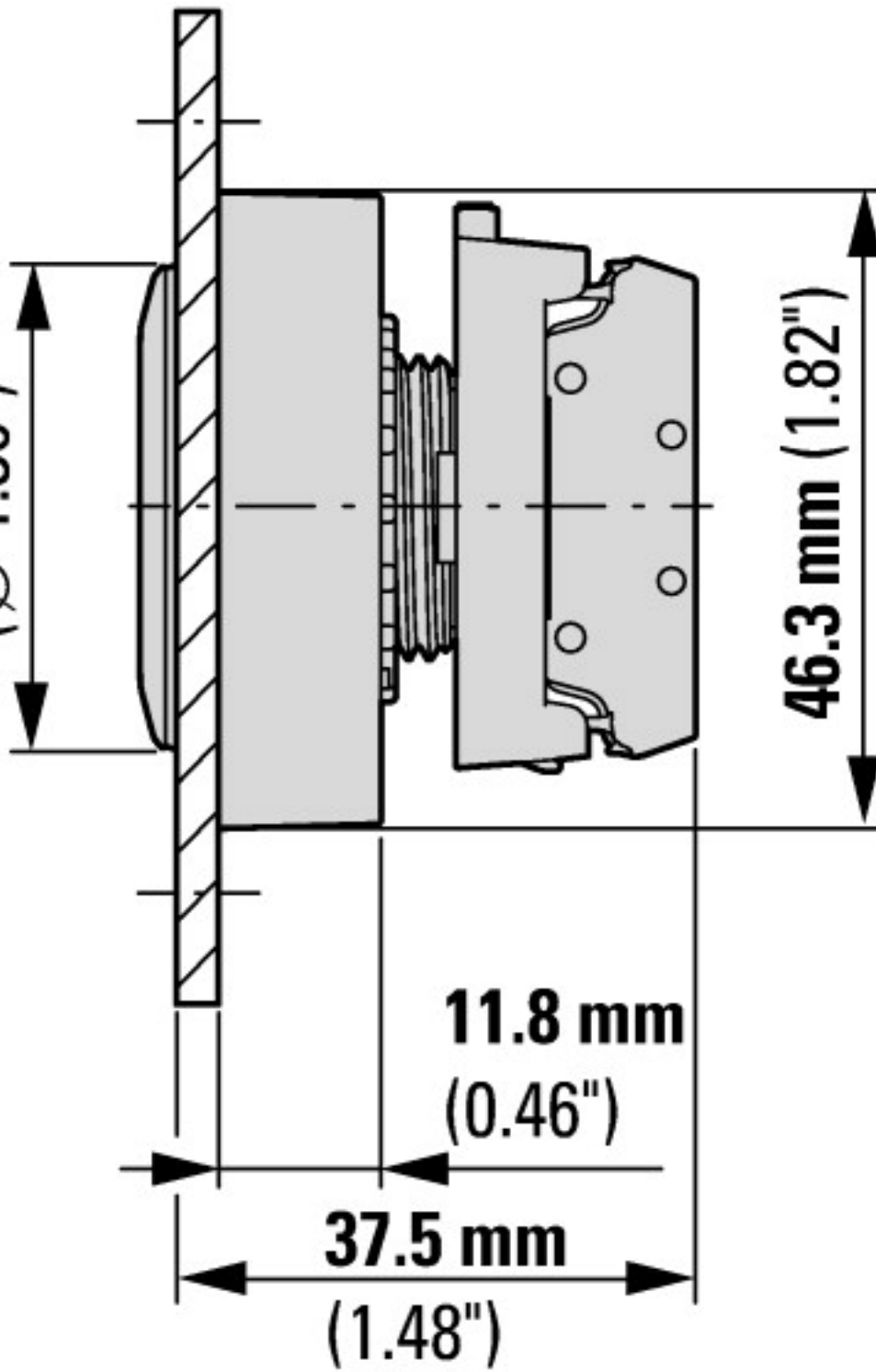




with 2 M22-K... standard contact elements

Ø 35.4 mm

(Ø 1.39")



46.3 mm (1.82")

**11.8 mm
(0.46")**

**37.5 mm
(1.48")**

with M22-FK... flat rear contact elements