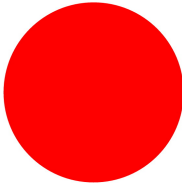




**Part no.**  
**Article no.**  
**Catalog No.**



**M30C-FDR-R**  
**182944**  
**M30I-FDR-R**

## Delivery program

|   |   |  |  |
|---|---|--|--|
| Product range   |   |  | RMQ-Titan  |
| Basic function  |   |  | Pushbutton actuators   |
| Single unit/Complete unit   |   |  | Single unit  |
| Design  |   |  | Flat<br>maintained   |
| <b>Button plate</b>   |   |  |  |
| button plate  |   |  | red  |
| Button plate  |   |  |  |
|   |   |  | Blank  |
| Degree of Protection  |   |  | IP67, IP69K  |
| Front ring  |   |  | Metal bezel  |
| Connection to SmartWire-DT  |   |  | Yes, with SWD-RMQ connections  |
| <b>Actuator travel and actuation force as per DIN EN 60947-5-1, K.5.4.1</b> |   |  |  |
| Minimum force for positive opening  | N |  | 0  |
| Front dimensions  |   |  | Ø 36 x 3 mm  |
| <b>Instructions</b>   |   |  | Stay-put/spring-return function can be changed on device                           |

## Technical data

### General

|                             |              |                   |  |
|-----------------------------|--------------|-------------------|--|
| Standards                   |              |                   | IEC/EN 60947<br>VDE 0660   |
| Lifespan, mechanical        | Operations   | x 10 <sup>6</sup> | > 1  |
| Operating frequency         | Operations/h |                   |  1800 |
| Actuating force             |              | n                 |  5    |
| Climatic proofing           |              |                   | Damp heat, constant, to IEC 60068-2-78<br>Damp heat, cyclic, to IEC 60068-2-30           |
| Degree of Protection        |              |                   | IP67, IP69K  |
| Ambient temperature         |              |                   |  |
| Open                        |              | °C                | -25 - +70  |
| Storage                     |              | °C                | -40 - +80  |
| Mounting position           |              |                   | As required  |
| Mechanical shock resistance |              | g                 | 15<br>Shock duration 11 ms<br>Sinusoidal<br>according to IEC 60068-2-27                  |

## Design verification as per IEC/EN 61439

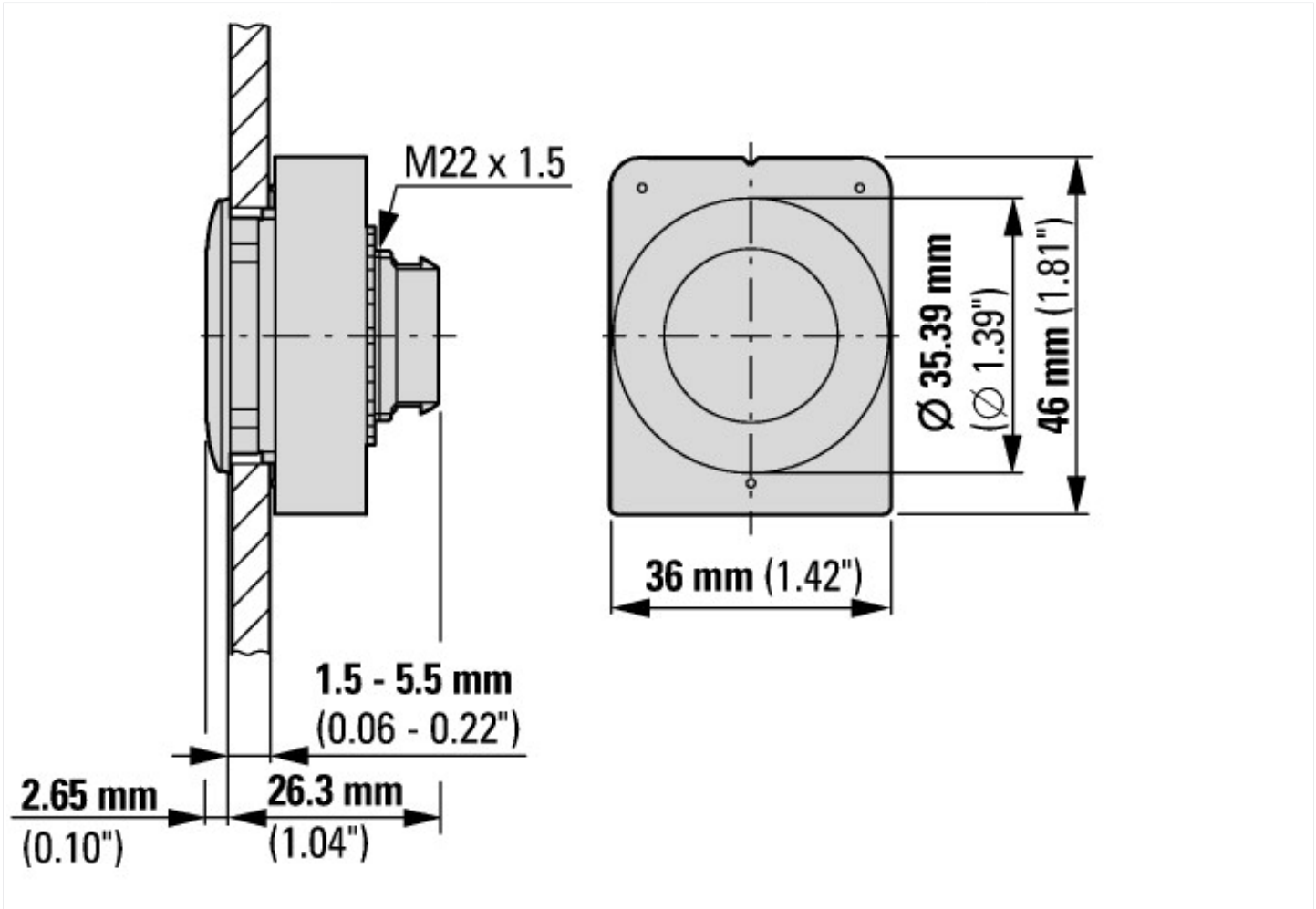
|  |  |    |     |
|--|--|----|-----|
| Technical data for design verification |  |    |     |
| Operating ambient temperature min.     |  | °C | -25 |
| Operating ambient temperature max.     |  | °C | 70  |

## Technical data ETIM 6.0

Low-voltage industrial components (EG000017) / Front element for push button (EC000221)

|                                       |    |        |
|---------------------------------------|----|--------|
| Colour button                         |    | Red    |
| Number of command positions           |    | 1      |
| Construction type lens                |    | Round  |
| Hole diameter                         | mm | 30     |
| Width opening                         | mm | 0      |
| Height meter opening                  | mm | 0      |
| Degree of protection (IP), front side |    | IP67   |
| Type of button                        |    | Flat   |
| Suitable for illumination             |    | No     |
| With protection cover                 |    | No     |
| Labelled                              |    | No     |
| Switching function latching           |    | Yes    |
| Spring-return                         |    | No     |
| With front ring                       |    | Yes    |
| Material front ring                   |    | Metal  |
| Colour front ring                     |    | Chrome |

## Dimensions

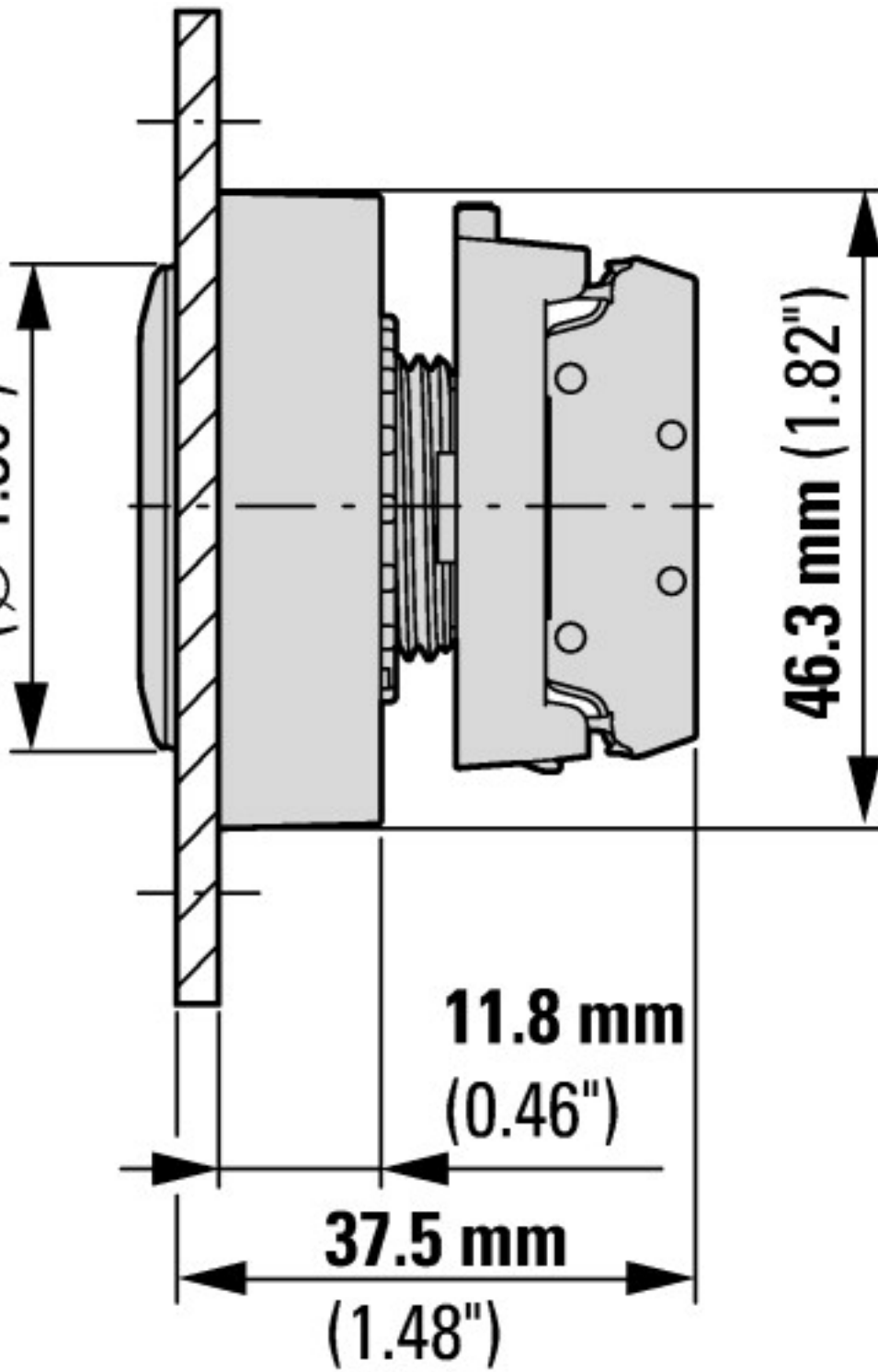




with 2 M22-K... standard contact elements

**Ø 35.4 mm**

**(Ø 1.39")**



with M22-FK... flat rear contact elements