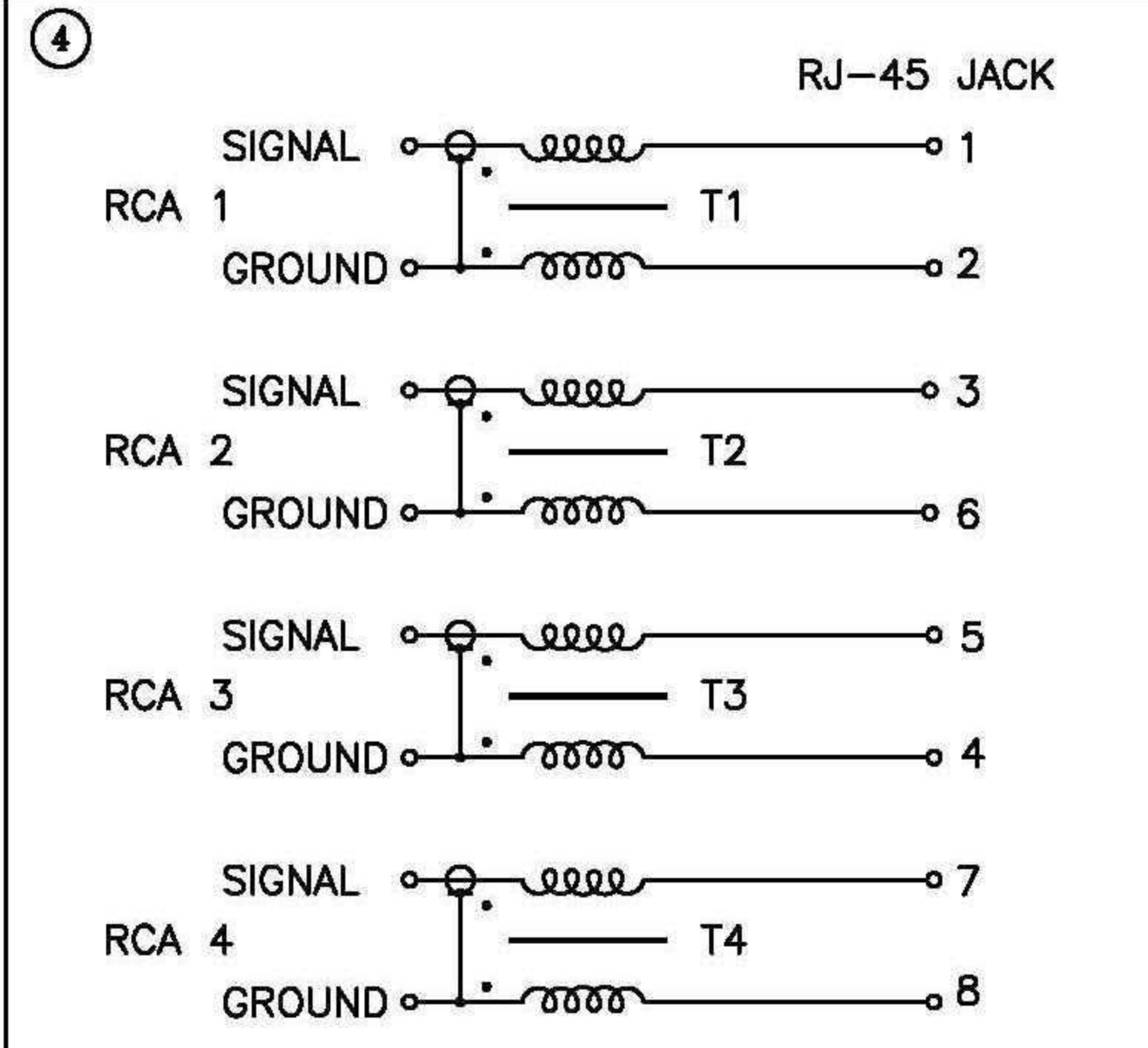
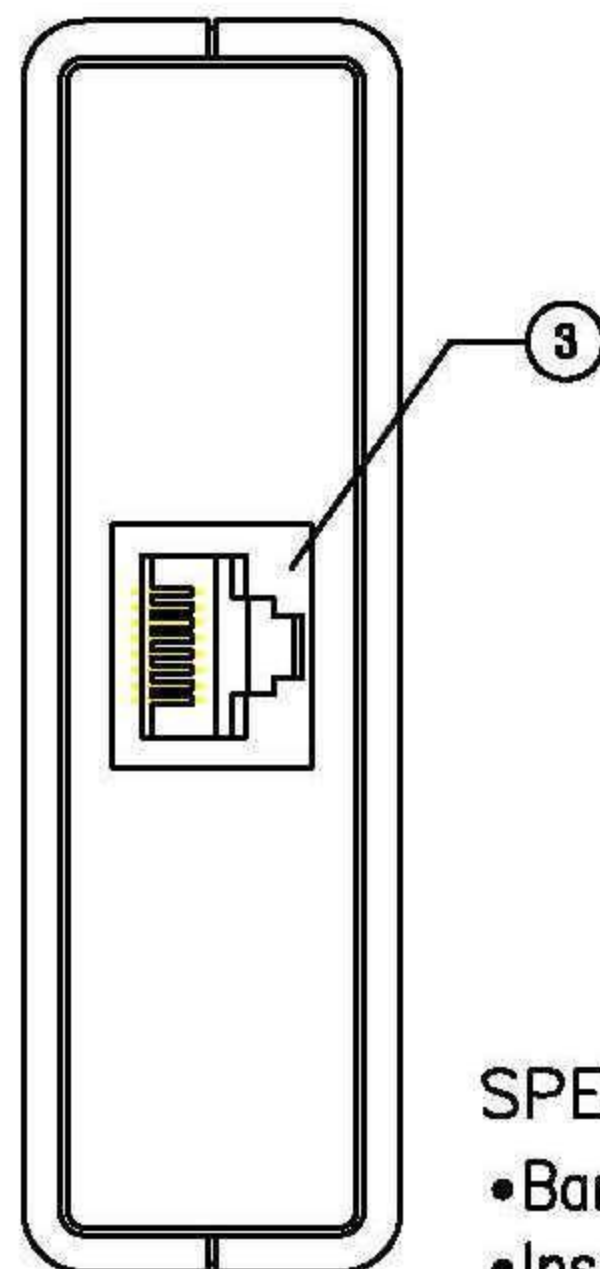
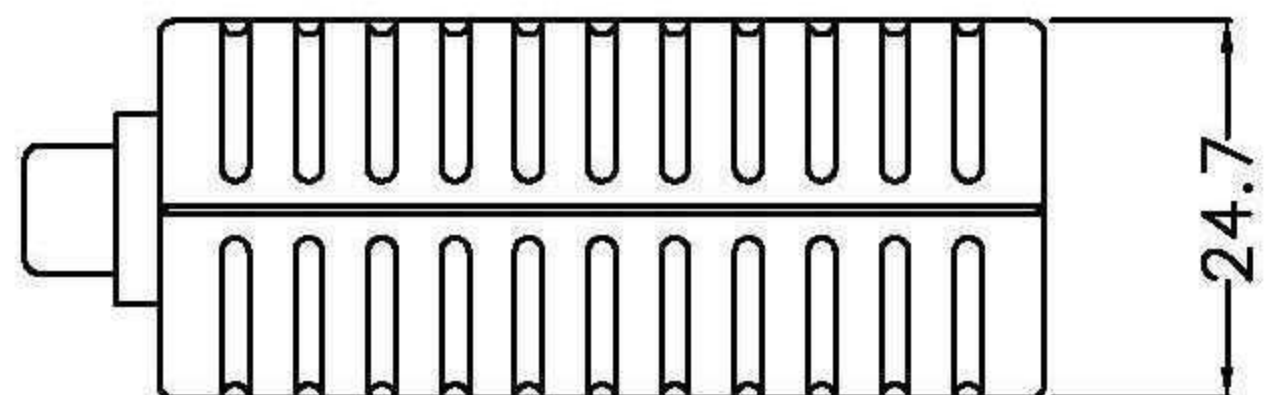
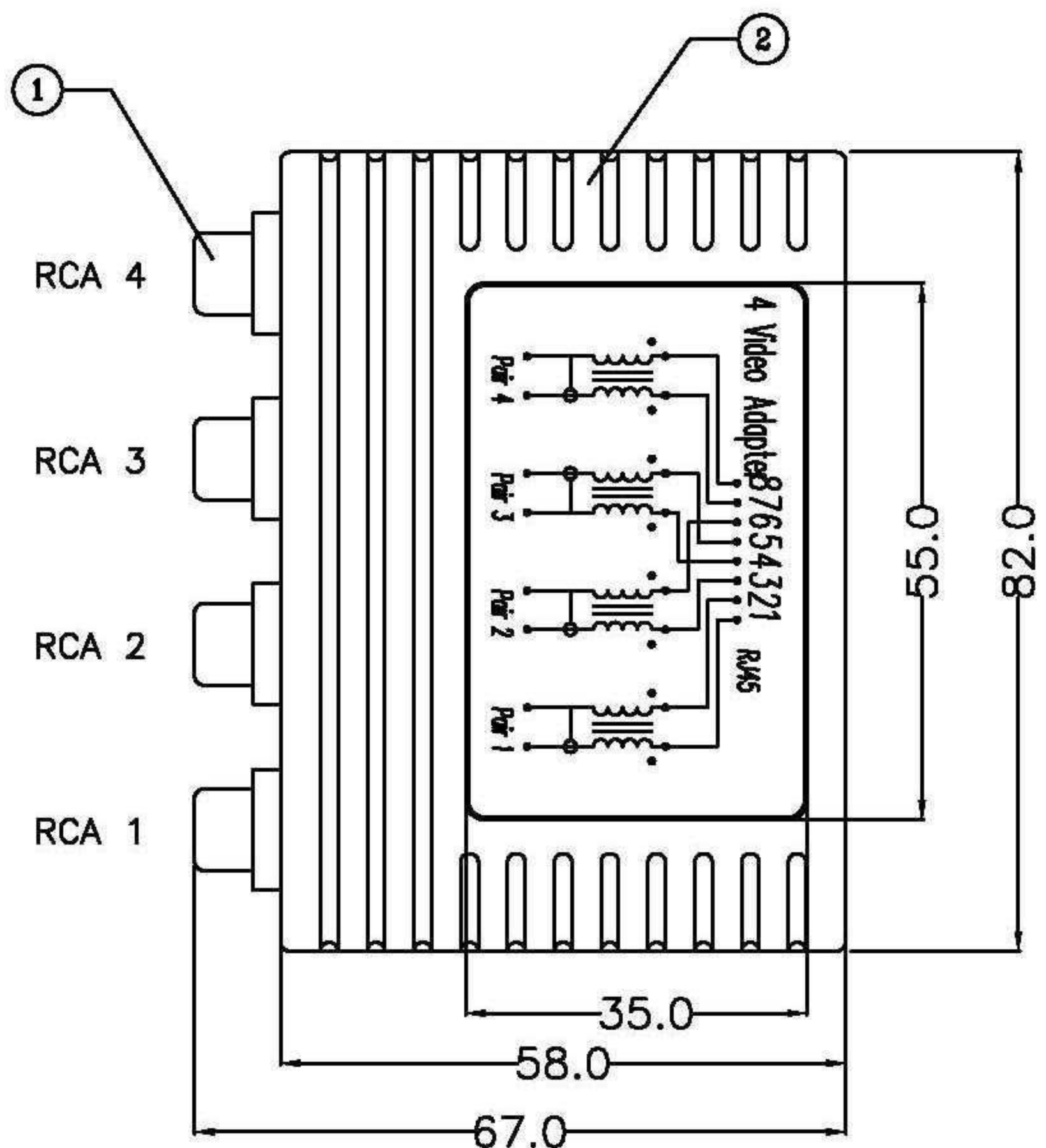


FILE NO.

MCM CUSTOM AUDIO



SPECIFICATION:

- Bandwidth : Video DC TO 8MHz
- Insertion Loss : ≤ 2dB over the frequency range from DC to 8 MHz
- Return Loss : ≥15dB over the frequency range from DC to 8 MHz
- Common Mode Rejection : ≥40dB at 8 MHz
- Impedance : 75 ohms
- Cable : 24 AWG or lower solid copper twisted pair wire
 Impedance: 100 ohms at 1MHz
 Max. Capacitance: 20 pf/ft
 Attenuation: 6.6 dB/1000ft at 1MHz
- Transmission Distatance : 2200 feet (Cat.5 UTP)

4	1 Set	PCB SET [(TRANSFORMER 1:1) x 4]	
3	1 Set	PCB TYPE SHIELDED JACK, GOLD 50u"	
2	1 Set	PLASTIC SET(TOP, BOTTOM,SIDE COVER)	ABS UL94V-0
1	4 PCS	RCA CONNECTOR FEMALE SOLDER TYPE	
NO.	Q'TY	MATERIAL	NOTE

UNIT: mm

TITLE: **CCTV TRANSCEIVER BOX**
4 x RCA Female TO 1 x RJ45 Jack

TOLERANCE
 .X ±0.25
 .XX ±0.1
 .XXX ±0.05
 ANGLES ±1°

MCM Item #50-7768
www.mcmelectronics.com

DWG NO. **03-B239-00**

SCALE: 1/1 SHEET of REVISION DATE

DRAWN **Stephen-Lin** DATE **04/20/2004**

CHECKED DATE

APPROVED DATE