

Features

Unregulated Converters

- Low Cost
- 1:1 Input Voltage Range
- Efficiency up to 81%
- 4kVDC/1 second Isolation
- IEC/EN/UL Certified

Description

The RKE/H DC/DC converters are typically used in cost sensitive general purpose power isolation and voltage matching applications. Despite their low cost, they are fully specified converters with 4kVdc isolation, industrial operating temperature range of -40°C to +85°C without derating and UL/EN certifications.

Selection Guide

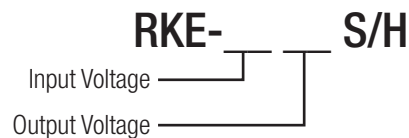
Part Number	Input Voltage [VDC]	Output Voltage [VDC]	Output Current [mA]	Efficiency typ. ⁽¹⁾ [%]	max. Capacitive Load ⁽²⁾ [µF]
RKE-0505S/H	5	5	200	75	1000
RKE-1205S/H	12	5	200	80	1000
RKE-2405S/H	24	5	200	81	1000

Notes:

Note1: Values at nominal input voltage and full load.

Note2: Test by minimum Vin and constant resistor load.

Model Numbering



Ordering Examples:

RKE-0505S/H, 5Vin and 5Vout, Single Output

RKE-2405S/H, 24Vin and 5Vout, Single Output

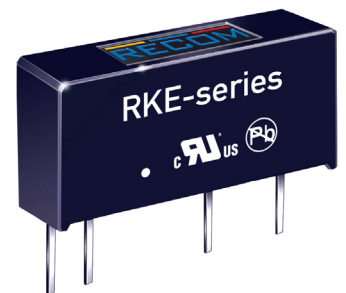
Specifications (measured at ta= 25°C, nominal input voltage, full load, otherwise noted)

BASIC CHARACTERISTICS				
Parameter	Condition	Min.	Typ.	Max.
Input Voltage Range		-10%		+10%
Input Filter	internal capacitors			
Operating Frequency			80kHz	
Minimum Load		0%		
Output Ripple and Noise	measured with 20MHz bandwidth and a 0.1µF ceramic capacitor		40mVp-p	100mVp-p

continued on next page

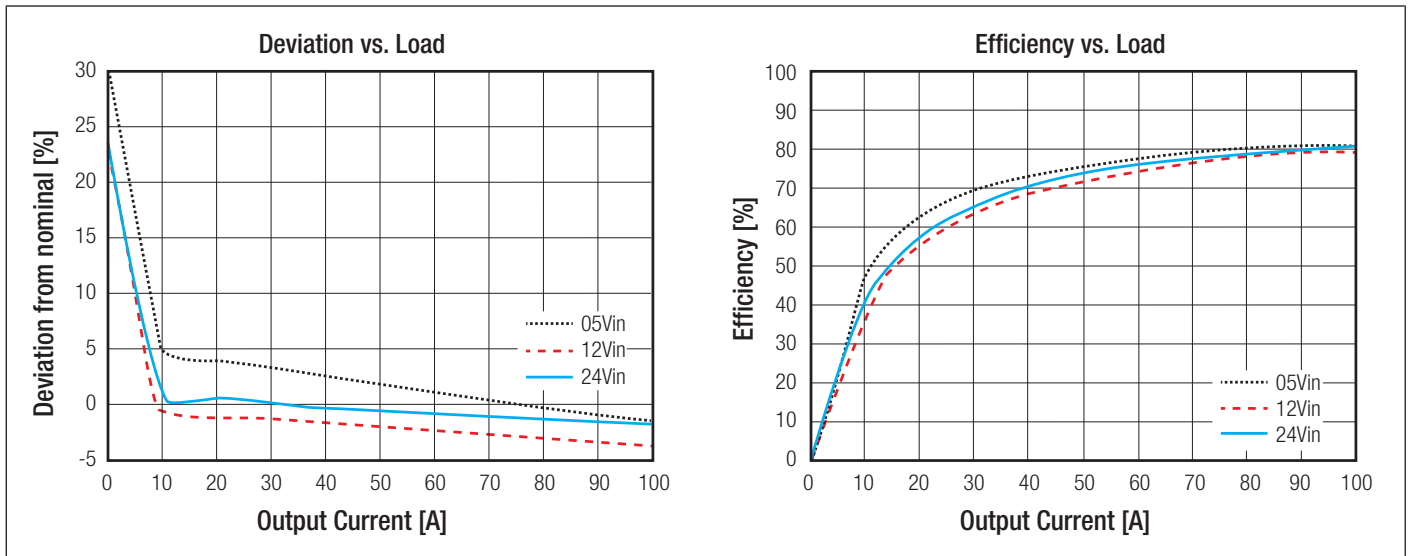
RKE/H

**1 Watt
SIP7
Package**

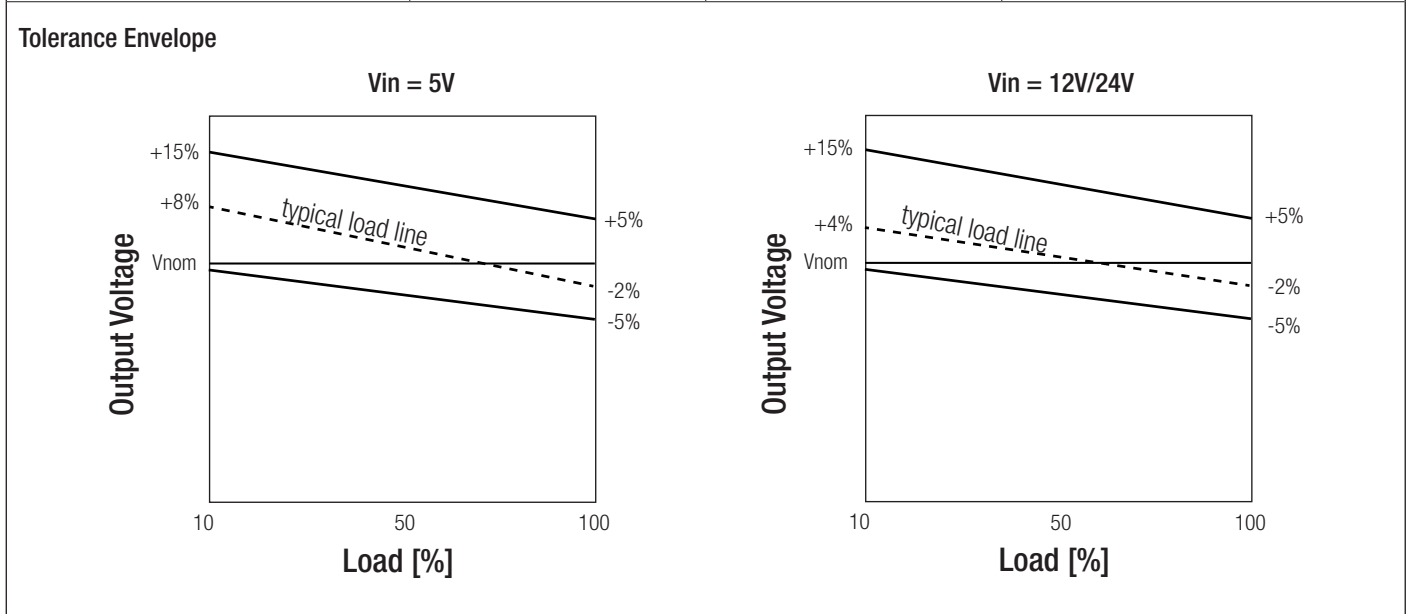


UL60950-1 Certified
CSA/CAN 22.2 No. 60950-1 Certified
IEC/EN60950-1 Certified
EN55022 Compliant

Specifications (measured at $t_a = 25^\circ\text{C}$, nominal input voltage, full load, otherwise noted)



REGULATIONS			
Parameter	Condition		Values
Output Voltage Accuracy			$\pm 5\%$ typ.
Line Voltage Regulation	low line to high line		$\pm 1.2\%$ typ. @1% of V_{in}
Load Voltage Regulation	10% to 100% load	$V_{in} = 5V$	8% typ., 15% max
		$V_{in} = 12V$	3% typ., 15% max
		$V_{in} = 24V$	4% typ., 15% max



PROTECTIONS			
Parameter	Condition		Value
Isolation Voltage ⁽³⁾	I/P to O/P	tested f	4kVDC / 1sec.
Isolation Capacitance			75pF max.
Isolation Resistance			1G Ω min.

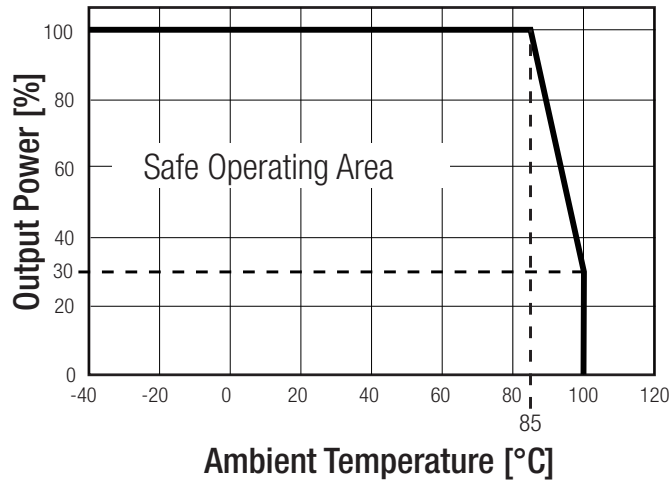
Notes:

Note3: For repeat Hi-Pot testing, reduce the time and/or the test voltage.

Specifications (measured at $t_a = 25^\circ\text{C}$, nominal input voltage, full load, otherwise noted)

ENVIRONMENTAL		
Parameter	Condition	Value
Operating Temperature Range		-40°C to +85°C
Maximum Case Temperature		+105°C
Operating Humidity	non-condensing	5% to 95% RH
Vibration		MIL-STD-202G
MTBF	MIL-HDBK-217F +25°C +85°C	13200 x 10 ³ hrs 5200 x 10 ³ hrs

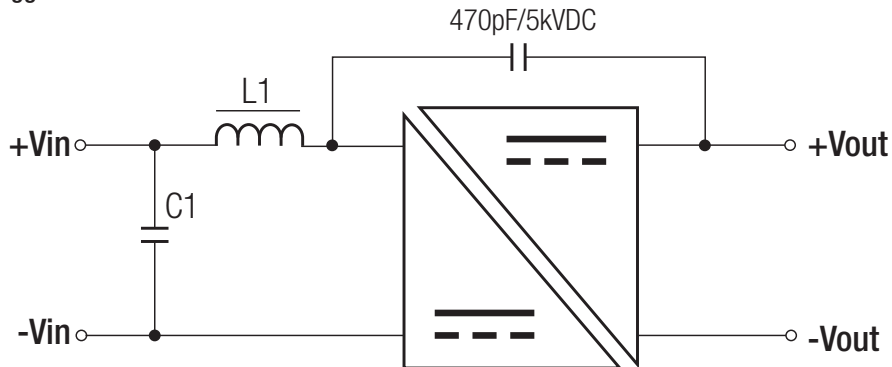
Derating Graph



SAFETY AND CERTIFICATIONS		
Certificate Type	Report / File Number	Standard
IEC/EN General Safety (LVD)	LVD1602031	IEC/EN60950-1, 2nd Edition, 2013
UL General Safety	E358085-A4	UL60950-1, 2nd Edition, 2007
CAN/CSA General Safety		CSA C22.2 No. 60950-1, 2nd Edition, 2007

EMC Compliance	Condition	Standard / Criterion
EMI conducted and radiated emission	with external filter	EN55022, Class B

EMC Class B Filter suggestion



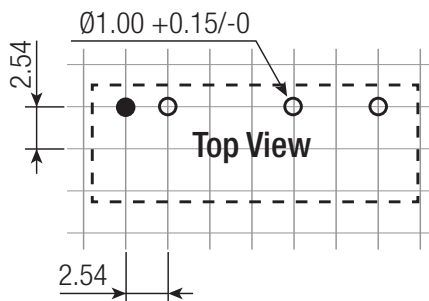
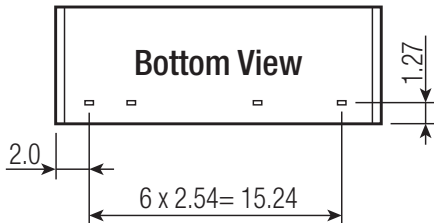
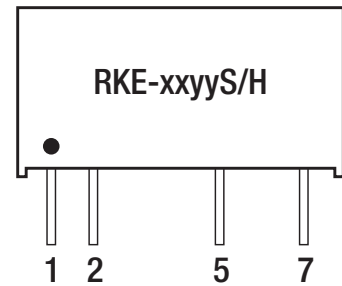
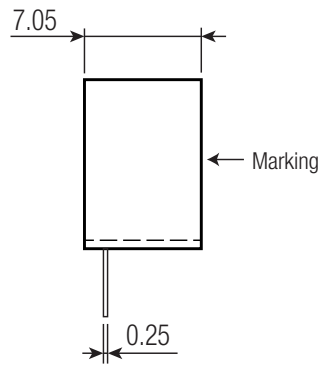
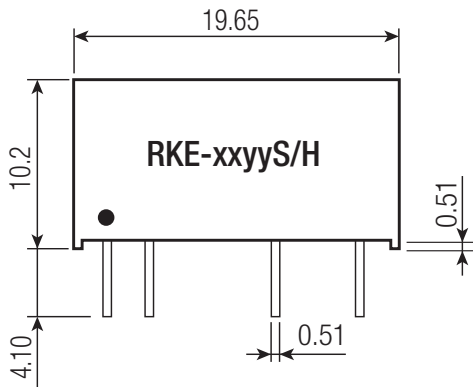
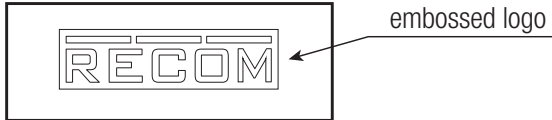
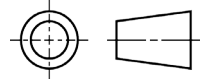
MODEL	C1	L1
RKE-0505S/H	10μF	4.7μH Choke
RKE-1205S/H	4.7μF	22μH Choke
RKE-2405S/H	2.2μF	47μH Choke

Specifications (measured at $t_a = 25^\circ\text{C}$, nominal input voltage, full load, otherwise noted)

DIMENSION and PHYSICAL CHARACTERISTICS

Parameter	Type	Value
Material	Case Potting	black plastic (UL94V-0) Epoxy (UL94V-0)
Package Dimension (LxWxH)		19.65 x 7.05 x 10.2mm
Package Weight		2.7g typ.

Dimension Drawing (mm)



Pin Connections

Pin #	function
1	+Vin
2	-Vin
5	-Vout
7	+Vout

Tolerance: xx.x= ±0.5mm
 xx.xx= ±0.35mm
 Pin dimension: ±0.05mm
 Pin pitch: ±0.25mm

PACKAGING INFORMATION

Packaging Dimension (LxWxH)	Tube	520 x 9.3 x 16.5mm
Packaging Quantity		25pcs
Storage Temperature Range		-55°C to +125°C

The product information and specifications are subject to change without prior notice. RECOM products are not authorized for use in safety-critical applications (such as life support) without RECOM's explicit written consent. A safety-critical application is defined as an application where a failure of a RECOM product may reasonably be expected to endanger or cause loss of life, inflict bodily harm or damage property. The buyer shall indemnify and hold harmless RECOM, its affiliated companies and its representatives against any damage claims in connection with the unauthorized use of RECOM products in such safety-critical applications.