

# Uninsulated Panel Mount Screw Type Beryllium Copper Spring

## SPECIFICATIONS

**Plug Body:** Brass per QQ-B-626D

**Plug Spring:** Beryllium copper per QQ-C-533

**Finish:** Nickel

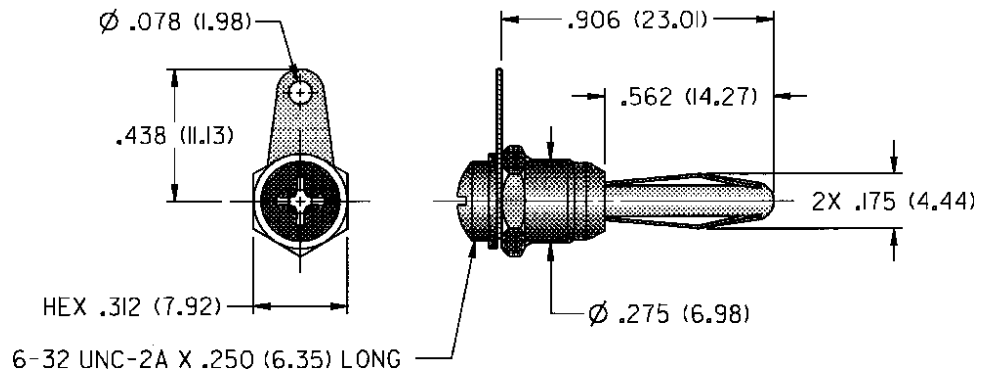
**Panel Thickness:** Up to .156 (4.00)

**Hardware:** Nickel plated nut, stamped tin plated  
solder terminal (unassembled)

## RATINGS

**Current:** 15 amps

**Contact Resistance:** 0.010 ohms maximum



**NICKEL PLATING**

108-0753-102

**For Standard Banana Jack:** .166 (4.23) Diameter

## FEATURES:

- Rugged screw type
- Stamped tin plated solder terminal with hole for up to 14 gauge wire