



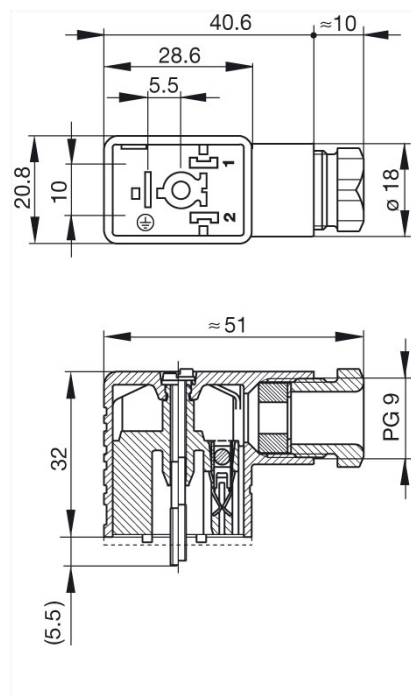
GMN 209 NJ schwarz/black

Industrial Connectors:Rectangular connectors GDM-series:Type B EN 175301-803 (DIN 43650) / ISO 6952:Cable socket

Product description

Description	cable socket with central screw M 3 x 35
Type	GMN 209 NJ schwarz/black
Order No.	932 987-100
Other standard types	grey housing, Order No. 932 987-106
Number of contacts	2 + PE
Cable gland	PG 9
Cable diameter	PG 9
Conductor size	max. 1.5 mm ²
Standard	DIN EN 175 301-803-B
Housing Color	black
Construction type	B

Drawing



Technical data

Pin dimensions	6.3 mm x 0.8 mm
Rated voltage	AC/DC 250 V
Rated current	16 A
Contact resistance	≤ 4 mOhm
Type of termination	screw / cable shoe / cable eye

Suitable cables	4.5 mm to 7 mm diameter
Mounting	central screw
Material	
Contact surface material	Sn
Contact bearer material	PA
Housing material	PA
Environmental conditions	
Protection class (IEC 60529)	IP 65
Pollution severity	3
Temperature range	-40 °C to +125 °C
Inflammability class	
Housing	94 V-1
Contact bearer	94 HB
Approvals	
UR	UR
VDE	VDE
SEV	SEV
CSA	CSA (not for interrupt current)
Packing unit	
Packaging unit	200 pieces
Scope of delivery and accessories	
Accessories to order separately	(NBR) flat gasket GMN 209-3, Order No. 733 273-002; (EPDM) flat gasket GMN 209-12, Order No. 733 271-004; knurled screw GDM 3011-8, Order No. 732 574-001; stainless steel screw GDM 3011 RF-1, Order No. 734 363-001