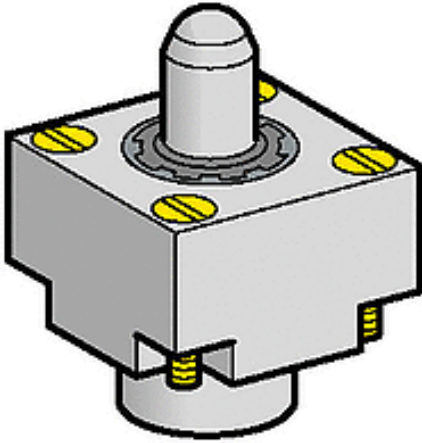


ZCKE66

limit switch head ZCKE - steel ball bearing plunger



Main

Range of product	OsiSense XC
Series name	Standard format
Product or component type	Limit switch head
Device short name	ZCKE
Head type	Plunger head
Product compatibility	XCKJ
Associated body	ZCKJ6H7 ZCKJ2H7 ZCKJ6H29 ZCKJD35H29 ZCKJ1H29 ZCKJD31H7 ZCKJ1H7 ZCKJ21H29 ZCKJD39H29 ZCKJ2H29 ZCKJD37 ZCKJD35H7 ZCKJ5 ZCKJ41H7 ZCKJ7 ZCKJD35 ZCKJ11H7 ZCKJ7H7 ZCKJ5H29 ZCKJ5H7 ZCKJ4H7 ZCKJ11 ZCKJ9H29 ZCKJ8 ZCKJ2 ZCKJ7H29 ZCKJD37H7 ZCKJ4 ZCKJ8H7 ZCKJ21 ZCKJ4H29

Disclaimer: This documentation is not intended as a substitute for and is not to be used for determining suitability or reliability of these products for specific user applications.

ZCKJ41H29
 ZCKJ1
 ZCKJD39H7
 ZCKJ9H7
 ZCKJ41
 ZCKJ8H29
 ZCKJ9
 ZCKJD31H29
 ZCKJ6
 ZCKJ11H29
 ZCKJD39
 ZCKJD37H29
 ZCKJD31
 ZCKJ21H7

Movement of operating head	Linear
Type of operator	End plunger spring return metal (ball bearing mounted)
Type of approach	Multi-directional approach

Complementary

Switch actuation	By 30° cam
Positive opening	With
Head material	Metal

Environment

Ambient air temperature for operation	-25...70 °C
Ambient air temperature for storage	-40...70 °C
Environmental characteristic	Standard environment

Offer Sustainability

Sustainable offer status	Green Premium product
RoHS (date code: YYWW)	Compliant - since 1014 - Schneider Electric declaration of conformity Schneider Electric declaration of conformity
REACH	Reference not containing SVHC above the threshold Reference not containing SVHC above the threshold
Product end of life instructions	Need no specific recycling operations

Contractual warranty

Warranty period	18 months
-----------------	-----------