



### Main

|                           |                                  |
|---------------------------|----------------------------------|
| Range of product          | Harmony 9001K<br>Harmony 9001SK  |
| Product or component type | Empty enclosure                  |
| Device short name         | 9001K                            |
| Number of cut-out         | 1 cut-out                        |
| Cable entry               | 1 entry tapped for 3/4" knockout |

### Complementary

|                     |  |
|---------------------|--|
| Product destination | For Ø 30 mm control and signalling units |
| Material            | Stainless steel                          |
| Product weight      | 1.06 kg                                  |

### Environment

|                                       |  |
|---------------------------------------|--|
| Protective treatment                  | TH   |
| Ambient air temperature for storage   | -40...70 °C                                      |
| Ambient air temperature for operation | -25...70 °C                                      |
| Overvoltage category                  | II conforming to IEC 61140                       |
| NEMA degree of protection             | NEMA 1<br>NEMA 12<br>NEMA 3<br>NEMA 4<br>NEMA 4X |

### Offer Sustainability

|                          |   |
|--------------------------|---|
| Sustainable offer status | Green Premium product   |
| RoHS (date code: YYWW)   | Compliant - since 1230 - Schneider Electric declaration of conformity<br><a href="#">Schneider Electric declaration of conformity</a> |
| REACH                    | Reference not containing SVHC above the threshold   |

Reference not containing SVHC above the threshold

---

|                                  |                                       |
|----------------------------------|---------------------------------------|
| Product environmental profile    | Available                             |
| Product end of life instructions | Need no specific recycling operations |

---

Contractual warranty

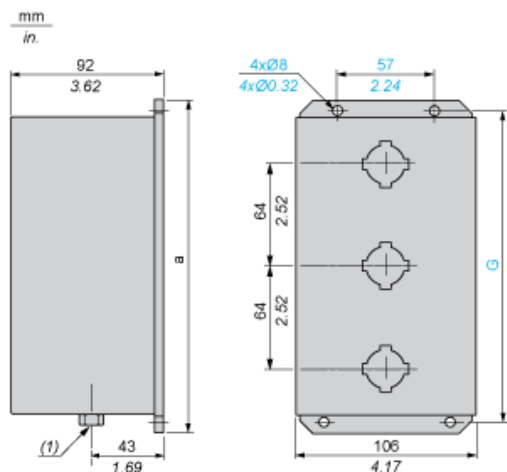
---

|                 |           |
|-----------------|-----------|
| Warranty period | 18 months |
|-----------------|-----------|

---

Dimensions

Below drawing shows a 3-hole enclosure. Refer to the product characteristics to get the number of holes



(1) Knockout conduit thread: 3/4".

| a   |      | G   |      |
|-----|------|-----|------|
| mm  | in.  | mm  | in.  |
| 133 | 5.24 | 117 | 4.61 |