

### Main

Range of product	Zelio Relay
Product or component type	Solid state relay
Device short name	SSL
Network number of phases	1 phase

### Complementary

Mounting support	Socket
[In] rated current	3.5 A
Output voltage	1...24 V DC
Control circuit voltage	15...30 V DC
Contacts type and composition	1 NO
Capacitance unbalance	<= 1.5 pF input/output
Switching voltage	<= 10 V DC turn-off >= 15 V DC turn-on
Input current limits	7 mA
Input impedance	3500 Ohm
Solid state output type	DC switching Mosfet output
Load current	0.001...3.5 A
Absolute maximum voltage	30 V
Maximum operating frequency	500 Hz
Surge current	<= 9 A for 10 ms
Voltage drop	<= 0.5 V on-state
Leakage current	<= 0.001 mA off-state
Response time	0.12 ms turn-on 0.1 ms turn-off
Overvoltage category	III
Width	5 mm

Disclaimer: This documentation is not intended as a substitute for and is not to be used for determining suitability or reliability of these products for specific user applications

Height	28 mm
Depth	15 mm
Product weight	0.0041 kg

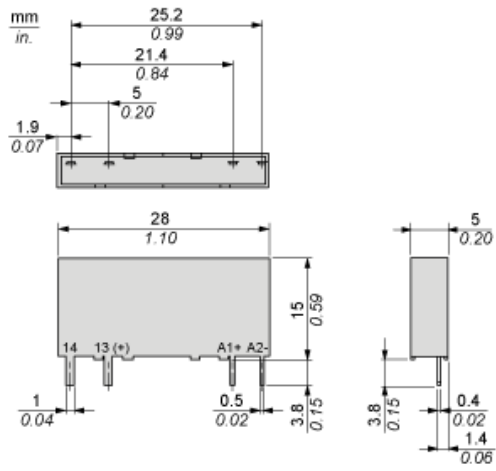
## Environment

Flame retardance	V0 conforming to UL 94
Dielectric strength	2500 V for input/output
Pollution degree	2
Standards	IEC 61000 IEC 62314 IEC 60950-1
Product certifications	UL REACH CSA RoHS
Marking	CE
IP degree of protection	IP67
Ambient air temperature for operation	-20...80 °C
Ambient air temperature for storage	-20...85 °C

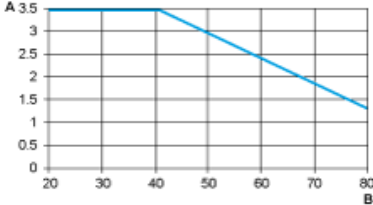
## Offer Sustainability

Sustainable offer status	Green Premium product
RoHS (date code: YYWW)	Compliant - since 1328 - Schneider Electric declaration of conformity <a href="#">Schneider Electric declaration of conformity</a>
REACH	Reference not containing SVHC above the threshold <a href="#">Reference not containing SVHC above the threshold</a>
Product environmental profile	Available <a href="#">Product environmental</a>
Product end of life instructions	Need no specific recycling operations

Dimensions



Derating Curves



A : Load Current (Amperes)  
B : Ambient Temperature (°C)