

Main

| | |
|---------------------------|-------------------|
| Range of product | Zelio Relay |
| Product or component type | Solid state relay |
| Device short name | SSL |
| Network number of phases | 1 phase |

Complementary

| | |
|-------------------------------|---|
| Mounting support | Socket |
| [In] rated current | 3.5 A |
| Output voltage | 1...24 V DC |
| Control circuit voltage | 3...12 V DC |
| Contacts type and composition | 1 NO |
| Capacitance unbalance | <= 1.5 pF input/output |
| Switching voltage | <= 1 V DC turn-off >= 3 V DC turn-on |
| Input current limits | 10 mA |
| Input impedance | 500 Ohm |
| Solid state output type | Mosfet output DC switching |
| Load current | 0.001...3.5 A |
| Absolute maximum voltage | 30 V |
| Maximum operating frequency | 500 Hz |
| Surge current | <= 9 A for 10 ms |
| Voltage drop | <= 0.5 V on-state |
| Leakage current | <= 0.001 mA off-state |
| Response time | 0.12 ms turn-on 0.1 ms turn-off |
| Overvoltage category | III |
| Width | 5 mm |

Disclaimer: This documentation is not intended as a substitute for and is not to be used for determining suitability or reliability of these products for specific user applications

| | |
|----------------|-----------|
| Height | 28 mm |
| Depth | 15 mm |
| Product weight | 0.0041 kg |

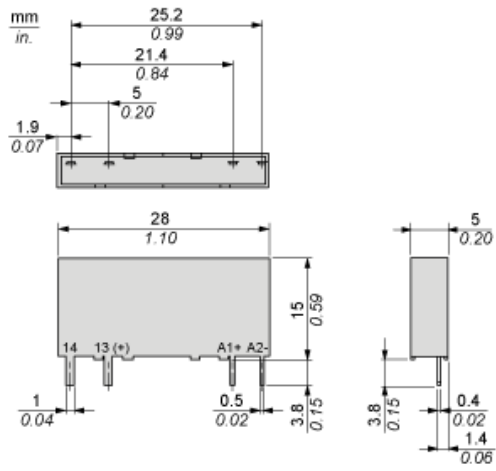
Environment

| | |
|---------------------------------------|---------------------------------------|
| Flame retardance | V0 conforming to UL 94 |
| Dielectric strength | 2500 V for input/output |
| Pollution degree | 2 |
| Standards | IEC 61000 IEC 62314 IEC 60950-1 |
| Product certifications | UL REACH CSA RoHS |
| Marking | CE |
| IP degree of protection | IP67 |
| Ambient air temperature for operation | -20...80 °C |
| Ambient air temperature for storage | -20...85 °C |

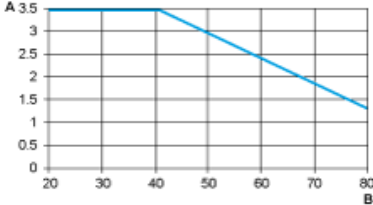
Offer Sustainability

| | |
|----------------------------------|---|
| Sustainable offer status | Green Premium product |
| RoHS (date code: YYWW) | Compliant - since 1328 - Schneider Electric declaration of conformity Schneider Electric declaration of conformity |
| REACH | Reference not containing SVHC above the threshold Reference not containing SVHC above the threshold |
| Product environmental profile | Available Product environmental |
| Product end of life instructions | Need no specific recycling operations |

Dimensions



Derating Curves



A : Load Current (Amperes)
B : Ambient Temperature (°C)