



### Main

Range of product	Preventa Safety detection
Accessory / separate part category	Mounting and fixing accessories
Accessory / separate part type	Fixing accessory
Product compatibility	XUSZWPE...
Accessory / separate part destination	Protective cover

### Complementary

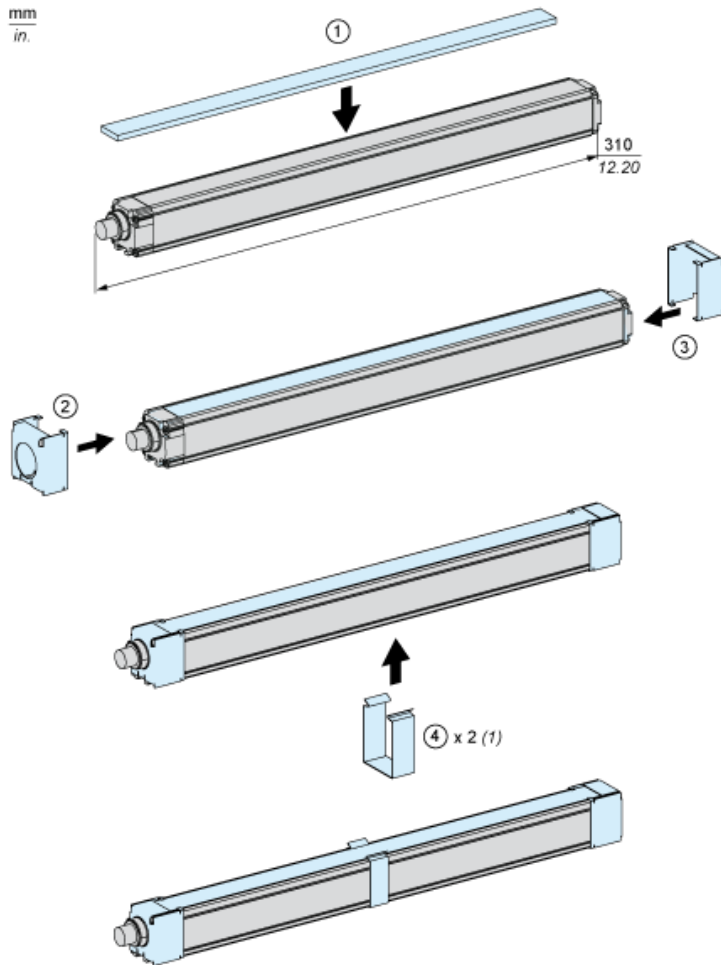
Ambient air temperature for operation	-10...50 °C 14...121 °F
Ambient air temperature for storage	-13...158 °F -25...70 °C
Kit composition	4 fixation clamp(s) stainless steel 4 end clamp(s) stainless steel
Product weight	0.15 kg

### Offer Sustainability

Sustainable offer status	Green Premium product
RoHS (date code: YYWW)	Compliant - since 1425 - Schneider Electric declaration of conformity <a href="#">Schneider Electric declaration of conformity</a>
REACH	Reference not containing SVHC above the threshold <a href="#">Reference not containing SVHC above the threshold</a>
Product environmental profile	Available <a href="#">Product environmental</a>
Product end of life instructions	Available <a href="#">End of life manual</a>

Mounting and Clearance

Various Stages in the Protective Screen Assembly



(1) Depending on the length