



Main

Range of product	Preventa Safety detection
Accessory / separate part category	Protection accessories
Accessory / separate part type	Protective screen
Product compatibility	XUSL.E...76
Accessory / separate part destination	Safety light curtain type 2 Safety light curtain type 4
Height	795 mm
Quantity per set	Set of 4

Complementary

Material	Polycarbonate
Sensing distance reduction coefficient	0.97 Sn
Product weight	0.31 kg

Environment

Resistance to chemical agents	Resistant to inorganic diluted acids Resistant aqueous solutions Resistant alkalis Resistant detergents and cleaners
Ambient air temperature for operation	14...131 °F -10...55 °C
Ambient air temperature for storage	-25...70 °C -13...158 °F

Offer Sustainability

Sustainable offer status	Green Premium product
RoHS (date code: YYWW)	Compliant - since 1425 - Schneider Electric declaration of conformity Schneider Electric declaration of conformity
REACH	Reference not containing SVHC above the threshold

Reference not containing SVHC above the threshold

Product environmental profile

Available

 [Product environmental](#)

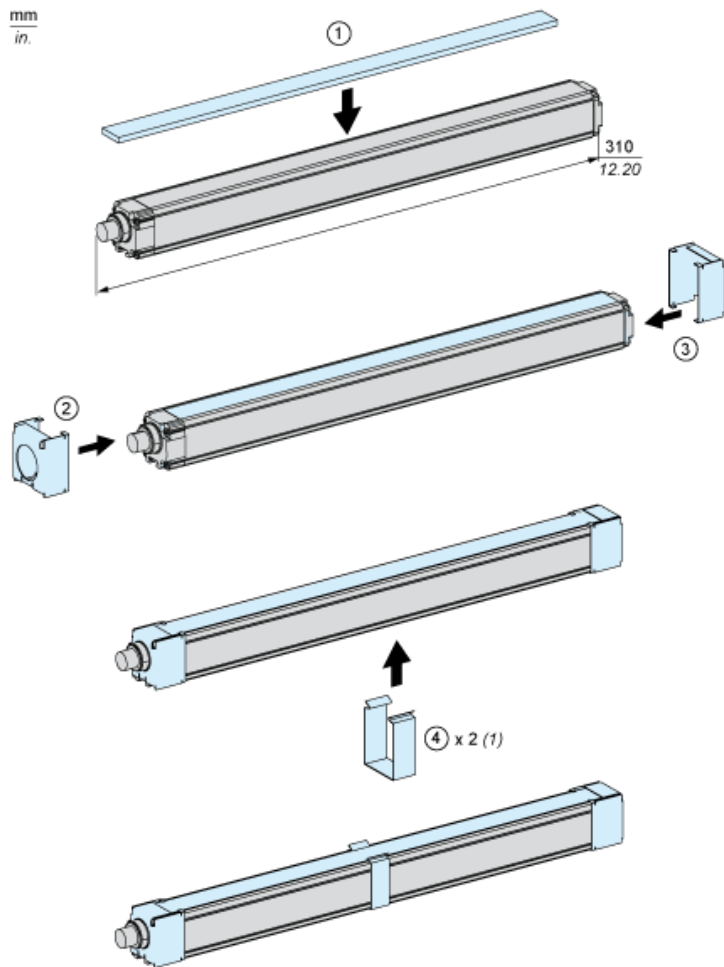
Product end of life instructions

Available

 [End of life manual](#)

Mounting and Clearance

Various Stages in the Protective Screen Assembly



(1) Depending on the length