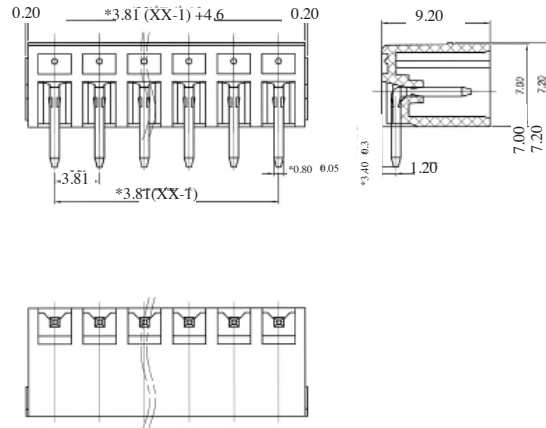
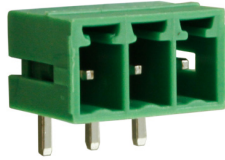


CAMBLOCK PLUS

PCB Mounting Male Horizontal (closed ended)

TYPE NO.	POLES	LENGTH
CTBP93HE/2	2	9mm
CTBP93HE/3	3	12.8mm
CTBP93HE/4	4	16.6mm
CTBP93HE/5	5	20.4mm
CTBP93HE/6	6	24.3mm
CTBP93HE/7	7	28.1mm
CTBP93HE/8	8	31.9mm
CTBP93HE/9	9	35.4mm
CTBP93HE/10	10	39.5mm
CTBP93HE/11	11	43.3mm
CTBP93HE/12	12	47.1mm

CTBP93HE



PCB Mounting Male Vertical (closed ended)

TYPE NO.	POLES	LENGTH
CTBP93VE/2	2	9mm
CTBP93VE/3	3	12.8mm
CTBP93VE/4	4	16.6mm
CTBP93VE/5	5	20.4mm
CTBP93VE/6	6	24.3mm
CTBP93VE/7	7	28.1mm
CTBP93VE/8	8	31.9mm
CTBP93VE/9	9	35.4mm
CTBP93VE/10	10	39.5mm
CTBP93VE/11	11	43.3mm
CTBP93VE/12	12	47.1mm

CTBP93VE

