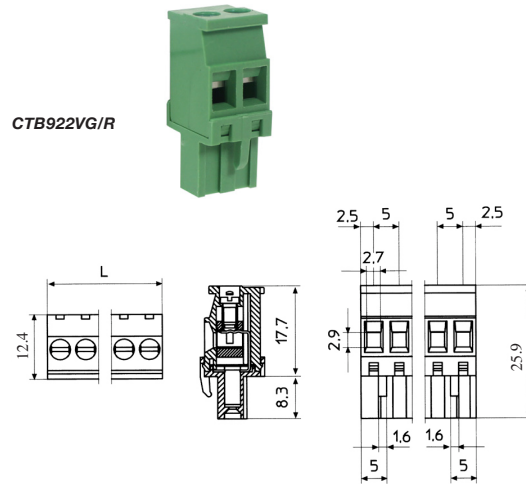


CAMBLOCK

Female connector vertical (reversed)

TYPE NO.	POLES	LENGTH	TYPE NO.	POLES	LENGTH
CTB922VG/2R	2	10mm	CTB922VG/14R	14	70mm
CTB922VG/3R	3	15mm	CTB922VG/15R	15	75mm
CTB922VG/4R	4	20mm	CTB922VG/16R	16	80mm
CTB922VG/5R	5	25mm	CTB922VG/17R	17	85mm
CTB922VG/6R	6	30mm	CTB922VG/18R	18	90mm
CTB922VG/7R	7	35mm	CTB922VG/19R	19	95mm
CTB922VG/8R	8	40mm	CTB922VG/20R	20	100mm
CTB922VG/9R	9	45mm	CTB922VG/21R	21	105mm
CTB922VG/10R	10	50mm	CTB922VG/22R	22	110mm
CTB922VG/11R	11	55mm	CTB922VG/23R	23	115mm
CTB922VG/12R	12	60mm	CTB922VG/24R	24	120mm
CTB922VG/13R	13	65mm			



PCB
TERMINAL
BLOCKS

PCB mounting male vertical (closed ended)

TYPE NO.	POLES	LENGTH	TYPE NO.	POLES	LENGTH
CTB9302/2	2	11.2mm	CTB9302/14	14	71.2mm
CTB9302/3	3	16.2mm	CTB9302/15	15	76.2mm
CTB9302/4	4	21.2mm	CTB9302/16	16	81.2mm
CTB9302/5	5	26.2mm	CTB9302/17	17	86.2mm
CTB9302/6	6	31.2mm	CTB9302/18	18	91.2mm
CTB9302/7	7	36.2mm	CTB9302/19	19	96.2mm
CTB9302/8	8	41.2mm	CTB9302/20	20	101.2mm
CTB9302/9	9	46.2mm	CTB9302/21	21	106.2mm
CTB9302/10	10	51.2mm	CTB9302/22	22	111.2mm
CTB9302/11	11	56.2	CTB9302/23	23	116.2mm
CTB9302/12	12	61.2mm	CTB9302/24	24	121.2mm
CTB9302/13	13	66.2mm			

