


# CAMBLOCK

PCB  
TERMINAL  
BLOCKS

## 3.81mm Pitch Pluggable Rising Clamp Terminal

- 2-20 pole solid block
- Pluggable male-female connectors
- Closed headers
- Horizontal & vertical female plug styles
- Polarised mouldings
- Moulded in green UL94-V0 flame retardant PA66
- Professional rising clamp terminals
- 0.13-1.31mm<sup>2</sup> (26-16AWG) solid & stranded cable
- Captive screws
- Guided pin alignment
-  **us** approved

### SPECIFICATION

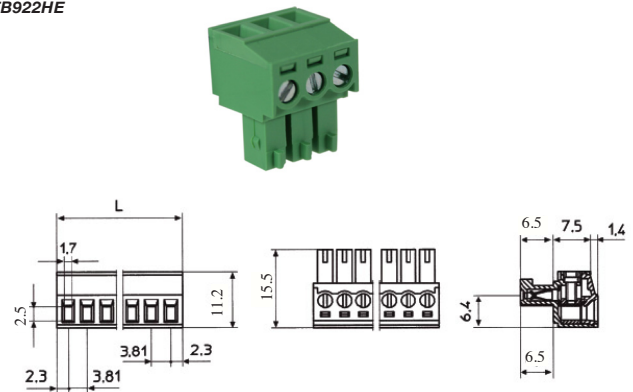
Rating	8A 125 V
Insulation resistance	5000MΩ/1000V
Withstand Voltage	AC2000V/1min
Contact Resistance	20mΩ
Working Temperature	-33°C to +120°C
Mouldings	UL94-V0 flame retardant PA66
Wire Protector	Tin plated
Screw/Torque	M2 Steel, Tin Plated 0.2Nm
Recommended PCB hole size	ø1.4mm

### Female Connector

TYPE NO.	POLES	LENGTH
CTB922HE/2	2	8.62mm
CTB922HE/3	3	12.43mm
CTB922HE/4	4	16.24mm
CTB922HE/5	5	20.05mm
CTB922HE/6	6	23.86mm
CTB922HE/7	7	27.67mm
CTB922HE/8	8	31.48mm
CTB922HE/9	9	35.29mm
CTB922HE/10	10	39.1mm
CTB922HE/11	11	42.91mm

TYPE NO.	POLES	LENGTH
CTB922HE/12	12	46.72mm
CTB922HE/13	13	50.53mm
CTB922HE/14	14	54.34mm
CTB922HE/15	15	58.15mm
CTB922HE/16	16	61.96mm
CTB922HE/17	17	65.77mm
CTB922HE/18	18	69.58mm
CTB922HE/19	19	73.39mm
CTB922HE/20	20	77.2mm

CTB922HE

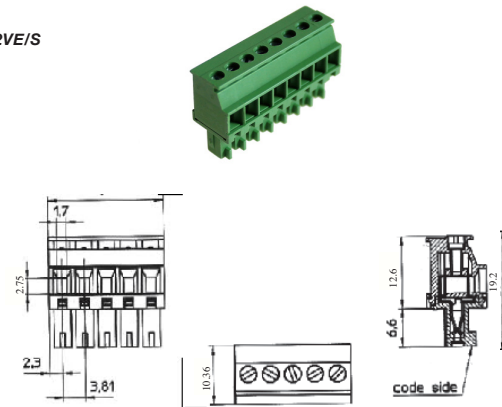


### Female Connector Vertical (standard)

TYPE NO.	POLES	LENGTH
CTB922VE/2S	2	8.62mm
CTB922VE/3S	3	12.43mm
CTB922VE/4S	4	16.24mm
CTB922VE/5S	5	20.05mm
CTB922VE/6S	6	23.86mm
CTB922VE/7S	7	27.67mm
CTB922VE/8S	8	31.48mm
CTB922VE/9S	9	35.29mm
CTB922VE/10S	10	39.1mm
CTB922VE/11S	11	42.91mm

TYPE NO.	POLES	LENGTH
CTB922VE/12S	12	46.72mm
CTB922VE/13S	13	50.53mm
CTB922VE/14S	14	54.34mm
CTB922VE/15S	15	58.15mm
CTB922VE/16S	16	61.96mm
CTB922VE/17S	17	65.77mm
CTB922VE/18S	18	69.58mm
CTB922VE/19S	19	73.39mm
CTB922VE/20S	20	77.2mm

CTB922VE/S



### Female Connector Vertical (reversed)

TYPE NO.	POLES	LENGTH
CTB922VE/2R	2	8.62mm
CTB922VE/3R	3	12.43mm
CTB922VE/4R	4	16.24mm
CTB922VE/5R	5	20.05mm
CTB922VE/6R	6	23.86mm
CTB922VE/7R	7	27.67mm
CTB922VE/8R	8	31.48mm
CTB922VE/9R	9	35.29mm
CTB922VE/10R	10	39.1mm
CTB922VE/11R	11	42.91mm

TYPE NO.	POLES	LENGTH
CTB922VE/12R	12	46.72mm
CTB922VE/13R	13	50.53mm
CTB922VE/14R	14	54.34mm
CTB922VE/15R	15	58.15mm
CTB922VE/16R	16	61.96mm
CTB922VE/17R	17	65.77mm
CTB922VE/18R	18	69.58mm
CTB922VE/19R	19	73.39mm
CTB922VE/20R	20	77.2mm

CTB922VE/R

