


CAMBLOCK

5mm Pitch Pluggable Rising Clamp Terminal

- 2-24 pole solid block
- Pluggable male-female connectors
- Open & closed headers
- Horizontal & vertical female plug styles
- Polarised mouldings
- Moulded in green UL94-V0 flame retardant PA66
- Professional rising clamp terminals
- 0.2-3.3mm² (24-12AWG) solid & stranded cable
- Captive screws
- Guided pin alignment
-  US approved

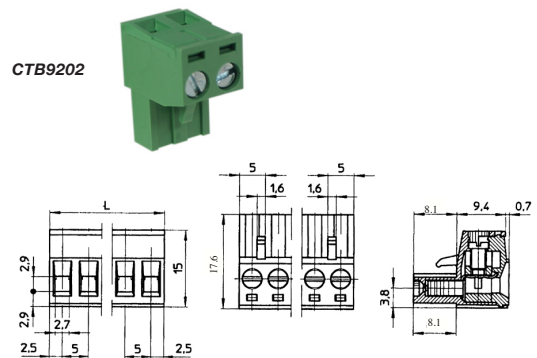
SPECIFICATION

Rating	15A 300V
Insulation resistance	1000MΩ/1000V
Withstand Voltage	AC1000V/1min
Contact Resistance	20mΩ
Working Temperature	-40°C to +105°C
Mouldings	UL94-V0 flame retardant PA66
Wire Protector	Tin plated, phosphor bronze
Screw/Torque	M3 Steel, Tin Plated 0.4Nm
Recommended PCB hole size	ø1.4mm

Female connector

TYPE NO.	POLES	LENGTH
CTB9202/2	2	10mm
CTB9202/3	3	15mm
CTB9202/4	4	20mm
CTB9202/5	5	25mm
CTB9202/6	6	30mm
CTB9202/7	7	35mm
CTB9202/8	8	40mm
CTB9202/9	9	45mm
CTB9202/10	10	50mm
CTB9202/11	11	55mm
CTB9202/12	12	60mm
CTB9202/13	13	65mm

TYPE NO.	POLES	LENGTH
CTB9202/14	14	70mm
CTB9202/15	15	75mm
CTB9202/16	16	80mm
CTB9202/17	17	85mm
CTB9202/18	18	90mm
CTB9202/19	19	95mm
CTB9202/20	20	100mm
CTB9202/21	21	105mm
CTB9202/22	22	110mm
CTB9202/23	23	115mm
CTB9202/24	24	120mm



Female connector vertical (standard)

TYPE NO.	POLES	LENGTH
CTB922VG/2S	2	10mm
CTB922VG/3S	3	15mm
CTB922VG/4S	4	20mm
CTB922VG/5S	5	25mm
CTB922VG/6S	6	30mm
CTB922VG/7S	7	35mm
CTB922VG/8S	8	40mm
CTB922VG/9S	9	45mm
CTB922VG/10S	10	50mm
CTB922VG/11S	11	55mm
CTB922VG/12S	12	60mm
CTB922VG/13S	13	65mm

TYPE NO.	POLES	LENGTH
CTB922VG/14S	14	70mm
CTB922VG/15S	15	75mm
CTB922VG/16S	16	80mm
CTB922VG/17S	17	85mm
CTB922VG/18S	18	90mm
CTB922VG/19S	19	95mm
CTB922VG/20S	20	100mm
CTB922VG/21S	21	105mm
CTB922VG/22S	22	110mm
CTB922VG/23S	23	115mm
CTB922VG/24S	24	120mm

