


CAMBLOCK

3.5mm Pitch Pluggable Rising Clamp Terminal

- 2-20 pole solid block
- Pluggable male-female connectors
- Professional rising clamp terminals
- Closed headers
- Polarised mouldings
- Moulded in green UL94-V0 flame retardant PA66
- 0.13-1.3mm² (26-16AWG) solid & stranded cable
- Captive screws
- Guided pin alignment
-  approved

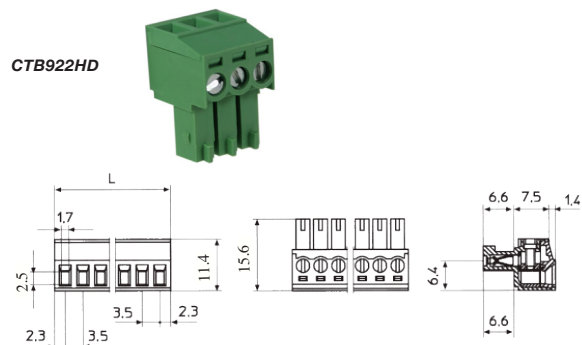
SPECIFICATION

Rating	10A/200V
Dielectric strength	≥2.5kV
Working temperature	-33°C to +120°C
Moulding	UL94-V0 flame retardant PA
Pin/terminal	Tinned phosphor bronze
Rising clamp	Nickel copper flash brass
Screw/torque	M2 steel Tin plated, 0.3Nm
Recommended PCB hole size	ø1.2mm

PCB
TERMINAL
BLOCKS

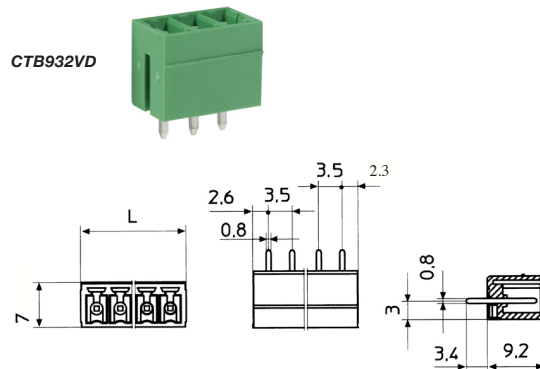
Female connector

TYPE NO.	POLES	LENGTH	TYPE NO.	POLES	LENGTH
CTB922HD/2	2	7mm	CTB922HD/12	12	42mm
CTB922HD/3	3	10.5mm	CTB922HD/13	13	45.5mm
CTB922HD/4	4	14mm	CTB922HD/14	14	49mm
CTB922HD/5	5	17.5mm	CTB922HD/15	15	52.5mm
CTB922HD/6	6	21mm	CTB922HD/16	16	56mm
CTB922HD/7	7	24.5mm	CTB922HD/17	17	59.5mm
CTB922HD/8	8	28mm	CTB922HD/18	18	63mm
CTB922HD/9	9	31.5mm	CTB922HD/19	19	66.5mm
CTB922HD/10	10	35mm	CTB922HD/20	20	70mm
CTB922HD/11	11	38.5mm			



PCB mounting male vertical (closed ended)

TYPE NO.	POLES	LENGTH	TYPE NO.	POLES	LENGTH
CTB932VD/2	2	8.4mm	CTB932VD/12	12	43.4mm
CTB932VD/3	3	11.9mm	CTB932VD/13	13	46.9mm
CTB932VD/4	4	15.4mm	CTB932VD/14	14	50.4mm
CTB932VD/5	5	18.9mm	CTB932VD/15	15	53.9mm
CTB932VD/6	6	22.4mm	CTB932VD/16	16	57.4mm
CTB932VD/7	7	25.9mm	CTB932VD/17	17	60.9mm
CTB932VD/8	8	29.4mm	CTB932VD/18	18	64.4mm
CTB932VD/9	9	32.9mm	CTB932VD/19	19	67.9mm
CTB932VD/10	10	36.4mm	CTB932VD/20	20	71.4mm
CTB932VD/11	11	39.9mm			



PCB mounting male horizontal (closed ended)

TYPE NO.	POLES	LENGTH	TYPE NO.	POLES	LENGTH
CTB932HD/2	2	8.4mm	CTB932HD/12	12	43.4mm
CTB932HD/3	3	11.9mm	CTB932HD/13	13	46.9mm
CTB932HD/4	4	15.4mm	CTB932HD/14	14	50.4mm
CTB932HD/5	5	18.9mm	CTB932HD/15	15	53.9mm
CTB932HD/6	6	22.4mm	CTB932HD/16	16	57.4mm
CTB932HD/7	7	25.9mm	CTB932HD/17	17	60.9mm
CTB932HD/8	8	29.4mm	CTB932HD/18	18	64.4mm
CTB932HD/9	9	32.9mm	CTB932HD/19	19	67.9mm
CTB932HD/10	10	36.4mm	CTB932HD/20	20	71.4mm
CTB932HD/11	11	39.9mm			

