

IEC Appliance Inlet C14 or C18 with Line Switch 1- or 2-pole



**Description**

- Panel Mount :  
Screw-on version from front or rear side, snap-in version from front side
- Appliance Inlet protection class I or II , Line Switch 1- or 2-pole
- V-Lock notch standard
- Quick connect terminals 4.8 x 0.8 mm

**Unique Selling Proposition**

- Ultra compact design
- Line switch for high inrush currents
- Components internally wired
- V-Lock cord retaining

**Approvals**

- Approval Reference Type: DC11
- VDE Certificate Number: 40007009
- UL File Number: E96454

**Characteristics**

- All single elements are already wired
- Unwired versions available on request
- Line switch non-illuminated or illuminated
- Ideal for application with high transient loads
- Suitable for use in equipment according to IEC/UL 60950

**Other versions on request**

- Unwired versions
- Solder terminals
- Line switch with other rocker marking

**References**

Alternative: version with line filter [DC12](#)  
Substitute for type [KEB1](#); [KEB2](#); [6010-K](#)

**Weblinks**

[pdf datasheet](#), [html-datasheet](#), [General Product Information](#), [RoHS](#), [CHINA-RoHS](#), [REACH](#), [Distributor-Stock-Check](#), [Accessories](#), [Detailed request for product](#)

**Technical Data**

Ratings IEC	10A / 250VAC; 50Hz
Ratings UL/CSA	15A / 250VAC; 50/60Hz <sup>1)</sup>
Dielectric Strength	> 2.5kVAC between L-N > 3kVAC between L/N-PE (1 min/50Hz)
Allowable Operation Temperature	-25 °C to 70 °C
IP-Protection	from front side IP 40 acc. to IEC 60529
Insulation cover	Suitable for appliances with protection class I or II acc. to IEC 61140
Terminal	Quick connect terminals 4.8 x 0.8 mm
Panel Thickness s	Screw: max 6 mm Mounting screw torque max 0.5 Nm Snap-in: 1/1.5/2/2.5/3 mm
Material: Housing	Thermoplastic, black, UL 94V-0

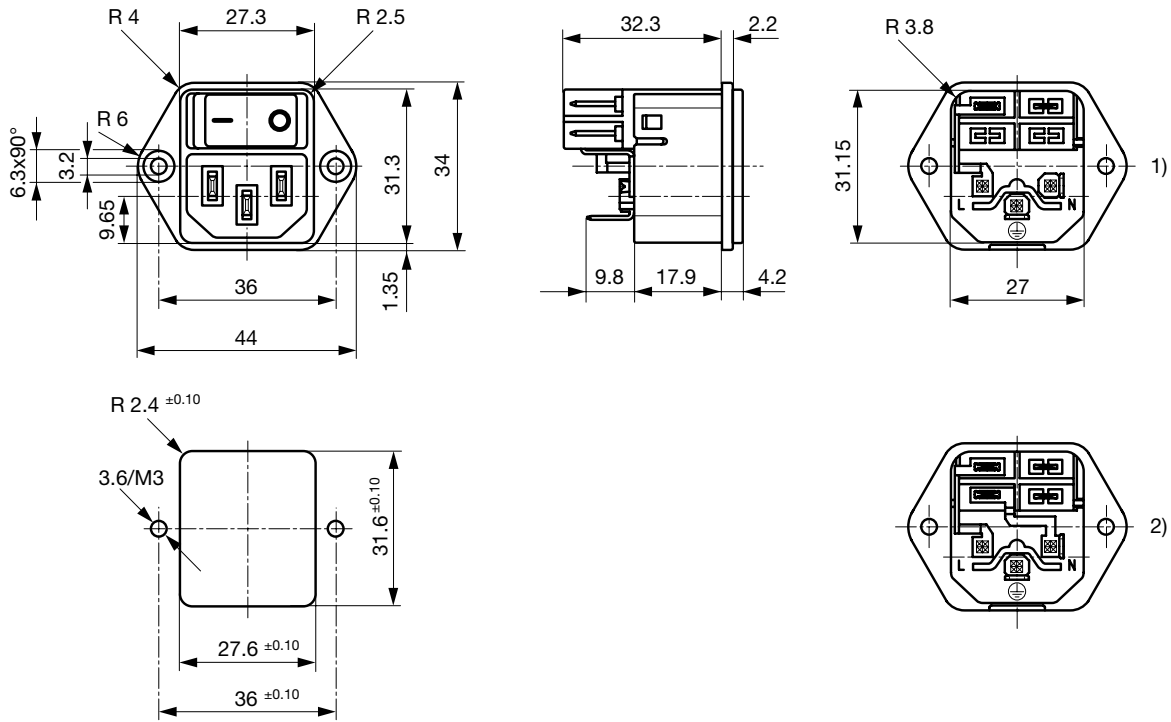
appliance inlet/-outlet	C14 acc. to IEC 60320-1, UL 498, CSA C22.2 no. 42 (for cold conditions) pin-temperature 70 °C, 10A, Protection Class I or II
Line Switch	Rocker switch 1 or 2 pole, non-illuminated or illuminated, acc. to IEC 61058-1 <a href="#">Technical Details</a>

<sup>1)</sup> Standard version 12 A / special version 15A

Detailed information on product approvals, code requirements, usage instructions and detailed test conditions can be looked up in [General Product Information](#)

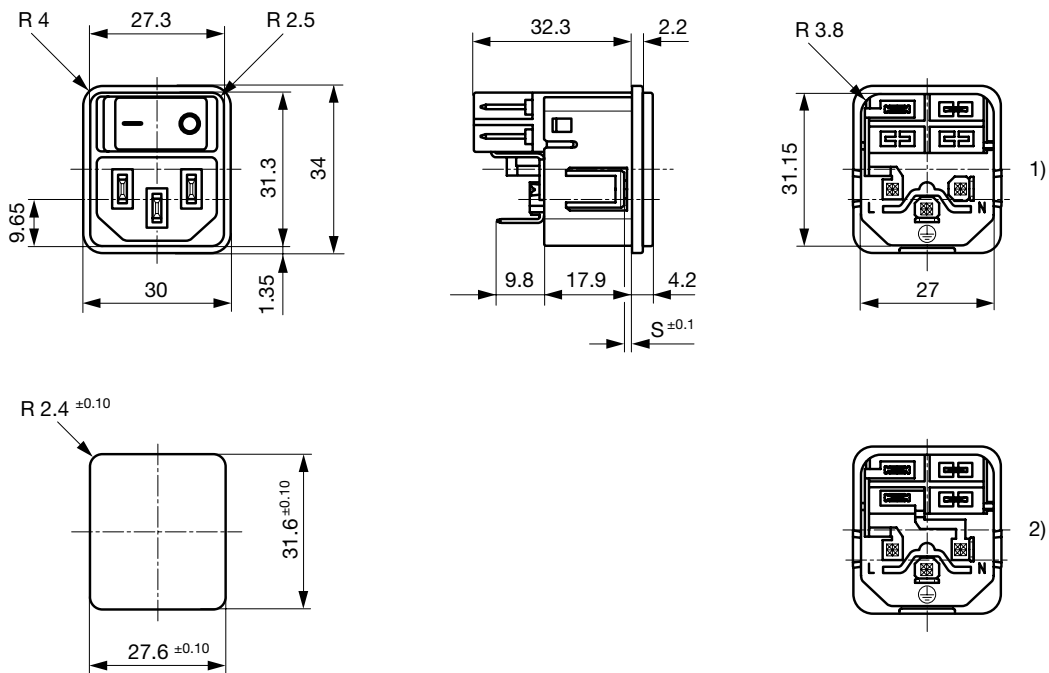
**Dimensions**

Screw-on mounting



- 1) 1-pol non-illuminated
- 2) 2-pol illuminated, 2-pol non-illuminated

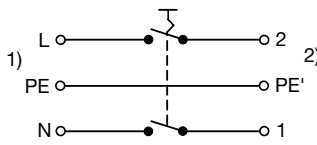
Snap-in mounting



- 1) 1-pol non-illuminated
- 2) 2-pol illuminated, 2-pol non-illuminated

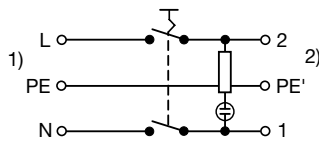
Diagrams

Line switch non-illuminated 2-pole



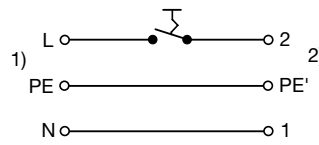
1) Line  
2) Load

Line switch illuminated 2-pole



1) Line  
2) Load

Line switch non-illuminated 1-pole



1) Line  
2) Load

All Variants

Rated Current UL	Protection Class	Panel mounting	Panel Thickness s [mm]	Line Switch	Illumination	Color	V-Lock	Order Number
12	I	Snap-in	1.5	2-pole	●	red		DC11.0021.201
15	I	Snap-in	1.5	2-pole	●	red		DC11.0021.206
12	I	Snap-in	2	2-pole	●	red		DC11.0021.301
12	I	Snap-in	2.5	2-pole	●	red		DC11.0021.401
12	I	Snap-in	1.5	2-pole	●	green		DC11.0031.201
12	I	Snap-in	2	2-pole	●	green		DC11.0031.301
12	I	Snap-in	2.5	2-pole	●	green		DC11.0031.401
12	I	Snap-in	1.5	1-pole		-		DC11.0001.203
15	I	Snap-in	1.5	1-pole		-		DC11.0001.207
12	I	Snap-in	2	1-pole		-		DC11.0001.303
12	I	Snap-in	2.5	1-pole		-		DC11.0001.403
12	I	Snap-in	1.5	2-pole		-		DC11.0001.201
15	I	Snap-in	1.5	2-pole		-		DC11.0001.206
12	I	Snap-in	2	2-pole		-		DC11.0001.301
12	II	Snap-in	2	2-pole		-		DC11.0001.351
12	I	Snap-in	2.5	2-pole		-		DC11.0001.401
12	I	Snap-in	3	2-pole		-		DC11.0001.501
12	I	Screw	-	2-pole	●	red		DC11.0021.001
15	I	Screw	-	2-pole	●	red		DC11.0021.006
12	I	Screw	-	2-pole	●	green		DC11.0031.001
12	I	Screw	-	1-pole		-		DC11.0001.003
15	I	Screw	-	1-pole		-		DC11.0001.007
12	I	Screw	-	2-pole		-		DC11.0001.001
15	I	Screw	-	2-pole		-		DC11.0001.006

Most Popular.

Availability for all products can be searched real-time: <http://www.schurter.com/en/Stock-Check/Stock-Check-SCHURTER>

With screw mounting on PCB, 2 screws are included

All variants according VDE (ENEC 10) approved for 10 A

Packaging unit 50 Pcs

Accessories

Description



[Wire Harness](#)  
Wire harness for SCHURTER products



[Assorted Covers](#)  
Rear Cover

0859.0047

4311.9403



[Cord retaining kits](#)  
Cord retaining strain relief

Flat head, A

4700.0001

Countersunk, B

4700.0002

Mating Outlets/Connectors

Category / Description

[Appliance Outlet Overview complete](#)



IEC Appliance Outlet F, Screw-on Mounting, Front Side, Solder Terminal

4787

IEC Appliance Outlet F, Snap-in Mounting, Front Side, Solder or Quick-connect Terminal

4788

IEC Appliance Outlet F or H, Screw-on Mounting, Front Side, Solder, PCB or Quick-connect Terminal

5091

[Appliance Outlet further types to DC11](#)

[Connector Overview complete](#)



4782 Mounting: Power Cord, 3 x 1 mm<sup>2</sup> / 3 x 18 AWG, Cable, Connector: IEC C13

4782

4022 Mounting: Power Supply Cord, 3 x 1.5 mm<sup>2</sup>, Screw clamps, Connector: IEC C13

4022

4785 Mounting: Power Cord, 3 x 1 mm<sup>2</sup> / 3 x 18 AWG, Cable, Connector: IEC C13

4785

4300-06 Mounting: Power Cord, 3 x 1 mm<sup>2</sup> / 3 x 18 AWG, Cable, Connector: IEC C13

4300-06

4012 Mounting: Power Supply Cord, 3 x 1.5 mm<sup>2</sup>, Screw clamps, Connector: IEC C13

4012

[Connector further types to DC11](#)

...

[Power Supply Cord Overview complete](#)



Cord Sets 10 A, Europlug, 2.5 m, Connector IEC C13, H05VV-F3G1.0, black

6004.0215

Cord Sets 10 A, Europlug, 2.5 m, Connector IEC C13, H05VV-F3G1.0, black

6003.0215

[Power Supply Cord further types to DC11](#)

### Mating Outlets/Connectors shuttered



[Power Cord Overview complete](#)

VAC17KS, North America, V-Lock cord retaining, 3.0 m, Connector C17, SJT 2x18 AWG, black	<a href="#">3-101-794</a>
VAC17KS, North America, V-Lock cord retaining, 2.0 m, Connector C17, SJT 2x18 AWG, black	<a href="#">6051.2801</a>
VAC17KS, North America, V-Lock cord retaining, 2.0 m, Connector C17, SJT 2x18 AWG, white	<a href="#">6051.2811</a>
VAC17KS, United Kingdom, V-Lock cord retaining, 2.0 m, Connector IEC C17, H05VV-F2G1, black	<a href="#">3-101-184</a>
VAC17KS, Switzerland, V-Lock cord retaining, 2.0 m, Connector IEC C17, H05VV-F2G1, black	<a href="#">3-101-185</a>

[Power Cord further types to DC11](#)

...