

IEC Appliance Inlet C8 with Line Switch 1-pole



CMF1

C8

70° C



Description

- Panel Mount :
Screw-on mounting on PCB , from top or bottom
- 2 Functions :
Appliance Inlet Protection class II , Line Switch 1-pole
- For PCB mounting

Approvals

- Approval Reference Type: CMF

Characteristics

- Easy mounting with center bolt and snapper or screwed on PCB or housing
- Electrical connection done on the PCB
- Bi-positioning of the switch from left or right side, Standard CMF with switch on right side
- With or without rear-side insulation cover
- Suitable for use in equipment according to IEC/UL 60950

Other versions on request

- Line switch with other rocker marking
- Line switch on left of inlet

References

Alternative: polarized version or protection class I [CMF2](#), [CMF5](#); [CMF3](#), [CMF6](#)

Weblinks

[pdf datasheet](#), [html-datasheet](#), [General Product Information](#), [RoHS](#), [CHINA-RoHS](#), [REACH](#), [Distributor-Stock-Check](#), [Accessories](#), [Detailed request for product](#)

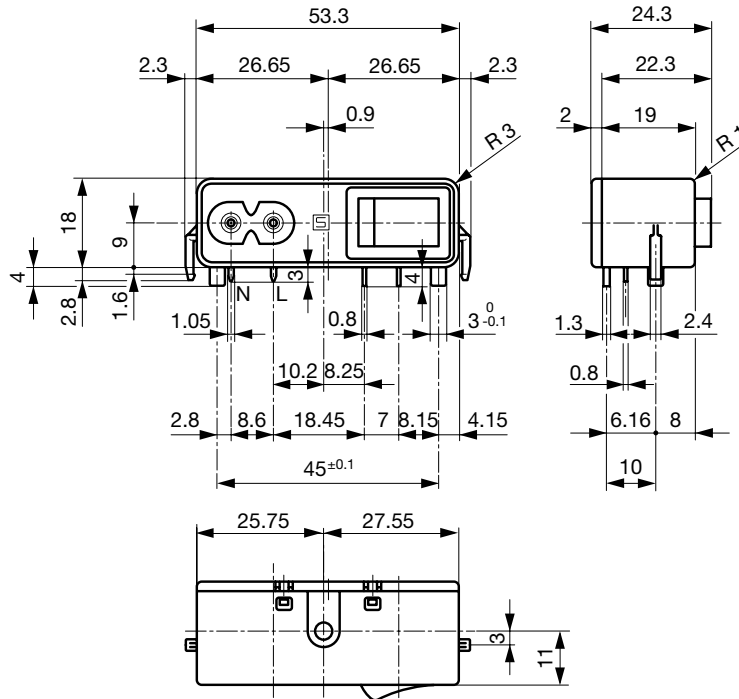
Technical Data

Ratings IEC	2.5A / 250VAC; 50Hz
Ratings UL/CSA	6A / 125VAC; 60Hz
Dielectric Strength	> 2.3kVAC between L-N > 2.8kVAC between L/N-PE (1 min/50Hz)
Allowable Operation Temperature	-25°C to 70°C
IP-Protection	from front side IP 40 acc. to IEC 60529
Insulation cover	Suitable for appliances with protection class II acc. to IEC 61140
Terminal	PCB 1.6 mm
Material: Housing	Thermoplastic, black, UL 94V-0

appliance inlet/-outlet	C8 acc. to IEC 60320-1, UL 498, CSA C22.2 no. 42 (for cold conditions) pin-temperature 70 °C, 2.5A, Protection Class II
Line Switch	Rocker switch 1-pole, non-illuminated, acc. to IEC 61058-1 Technical Details

Detailed information on product approvals, code requirements, usage instructions and detailed test conditions can be looked up in [General Product Information](#)

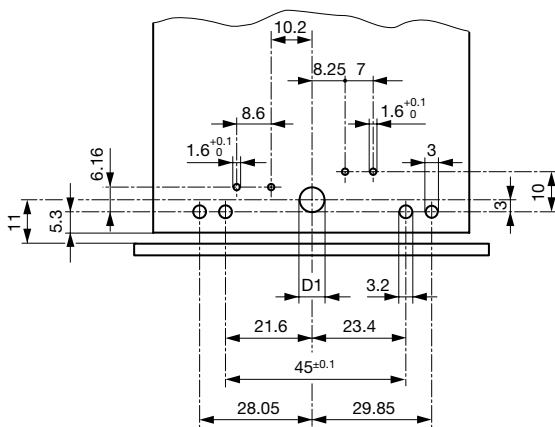
Dimensions



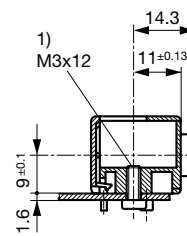
With insulation cover

The size of the mounting cut-out can be selected as required.

Drilling Diagram / CMF1 and CMF2

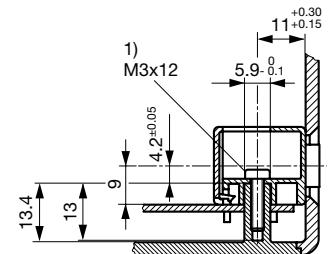


Fixation on PCB or housing from below



1) self tapping screw

Fixation on PCB or housing from above



1) self tapping screw

$D1 = 6.2$ mm mounting from above / $D1 = 3.6$ mm mounting from below

PC Board 1.6 mm / Dimensions without tolerance: $\leq 15 = \pm 0.05$ / $> 15 = \pm 0.10$

Drilling diagram CMF4 and CMF5 mirror-inverted

All Variants

Connectors	Mounting side	Cover	Ground terminal	Ground terminal direction	Order Number
C8	from below	with cover	-	-	CMF1.1131.12
C8	from below	without cover	-	-	CMF1.1031.12
C8	from top	with cover	-	-	CMF1.1111.12
C8	from top	without cover	-	-	CMF1.1011.12

Availability for all products can be searched real-time: <http://www.schurter.com/en/Stock-Check/Stock-Check-SCHURTER>

Packaging unit 50 Pcs