

Circuit Breaker for Equipment thermal with Metal Actuator

new



Description

- Thermal circuit breaker
- Metal switch non-illuminated and illuminated
- 1-pole
- Quick connect terminals 6.3 x 0.8 mm or screw terminals

Approvals

- Approval Reference Type: T12
- IEC Standard: IEC 60934
- UL Standard: UL 1077
- GB Standard: GB 17701

Applications

- Power supplies
- Uninterruptible power supply
- Power tools
- Household appliances

References

Component 1: circuit breakers
Component 2: metal switch ;
Component 3: Coupler

Weblinks

[pdf datasheet](#), [html-datasheet](#), [General Product Information](#), [Approvals](#), [CE declaration of conformity](#), [RoHS](#), [CHINA-RoHS](#), [REACH](#), [Distributor-Stock-Check](#), [Detailed request for product](#), [Product News](#)

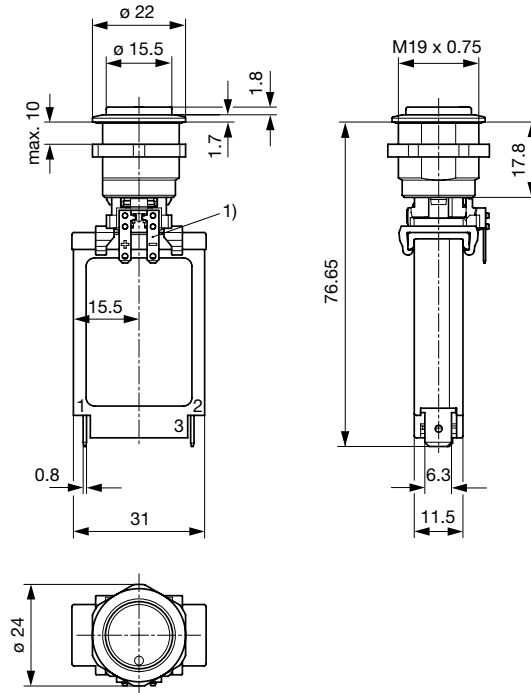
Technical Data

Rated Voltage AC	240 V; 50/60 Hz
Rated Voltage DC	28 V
Rated current range AC	0.05 - 15/16 A
Conditional short circuit capacity	IEC: Inc, PC1, AC 240 V: 1 kA
Dielectric Strength	50Hz: > 1.5kV Impulse 1.2/50 µs: > 2.5kV
Insulation resistance	500VDC > 100 MΩ
Endurance typical	2 x Ir: 5000 switching cycles
Reset type	AC : 2 x Ir , cos φ 0.6 : DC : 2 x Ir , L/R = 2 - 3 ms : 50 switching cycles
Manual ON/OFF type	AC : 2 x Ir , cos φ 0.6 : DC : 2 x Ir , L/R = 2 - 3 ms : 5000 switching cycles

Overload	IEC: min. 40 trips @ 6 x Ir, cos φ 0.6 UL / CSA: min. 50 trips @ 1.5 x Ir, cos φ 0.75
Ambient temperature	-5 °C to 60 °C
Vibration Resistance	± 0.75 mm @ 5 - 60 Hz acc. to IEC 60068-2-6, test Fc 7 G @ 60 - 500 Hz acc. to IEC 60068-2-6, test Fc
Shock Resistance	60 G / 18 ms acc. to IEC 60068-2-27, test Ea
Tripping Type	Thermal
Actuation Type	Manual ON/OFF
Shock Protection	IK 07
Tightening Torque Stainless Steel Nut	12 Nm for thread M19, 16 Nm for M22
Salt Spray Test (acc. to DIN 50021-SS)	24 h / 48 h / 96 h Residence Time
Supply Voltage	24 VDC Ring Illumination without series resistor Point Illumination
Weight	ca. 45 g

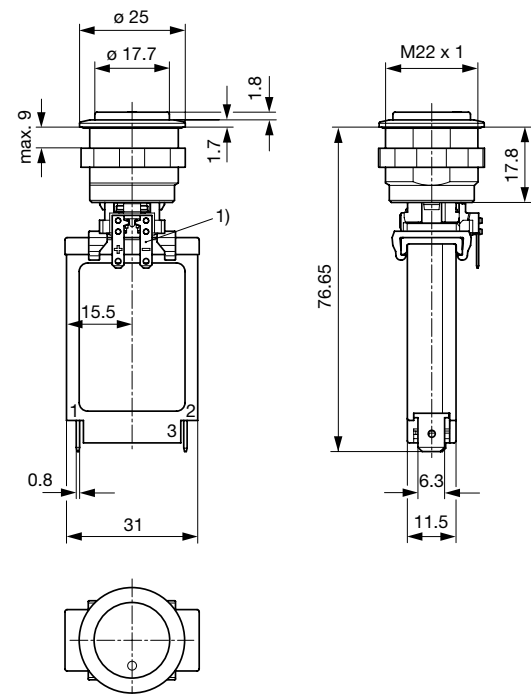
Detailed information on product approvals, code requirements, usage instructions and detailed test conditions can be looked up in [General Product Information](#)

Dimension
T12 MSM 19



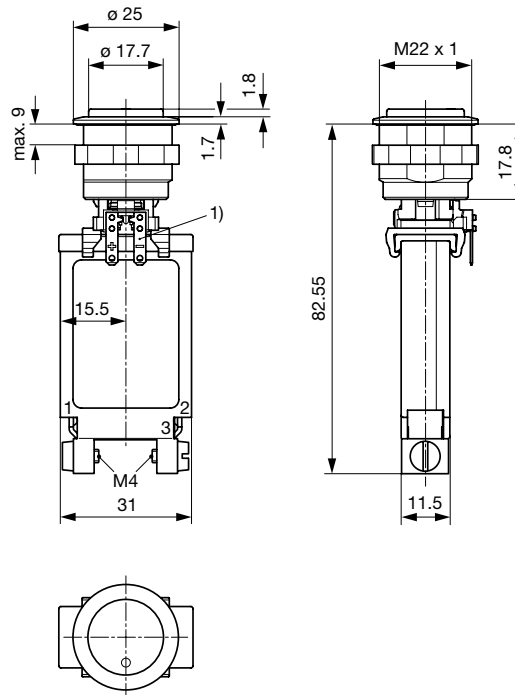
1) only among MSM PI / RI quick connect terminal 2.8x0.5 mm

T12 MSM 22



1) only among MSM PI / RI quick connect terminal 2.8x0.5 mm

T12 MSM 22 screw version



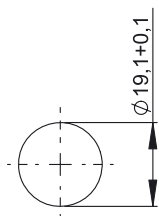
1) only among MSM PI / RI quick connect terminal 2.8x0.5 mm

MSM 19 LA ST / MSM 19 LA RI

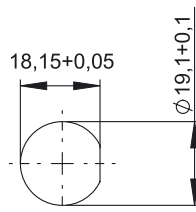
MSM 19 LA LE / MSM 19 LA PI /
MSM 19 LA RI optional

MSM 22 LA ST / MSM 22 LA RI

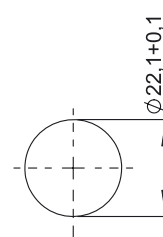
MSM 22 LA LE / MSM 22 LA PI /
MSM 22 LA RI optional



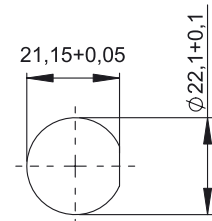
Drilling diagram



Drilling diagram



Drilling diagram



Drilling diagram

Point Illumination

Operating Data	Forward Current max.	Forward Voltage at 10 mA	Forward Voltage at 8 mA	Forward Voltage max.
LED red	30 mA	1,9 VDC		3,0 VDC
LED green	30 mA	2,1 VDC		3,0 VDC
LED blue	20 mA		3,7 VDC	4,5 VDC

Attention: Switches are delivered without series resistor.

Recommendation of series resistors for point illumination

LED-Color	I _D [mA]	I _{DMax} [mA]	U _V = 5				U _V = 12				U _V = 24			
			R _V [Ω]	R _V ^{E24} [Ω]	P _V [W]**		R _V [Ω]	R _V ^{E24} [Ω]	P _V [W]**		R _V [Ω]	R _V ^{E24} [Ω]	P _V [W]	
red	10	---	310	330	0,03		1010	1000	0,10		2210	2200	0,22	
	---	30	67	68	0,06		300	300	0,27		700	750	0,63	
green	10	---	290	300	0,03		990	1000	0,10		2190	2200	0,22	
	---	30	67	68	0,06		300	300	0,27		700	750	0,63	
blue	8	---	163	160	0,01		1038	1100	0,07		2538	2700	0,16	
	---	20	25	27	0,01		375	390	0,15		975	1000	0,39	

- I_D LED-Forward Current [8mA/10mA]
- I_{DMax} LED-Forward Current max. [20mA/30mA]
- R_V Series Resistor (calculated)
- R_V^{E24} Series Resistor (regarding E24-Resistor series)
- P_V Power dissipation concerning R_V (calculated)

Typical internal resistance

Rated Current [A]	Internal Resistance [Ω]
0.05	225.000
0.50	3.300
1.00	0.880
2.00	0.267
3.00	0.128
4.00	0.073
5.00	0.040
6.00	0.031
7.00	0.018
8.00	0.018
9.00	0.010
10.00	0.0087
11.00	0.0087
12.00	0.0087
13.00	0.0087
14.00	0.0070
15.00	0.0070
16.00	0.0055

Effect of ambient temperature

The units are calibrated for an ambient temperature of +23°C. To determine the rated current for a lower or higher ambient temperature, use a correction factor (typical value) from the table below:

Ambient temperature [°C]	Correction factor
-5	0.87
0	0.90
10	0.95
23	1.00
30	1.05
40	1.12
50	1.20
60	1.30

Example: Rated current = 5 A; Environmental temperature = 50 °C; --> Correction factor = 1.2; Resulting current = 6.0 A

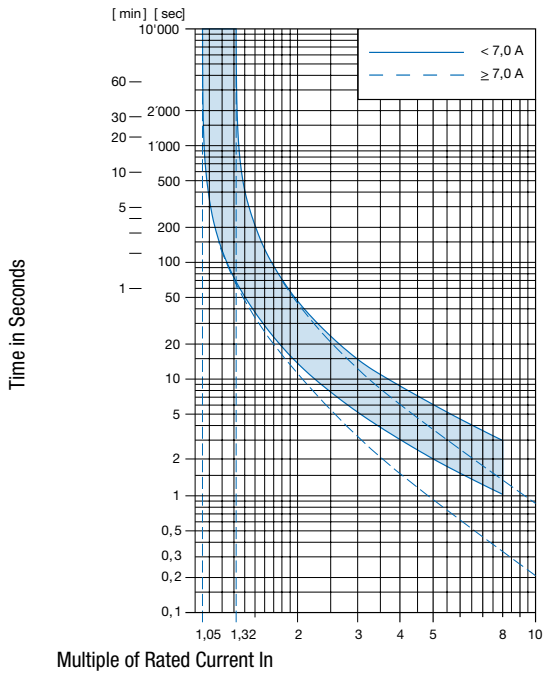
Lettering

The last three digits in the order number define the lettering:

000	No Lettering
001-074	Standard Lettering
101-	Customized Lettering

Lettering options see on Datasheet MSM LA 22

Time-Current-Curves



Reference Temperature +23°

All Variants

Circuit Breakers			Momentary Action Switch		Order Number
Type	Rated cur-	connection type	Type	Illumination	
T12-221-10	10A	Quick connect terminals 6.3 x 0.8 mm	MSM LA 19	non-illuminated	4410.9001
T12-221-16	16A	Quick connect terminals 6.3 x 0.8 mm	MSM LA 19	non-illuminated	4410.9002
T12-221-10	10A	Quick connect terminals 6.3 x 0.8 mm	MSM LA 22	non-illuminated	4410.9003
T12-221-16	16A	Quick connect terminals 6.3 x 0.8 mm	MSM LA 22	non-illuminated	4410.9004
T12-221-10	10A	Quick connect terminals 6.3 x 0.8 mm	MSM LA 19	Point Illumination, blue	4410.9005
T12-221-16	16A	Quick connect terminals 6.3 x 0.8 mm	MSM LA 19	Point Illumination, blue	4410.9006
T12-221-10	10A	Quick connect terminals 6.3 x 0.8 mm	MSM LA 22	Point Illumination, blue	4410.9007
T12-221-16	16A	Quick connect terminals 6.3 x 0.8 mm	MSM LA 22	Point Illumination, blue	4410.9008
T12-221-10	10A	Quick connect terminals 6.3 x 0.8 mm	MSM LA 19	Ring Illumination, blue, 24 VDC	4410.9009
T12-221-16	16A	Quick connect terminals 6.3 x 0.8 mm	MSM LA 19	Ring Illumination, blue, 24 VDC	4410.9010
T12-221-10	10A	Quick connect terminals 6.3 x 0.8 mm	MSM LA 22	Ring Illumination, blue, 24 VDC	4410.9011
T12-221-16	16A	Quick connect terminals 6.3 x 0.8 mm	MSM LA 22	Ring Illumination, blue, 24 VDC	4410.9012
T12-222-10	10A	Bolts and nuts	MSM LA 22	non-illuminated	4410.9017
T12-222-16	16A	Bolts and nuts	MSM LA 22	non-illuminated	4410.9018

Circuit Breakers			Momentary Action Switch		Order Number
Type	Rated cur-	connection type	Type	Illumination	
T12-221-15	15A	Quick connect terminals 6.3 x 0.8 mm	MSM LA 22	non-illuminated	4410.9019
T12-221-15	15A	Quick connect terminals 6.3 x 0.8 mm	MSM LA 22	Ring Illumination, blue, 24 VDC	4410.9021

Coupler is included

Most Popular.

Availability for all products can be searched real-time: <http://www.schurter.com/en/Stock-Check/Stock-Check-SCHURTER>

Packaging Unit 10 Pcs



- Actuating elements in ESD safe packaging
- Screw nuts and sealing rings in a bag (enclosed in the box)
- Circuit breaker in a bag (enclosed in the box)