

Printmount Switch, Medium Stroke, 7.5 mm



Description

- Available with various actuator colors
- High switching capacity
- Optional retaining bracket

Unique Selling Proposition

- Different contacting materials for different applications
- High life time thanks to high quality materials
- Suitable for PCB mounting

Weblinks

[html-datasheet](#), [General Product Information](#), [CE declaration of conformity](#), [RoHS](#), [CHINA-RoHS](#), [CAD-Drawings](#), [Product News](#), [Detailed request for product](#)

Technical Data

Electrical Data

Switching Voltage	max. 125 VAC/ 50 VDC
Lifetime	> 100'000 actuations at Rated Switching Capacity
Insulation Resistance	> 1000 MΩ

Contact Material Silver

Switching Current	AC: 2 A / DC: 1.2 A
Contact Resistance	< 10 mΩ

Contact Material Gold

Switching Current	80 mA
Contact Resistance	< 20 mΩ

Mechanical Data

Actuating Force	3 - 5 N
Actuating Travel	2.4 ± 0.3 mm
End Actuating Travel	3.3 ± 0.4 mm
End Stop Strength	> 100 N
Lifetime	> 200'000 actuations

Climatical Data

Operating Temperature	-40 °C - 85 °C
Storage Temperature	-40 °C - 85 °C
IP-Protection	IP 40

Other Data

Contact Material	Ag / Au
------------------	---------

Soldering Data

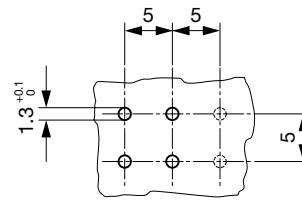
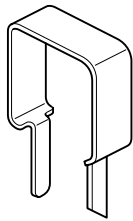
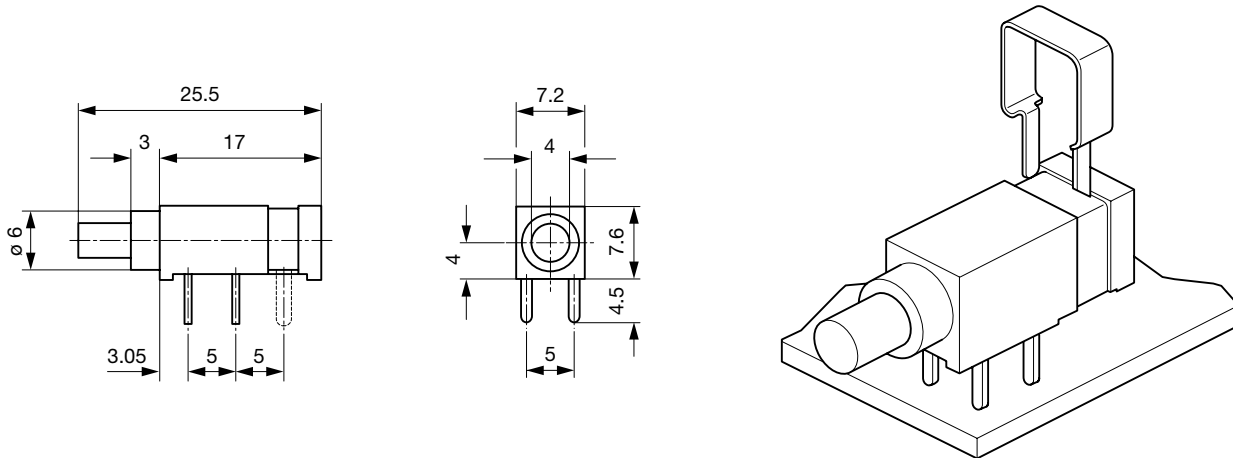
Solderability	235 °C / 2 sec (IEC 60068-2-20 Test Ta Method 1A)
Resistance to Soldering Heat	260 °C / 5 sec (IEC 60068-2-20 Test Tb Method 1)

Material

Socket	Thermoplastic (PC)
Button	Thermoplastic (PC)
Contact	gold (2µm Au on hard silver)

Detailed information on product approvals, code requirements, usage instructions and detailed test conditions can be looked up in [General Product Information](#)

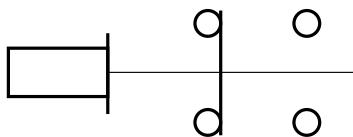
Dimension



The optional retaining bracket has to be ordered separately

Drilling diagram

Diagrams



All Variants

Description	Kontakte	Color Button	Bestellnummer
SDK SWITCH 0+S SW	Ag	black	0041.0401
SDK SWITCH 0+S RT	Ag	red	0041.0402
SDK SWITCH 0+S GN	Ag	green	0041.0403
SDK SWITCH 0+S SW	Au	black	0041.0411
SDK SWITCH 0+S RT	Au	red	0041.0412
SDK SWITCH 0+S GN	Au	green	0041.0413
RETAINING BRACKET SDK	-	-	0701.0049

Most Popular.

Availability for all products can be searched real-time:<http://www.schurter.com/en/Stock-Check/Stock-Check-SCHURTER>

Packaging unit 100 pcs