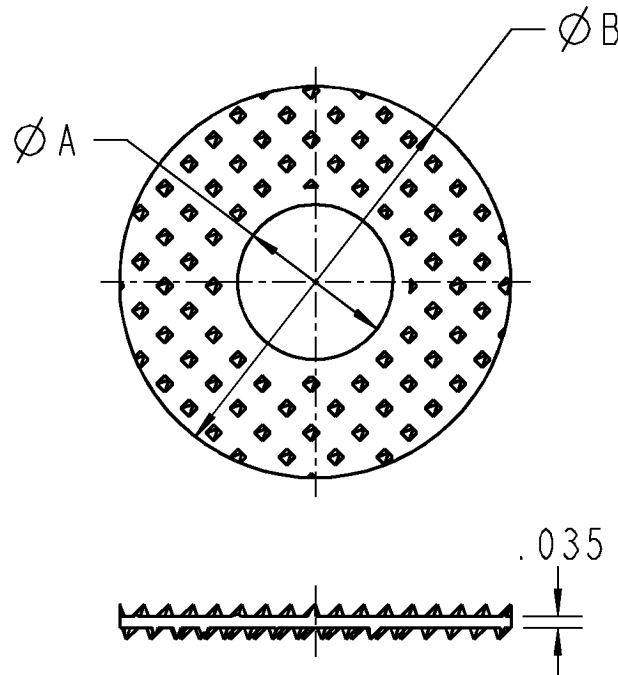




Dragon Tooth



MATERIAL: TIN PLATED COPPER ALLOY

FOR CONNECTING ALUMINUM TO ALUMINUM, COPPER TO COPPER, OR ALUMINUM TO COPPER LUGS AND BUS BAR.

ALSO SUITABLE FOR GROUNDING AND BONDING APPLICATIONS.

CATALOG NUMBER	BOLT SIZE	DIM. A	DIM. B
DTW14, FPW14	1/4	.27	.68
DTW516, FPW516	5/16	.34	1.00
DTW38, FPW38	3/8	.43	1.00
DTW12, FPW12	1/2	.56	1.25
DTW58, FPW58	5/8	.68	1.40

GENERAL NOTES

- ALL DIMENSIONS ARE FOR REFERENCE ONLY.
- DIMENSIONS IN BRACKETS [] ARE IN METRIC UNITS.

REVISIONS

** SEE ERN (****) FOR APPROVAL SIGNATURES & RELEASE DATE.
PROJECT NO: ****

Thomas & Betts
www.tnb.com

DESCRIPTION:

DRAGON TOOTH TRANSITION WASHERS

ORIGINAL PROJECT NO / (ERN NO)

CM402357 / (2010306)

SHEET NO:

1 OF 1

REV. NO:

**

DRAWING NO:

WSD-000471

THIS DRAWING IS INTENDED FOR DESCRIPTIVE PURPOSES ONLY. AND THE RIGHT IS RESERVED TO DEVIATE FROM ANY OF THE DETAILS SHOWN HEREON.

©2008 Thomas & Betts - Proprietary. All Rights Reserved