

PLEASE CHECK WWW.MOLEX.COM FOR LATEST PART INFORMATION

Part Number: [0850400012](#)
Status: **Active**
Overview: [DIN 41612](#)
Description: 2.54mm Pitch DIN 41612 Receptacle, Style B/2, 32 Circuits, Lead-Free

Documents:

[3D Model](#) [Product Specification PS-85042-001 \(PDF\)](#)
[Drawing \(PDF\)](#) [RoHS Certificate of Compliance \(PDF\)](#)

Agency Certification

CSA LR19980
 UL E29179

General

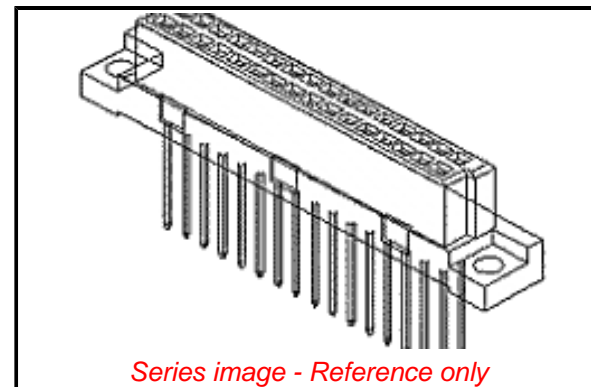
Product Family Backplane Connectors
 Series [85040](#)
 Application Daughtercard
 Comments No Mounting Clips. No Flux Proof
 Component Type PCB Receptacle
 Overview [DIN 41612](#)
 Product Name IEC 603-2/DIN 41612
 Style B/2
 UPC 800753856745

Physical

Circuits (Loaded) 32
 Circuits (maximum) 32
 Circuits Detail Standard Contacts at: A:a1-a16; B:b1-b16
 Durability (mating cycles max) 400
 First Mate / Last Break No
 Flammability 94V-0
 Guide to Mating Part No
 Keying to Mating Part Yes
 Material - Plating Mating Gold
 Net Weight 4.986/g
 Number of Columns 16
 Number of Pairs Open Pin Field
 Number of Rows 2
 Orientation Vertical
 PC Tail Length 2.90mm
 PCB Locator No
 PCB Retention Yes
 PCB Thickness - Recommended 1.60mm, 4.00mm
 Packaging Type Bag
 Pitch - Mating Interface 2.54mm
 Pitch - Termination Interface 2.54mm
 Polarized to PCB Yes
 Stackable No
 Surface Mount Compatible (SMC) No
 Temperature Range - Operating -55°C to +125°C
 Termination Interface: Style Through Hole

Electrical

Current - Maximum per Contact 1.0A
 Data Rate 622.0 Mbps
 Real Signals (per 25mm) 20
 Shielded No



EU ELV

Not Relevant

EU RoHS

Compliant

REACH SVHC

Not Contained Per -
 ED/30/2017 (7 July
 2017)

Halogen-Free

Status

Not Low-Halogen

**Need more information on product
 environmental compliance?**

Email productcompliance@molex.com
 Please visit the [Contact Us](#) section for any
 non-product compliance questions.

China ROHS	Green Image
ELV	Not Relevant
RoHS Phthalates	Not Contained

Search Parts in this Series

[85040](#) Series

Mates With

DIN 41612 Headers [85001](#) , [85011](#)

Voltage - Maximum	250V AC (RMS)
Solder Process Data	
Lead-freeProcess Capability	N/A
Material Info	
Reference - Drawing Numbers	
Product Specification	PS-85042-001
Sales Drawing	SDA-85040-0002, SDA-85040-0012

This document was generated on 08/03/2017

PLEASE CHECK WWW.MOLEX.COM FOR LATEST PART INFORMATION