

RoHS
Compliant

Features

- This 12Vp-p piezo transducer has a high sound output at 100dB
- The buzzer consists of a piezo element within a Nylon PA46 housing
- It has pin terminals and mounting holes
- The lead pin material is red copper (DSn)

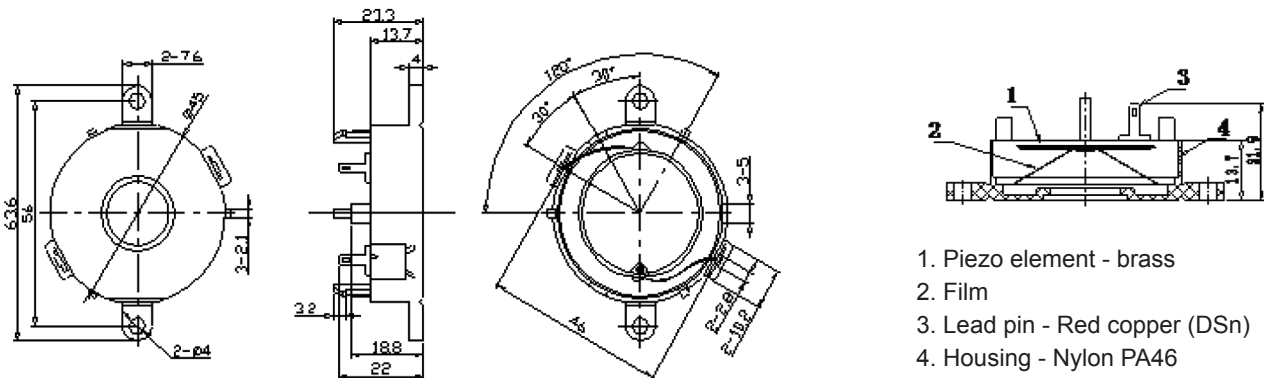
Specifications

Rated Voltage(V p-p square wave)	: 12Vp-p
Sound Output at 30cm	: ≥100dB (12Vp-p square wave, 3000Hz min.)
Frequency Response*	: 2200 ~ 4000Hz
Capacitance at 120Hz	: 140 ±30%nF
Continuous Drive Voltage (max)	: 50Vp-p (50% duty cycle)
Intermittent Drive Voltage (max)	: 60Vp-p (50% duty cycle)
Operating Temperature	: -40°C to +105°C
Storage Temperature	: -40°C to +105°C

*Value applying at rated voltage (AC)

Requires additional electronic circuitry to operate as a sounder

Diagram



Dimensions: Millimetres

Tolerance: ±0.5mm

Part Number Table

Description	Part Number
Piezo Buzzer, Transducer, 12VP-P, 100dB	ABT-462-RC

Important Notice : This data sheet and its contents (the "Information") belong to the members of the Premier Farnell group of companies (the "Group") or are licensed to it. No licence is granted for the use of it other than for information purposes in connection with the products to which it relates. No licence of any intellectual property rights is granted. The Information is subject to change without notice and replaces all data sheets previously supplied. The Information supplied is believed to be accurate but the Group assumes no responsibility for its accuracy or completeness, any error in or omission from it or for any use made of it. Users of this data sheet should check for themselves the Information and the suitability of the products for their purpose and not make any assumptions based on information included or omitted. Liability for loss or damage resulting from any reliance on the Information or use of it (including liability resulting from negligence or where the Group was aware of the possibility of such loss or damage arising) is excluded. This will not operate to limit or restrict the Group's liability for death or personal injury resulting from its negligence. pro-SIGNAL is the registered trademark of the Group. © Premier Farnell Limited 2016.