



■ Features:

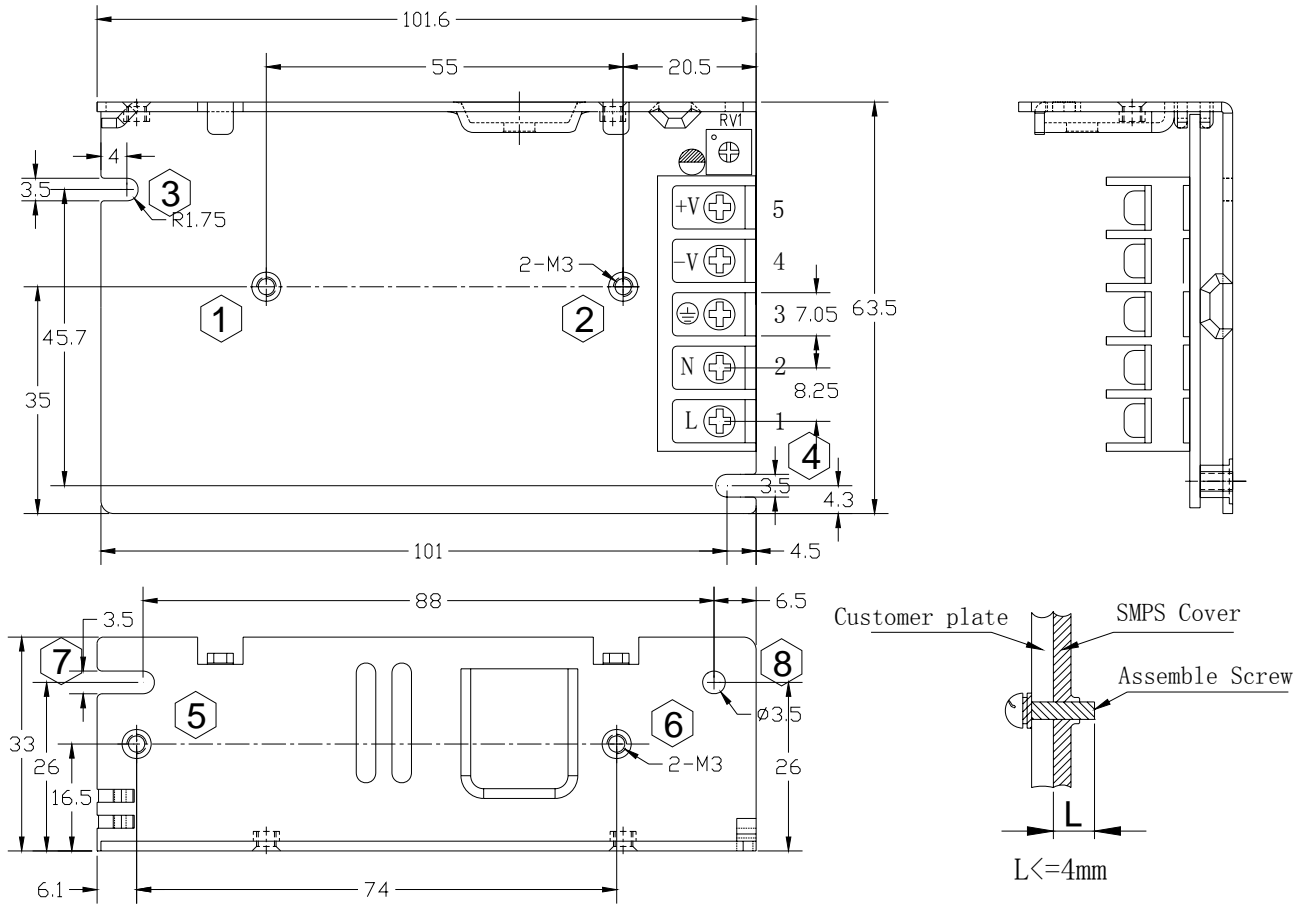
- No Load power consumption<0.5W
- Withstand 300VA surge input for 5 sec.
- High Efficiency, High reliability and long life
- Output protections: OLP/OVP/SCP
- Wide operating ambient temperature (-20°C~70°C)
- All using 105°C long life electrolytic capacitors.
- 100% full load burn-in test
- Terminal block with plastic cover
- 3 years warranty

SPECIFICATION

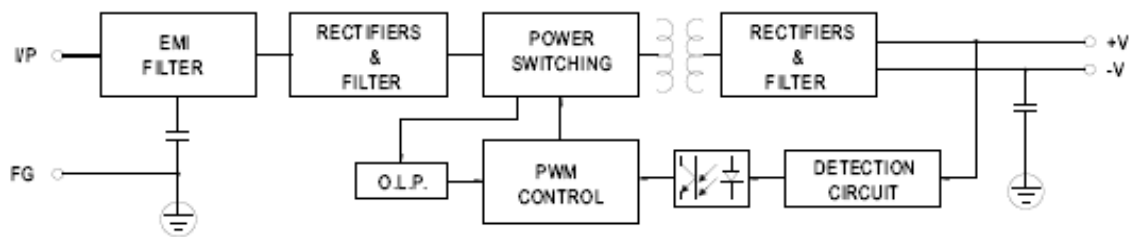
MODEL		PD-35-5	PD-35-12	PD-35-15	PD-35-24	PD-35-48	
OUTPUT	DC Output	5V	12V	15V	24V	48V	
	Rated Current	6A	3A	2.3A	1.5A	0.75A	
	Current Range	0~6A	0~3A	0~2.3A	0~1.5A	0~0.75A	
	Ripple and Noise	0~70°C	<50mV	<80mV	<120mV	<120mV	<180 mV
		Note 2 -20~0°C	<80mV	<180mV	<200mV	<200mV	<240mV
	Voltage ADJ. Range	4.75V~5.5V	11.4V~13.2V	14.3~16.5V	22.8V~26.4V	45.6V~52.8V	
	Voltage Accuracy	±3.0%	±3.0%	±3.0%	±3.0%	±3.0%	
	Line Regulation	±0.5%	±0.5%	±0.5%	±0.5%	±0.5%	
	Load Regulation	±1.0%	±1.0%	±1.0%	±1.0%	±1.0%	
	Set-up Time	<1S (230Vac input, Full load);					
	Hold up Time	>20mS(230Vac input, Full load); >10mS(120Vac input, Full load)					
Temperature Coefficient	±0.03%/°C						
Overshoot and Undershoot	<5.0%						
INPUT	Voltage Range	90Vac~264Vac, 127~370Vdc					
	Frequency Range	47Hz~63Hz					
	Efficiency (Typical)	115Vac input	79%	83%	85%	86%	87%
		230Vac input	80%	84%	86%	87%	88%
	AC Current (max.)	<1A(max)					
	Inrush Current (Typical)	<50A@230Vac Cold start					
Leakage Current	Input—output:<3.5mA Input—PG:<0.25mA						
PROTECTION	Over Load	105%-150% of rated output current, constant power,auto recovery					
	Over Voltage	105%-150% of rated output voltage, Constant Voltage					
	Short Circuit	Long-term mode, auto recovery					
ENVIRONMENT	Operating amb. Temp. & Hum.	-20°C~70°C; 20%-90%RH No condensing((refer to the derating curve)					
	Storage Temp. & Hum.	-40°C~85°C; 10%-95%RH No condensing					
SAFETY & EMC Note 3	Safety Standards	UL60950-1; EN60950-1: 2006					
	Withstand Voltage	Primary-Secondary:3.0KVac; ≤ 10mA .Primary-PG:1.5KVac; ≤ 10mA. Secondary-PG:0.5KVDC; ≤					
	Isolation Resistance	≥100M ohms					
	EMI Conduction&Radiation	Compliance to EN55022(CISPR22) ClassB					
	Harmonic Current	Compliance to EN61000-3-2,-3					
	EMS Immunity	Compliance to EN61000-4-2,3,4,5,6,8,11; ENV50204,light industry level,criteriaA					
OTHERS	MTBF (MIL-HDBK-217F)	More than 200,000Hrs (25°C, Full load)					
	Dimension (L*W*H)	101.6×63.5×33mm					
	Packing	60PCS/CTN, 15.08KGS, 0.06CBM					
	Cooling method	Cooling by free air convection					
NOTE	<ol style="list-style-type: none"> All parameters NOT specially mentioned are measured at 230Vac input, rated load and 25°C of ambient temperature. Measured at 20MHz of bandwidth by using a 12" twisted pair-wire terminated with a 0.1 uF & 47uF parallel capacitor. The SPS is considered a component which will be installed into final equipment. The equipment must be re-confirmed that it still meets EMC directives. We offer accessories for Din-35 rail bar. Please contact sales staff for details. 						

Mechanical Specification

Unit: mm



Block Diagram



Derating Curve

