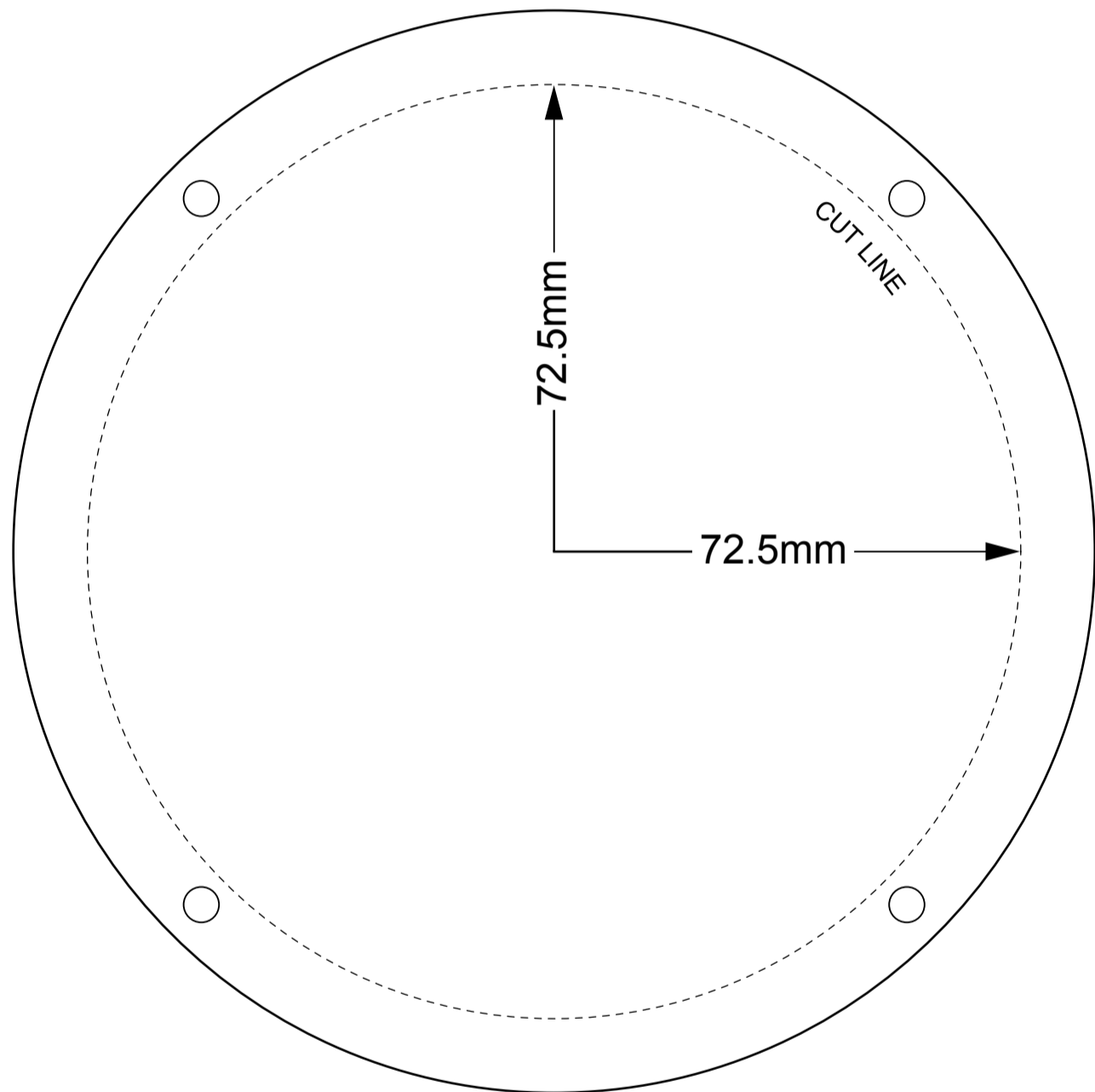




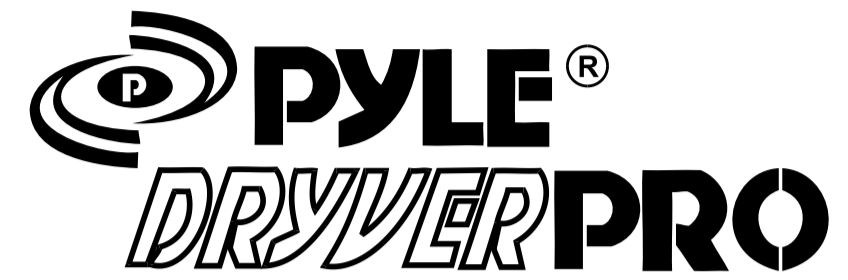
TEMPLATE FOR PMW6A



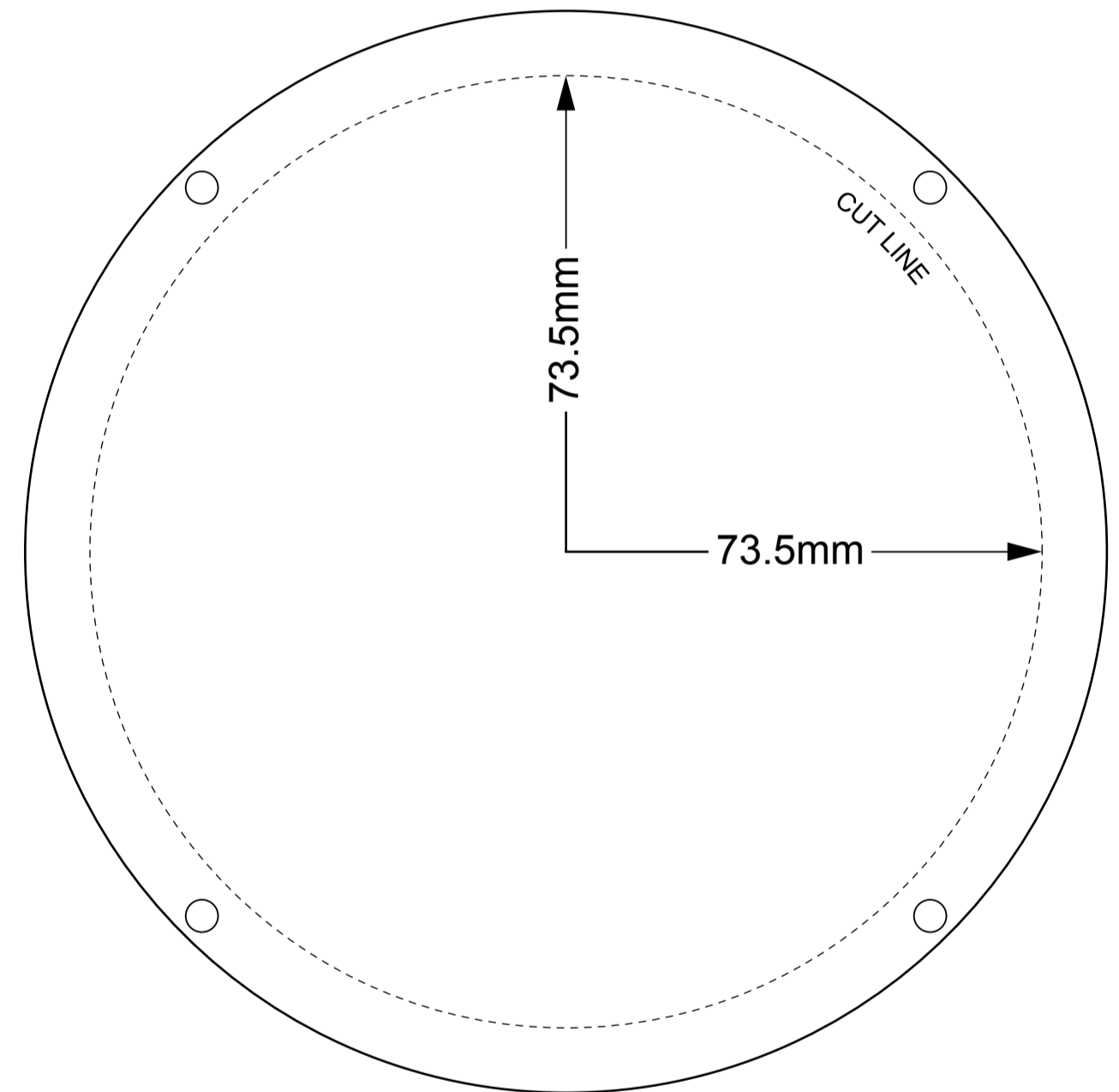
SPEAKER PARAMETER

MODEL	Fo (Hz)	Qms	Qes	Qts	Vas (CuFt)	SPL (dB)	MAX POWER (W)
PMW6A	122	11.52	1.21	1.09	170.714m	97	400

[www.pyleaudio.com](http://www.pyleaudio.com)



TEMPLATE FOR PDMR6



SPEAKER PARAMETER

MODEL	Fo (Hz)	Qms	Qes	Qts	Vas (CuFt)	SPL (dB)	MAX POWER (W)
PDMR6	321	7.55	5.48	3.18	17.083m	93	300

[www.pyleaudio.com](http://www.pyleaudio.com)