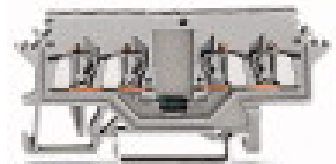




4-conductor diode terminal block; with diode 1N4007

Item No.: 280-623/281-411



4-conductor diode terminal block; with diode 1N4007

Marking

RoHS ✓
Compliant

Business data

Supplier	WAGO
Item no.	280-623/281-411
GTIN / EAN	4050821275428
Content	1
Order amount	100
Customer item number	

Notes

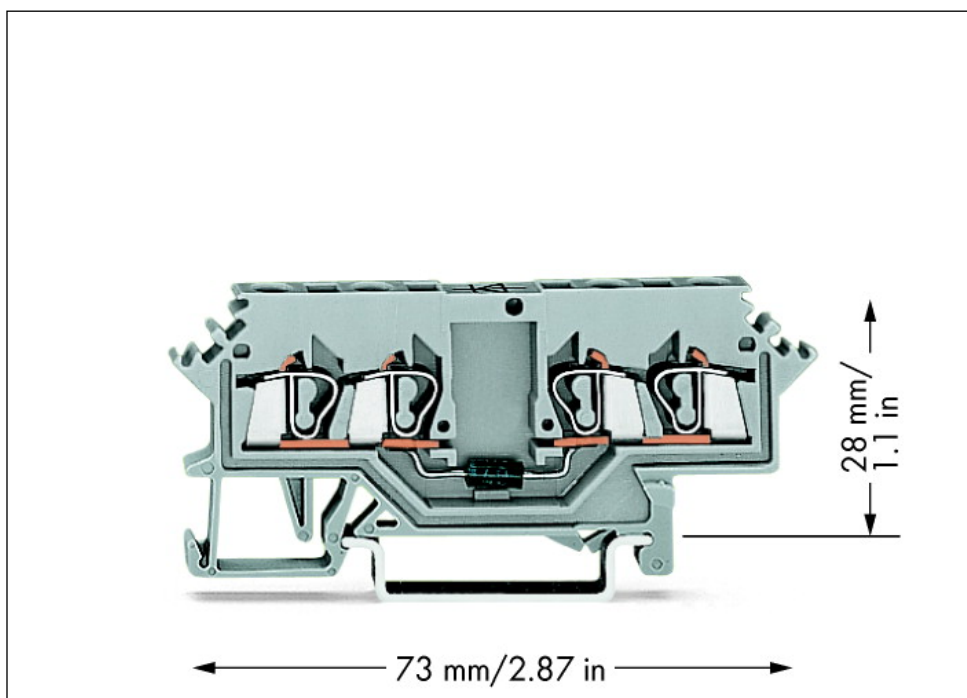
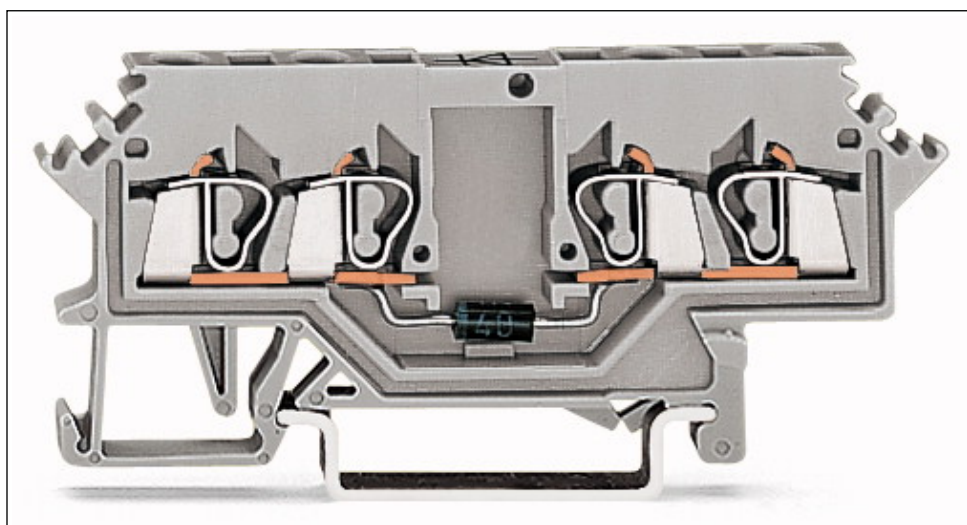
Technical data

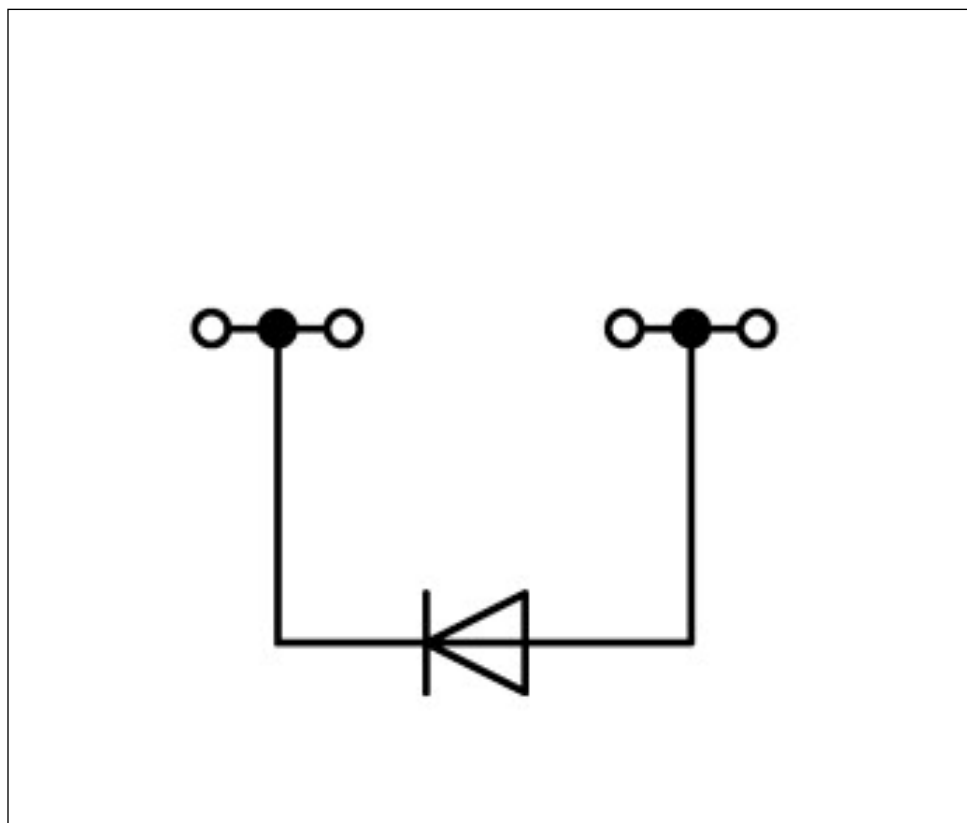
Miscellaneous

Packaging type	BOX
Ratings per	IEC/EN 60947-7-1
Rated current [A]	0.5 [A]
Nominal voltage [V]	250 [V]
Reverse voltage [V]	1000 [V]
Type of wiring	Front-entry wiring

Technical data	
<i>Total number of connection points</i>	4
<i>Total number of potentials</i>	1
<i>Number of levels</i>	1
<i>Connection technology</i>	CAGE CLAMP®
<i>Number of connection points (connection type)</i>	4
<i>Actuation type</i>	Operating tool
<i>Connectable conductor materials</i>	Copper
<i>Solid conductor</i>	0.08 ... 2.5 mm ² / 28 ... 14 AWG
<i>Fine-stranded conductor</i>	0.08 ... 2.5 mm ² / 28 ... 14 AWG
<i>Strip length</i>	8 ... 9 mm / 0.31 ... 0.35 Inch
<i>Width</i>	5 mm / 0.197 Inch
<i>Height from upper-edge of DIN-35 rail</i>	28 mm / 1.102 Inch
<i>Depth</i>	73 mm / 2.874 Inch
<i>Design</i>	horizontal
<i>Type of mounting</i>	Carrier rail 35 x 15
<i>Marking level</i>	Side marking
<i>Color</i>	gray
<i>Insulating material</i>	Polyamide 66 (PA 66)
<i>Fire load [MJ]</i>	0.157 [MJ]
<i>Weight [g]</i>	8.713 [g]

Images & drawings





Address

WAGO Kontakttechnik GmbH & Co. KG

Hansastr. 27

32423 Minden

Telefon: 0571/887-0

Fax: 0571/887-169

<http://www.wago.com>

© WAGO Kontakttechnik GmbH & Co. KG

Technische Änderungen und Irrtümer vorbehalten.