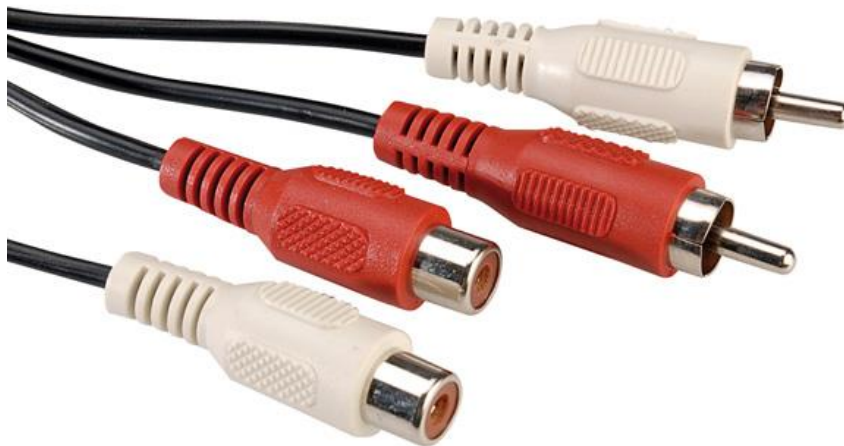




Datenblatt - Fiche technique - Data sheet

11.09.4326

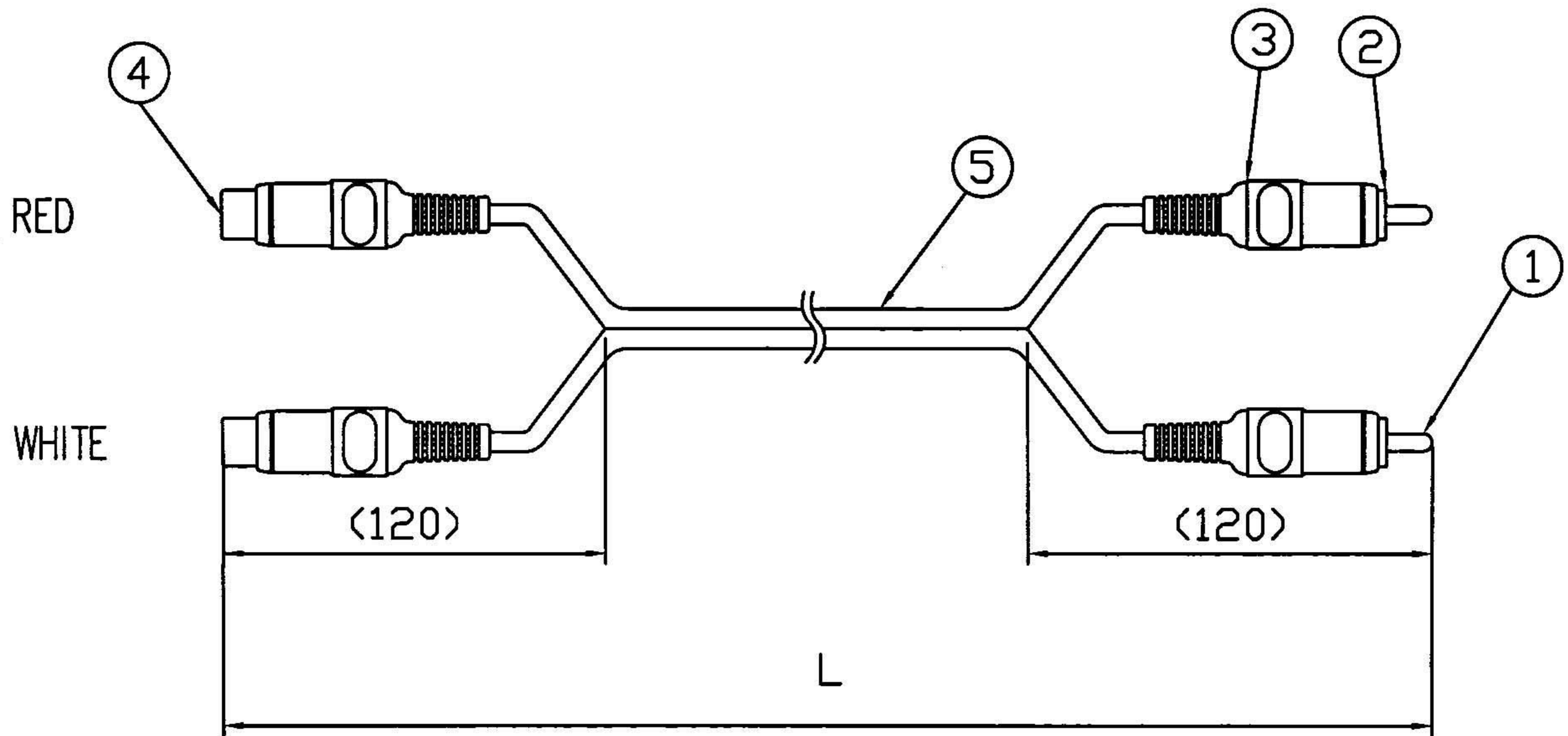


ROLINE Cinch-Verlängerungskabel duplex ST/BU, 5m

ROLINE Câble rallonge 2x RCA M/F, 5m

ROLINE Cinch Extension Cable, 2x RCA M-F, 5 m

1. DIMENSION



Item no.	L
11.09.4322	1500±50
11.09.4326	5000±150
11.09.4330	10000±200

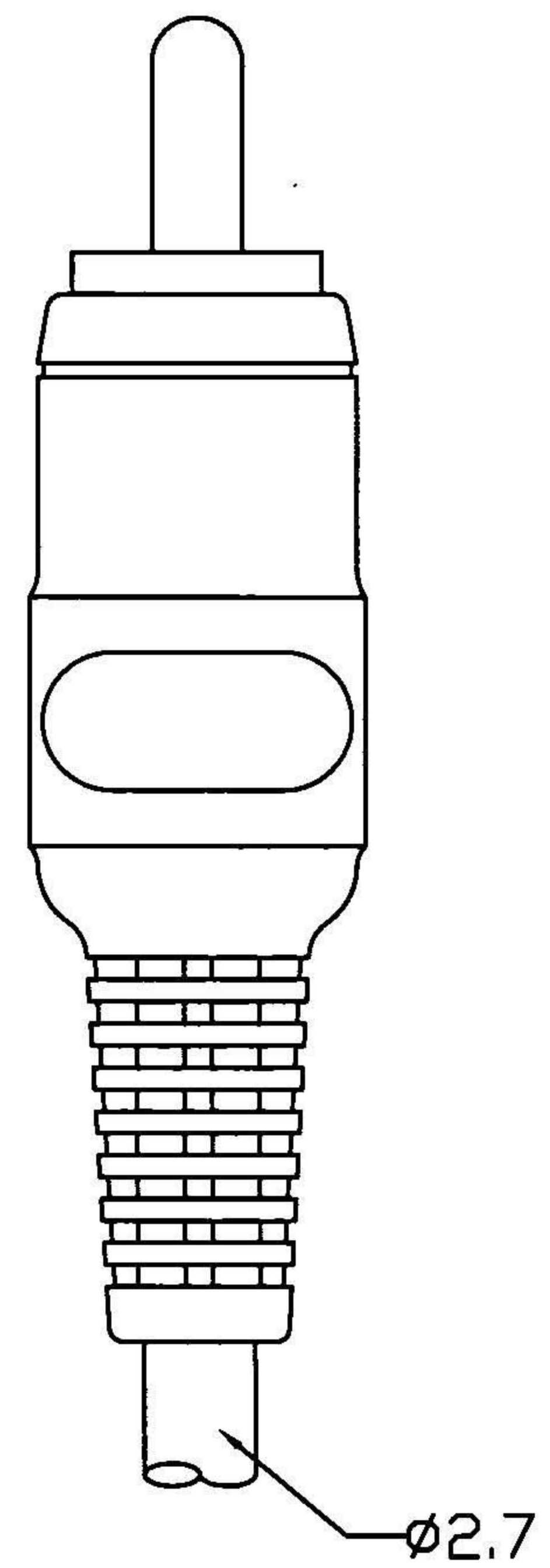
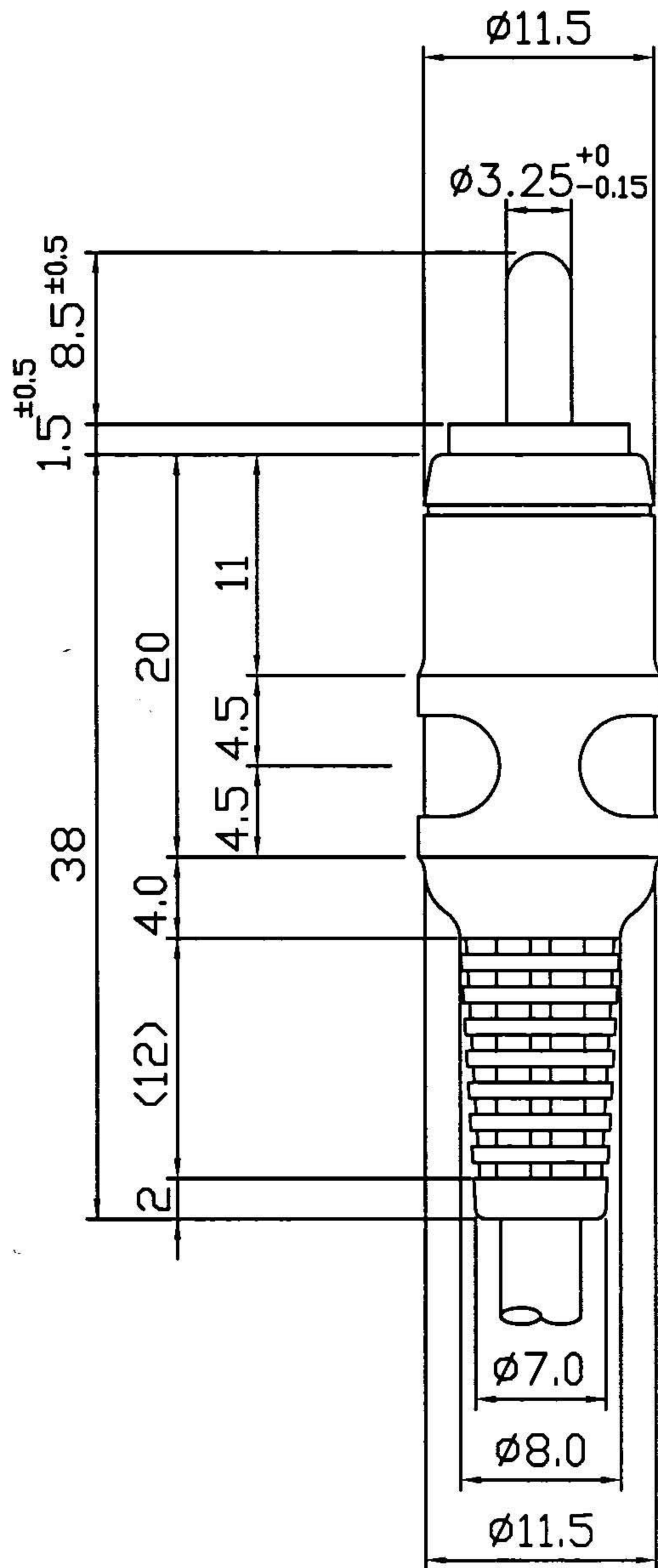
2. PART LISTS

5	CABLE $\phi 2.7 \times 2.7$	PVC (BLACK)
4	RCA JACK A'SSY	BRASS NICKEL PLATED
3	RCA PL/JK CAP	PVC (RED)(WHITE)
2	RCA RING	BRASS NICKEL PLATED
1	RCA PIN	BRASS NICKEL PLATED
NO.	PART'S NAME	MATERIAL. FINISHED. COLOR

REV:01

△					表面 FINISHED		Rotronic Co., Ltd.
△					顏色 COLOR		
△					厚度 THICKNESS		
△					處理 PROCESS		
△					材質 MATERIAL		
△					公差 TOLERANCE		
△					比例 SCALE		
記號 MARK	修正 REVISION	日期 DATE	擔當 SIGN	承認 APPO	單位 UNIT		件 號
承 認	檢 圖	設 計	製 圖	製 圖			PART NO 11.09.4322,26,30
04-9-2	04.08.02	04.08.02	04.08.02	93.8.2			DESCRIPTION. AUDIO CONNECTION CABLE
許文勳	許文勳	許文勳	許文勳	何俊昇	mm		DRAWN NO. SP-1519
							SHEET 1/6

3. RCA PLUG DIMENSION

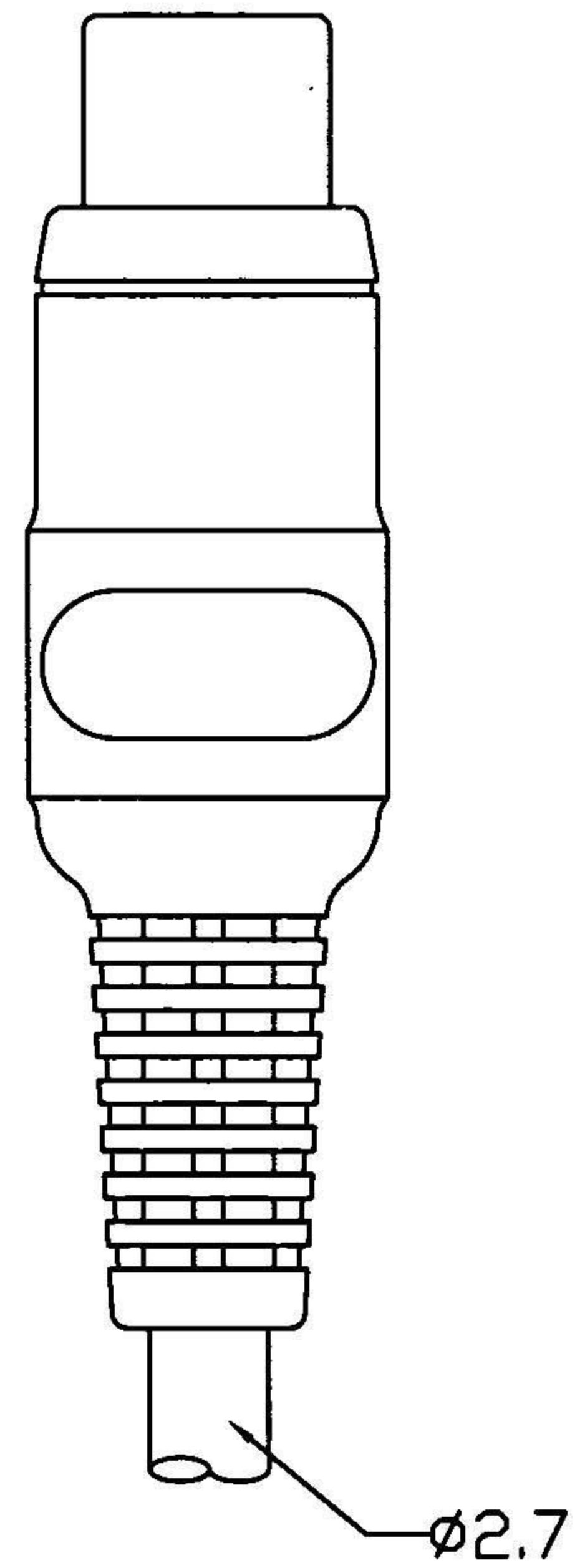
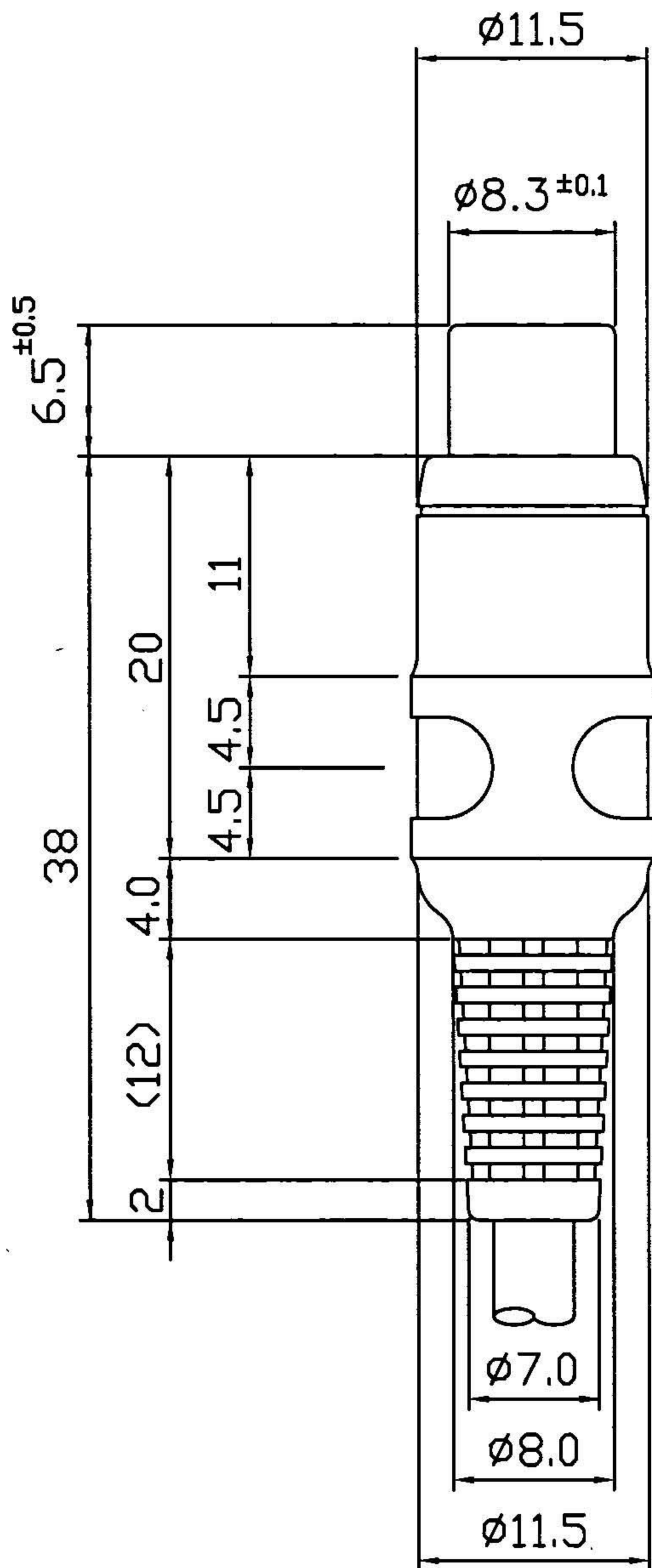


STS-2

$L \leq 4$	± 0.1
$4 < L \leq 16$	± 0.2
$16 < L \leq 63$	± 0.3
$63 < L \leq 250$	± 0.4
$250 < L$	± 0.6

名 稱	DESCRIPTION. AUDIO CONNECTING CORD	圖 號	DRAWN NO. SP-1519	SHEET 2
--------	--	--------	-----------------------------	-------------------

3-1. RCA JACK DIMENSION

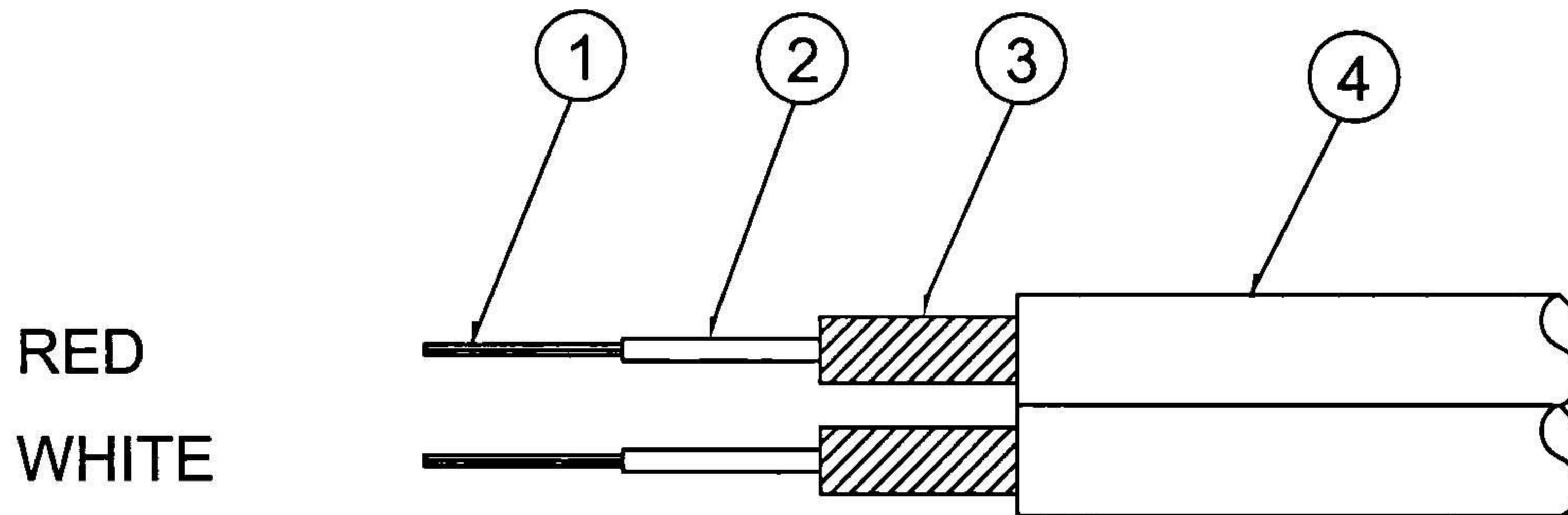


STS-2

$L \leq 4$	± 0.1
$4 < L \leq 16$	± 0.2
$16 < L \leq 63$	± 0.3
$63 < L \leq 250$	± 0.4
$250 < L$	± 0.6

名 稱	DESCRIPTION. AUDIO CONNECTING CORD	圖 號	DRAWN NO. SP-1519	SHEET 3
--------	--	--------	-----------------------------	-------------------

4 CORD SPEC



	DESCRIPTION	MATERIAL	SPECIFICATION
①	CONDUCTOR	COPPER	0.12*10
②	CORE DIA.	PE (R)(W)	$\phi 1.3^{\pm 0.05}$
③	SHIELD WIRE	COPPER	0.12*28 MIN
④	JACKET	PVC	$\phi 2.7^{\pm 0.1} * \phi 2.7^{\pm 0.1}$ mm
	NON MIGRATION	BLACK	FOR ABS PLATE

名 稱	DESCRIPTION. AUDIO CONNECTION CABLE	圖 號	DRAWN NO. SP-1519	SHEET 4
--------	---	--------	-----------------------------	-------------------

5. CHARACTERISTICS

STANDARD ATMOSPHERIC CONDITIONS

UNLESS OTHERWISE SPECIFIED, THE STANDARD RANGE OF ATMOSPHERIC CONDITIONS FOR MAKING MEASUREMENTS AND TESTS ARE AS FOLLOWS:

AMBIENT TEMPERATURE : 5°C TO 35°C
 RELATIVE HUMIDITY : 45% TO 85%
 AIR PRESSURE : 86KPa TO 106KPa

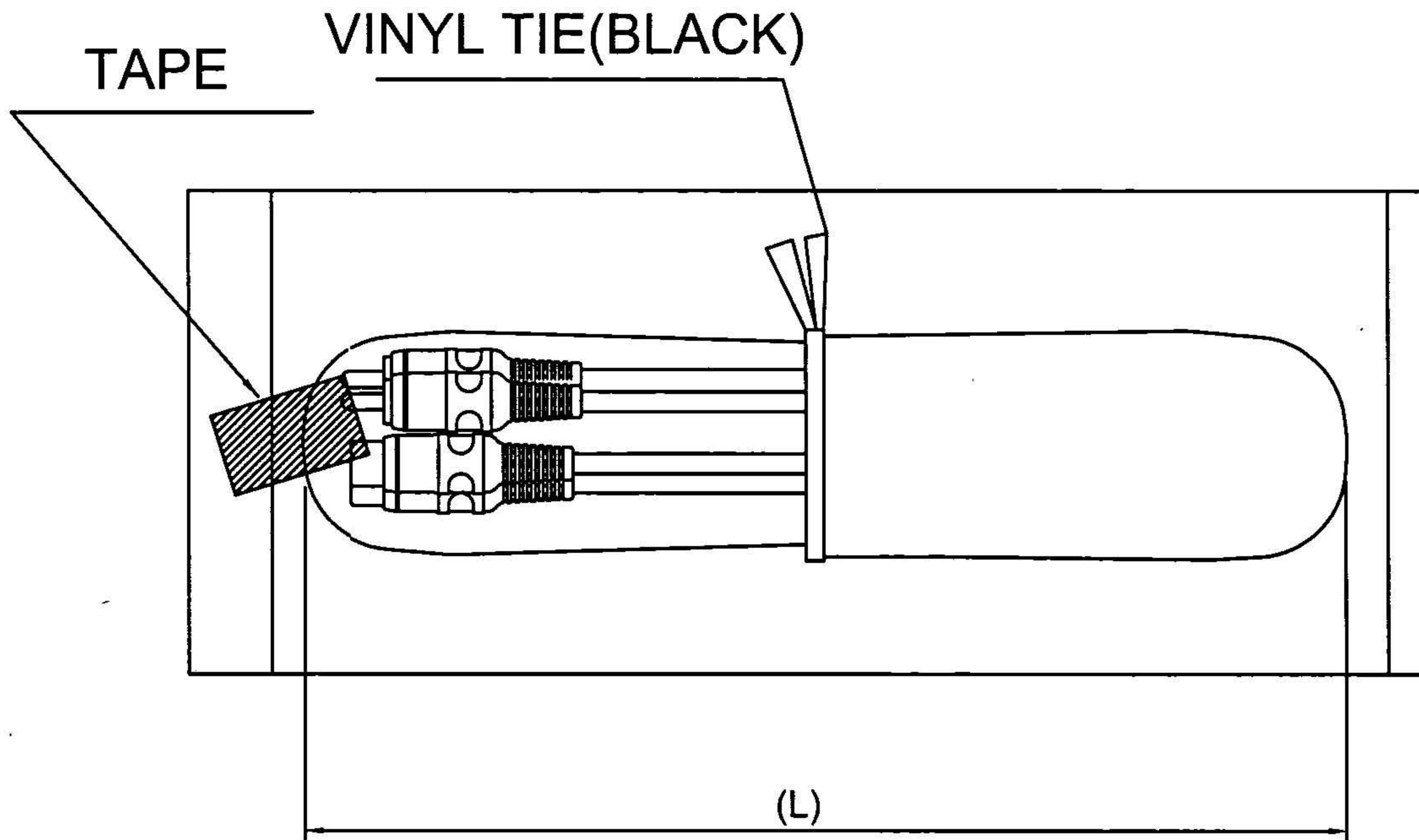
IF THERE IS ANY DOUBT ABOUT THE RESULTS. MEASUREMENTS SHALL BE MADE WITHIN THE FOLLOWING LIMITS:

AMBIENT TEMPERATURE : 20±2°C
 RELATIVE HUMIDITY : 60% TO 70%
 AIR PRESSURE : 86KPa TO 106KPa

NO	ITEMS	CONDITIONS	SPECIFICATIONS
1	APPEARANCE		NO DEFECTS SUCH AS CRACKS, SCRATCHES OR BLEMISHES.
2	INSERTION FORCE WITHDRAWAL FORCE	MEASUREMENT SHALL BE MADE AFTER INSERTING INTO ITS MATING PLUG OR SOCKET 3 TIMES. RCA PLUG / JACK	2.94N(0.3Kgf) ~ 29.4N(3.0Kgf)
3	TENSILE STRENGTH	BETWEEN CABLE & CONNECTOR 29.4N(3.0KGF) , 1 MINUTE	NO DAMAGE SUCH AS DISPLACEMENT OR INSULATION DAMAGE,ETC
4	FLEXING TEST	300G, ±60°,1000TURNS 15~20/PER MIN TURNS	NO DAMAGE SUCH AS DISPLACEMENT OR INSULATION DAMAGE,ETC
5	INSULATION RESISTANCE	DC 250V 1 MINUTE BETWEEN CONDUCTORS	100 MΩ OR MORE
6	DIELECTRIC STRENGTH	AC 250V SHALL BE APPLIED FOR 1 MINUTE WITH TRIP CURRENT 2 mA BETWEEN CONDUCTORS	WITHOUT DAMAGE SUCH AS ELECTRIC BREAKDOWN
7	ABS NON-MIGRATION	TEMPERATURE : 54 ± 1 °C TIME : 24± 1H WEIGHT : 500 ±25 G	WHEN VISUALLY INSPECTED. ANY STAINING OF THE AREA OF THE ABS THAT WAS IN CONTACT WITH THE TEST PIECES SHALL HARDLY BE RECOGNIZED

名 稱	DESCRIPTION. AUDIO CONNECTING CORD	圖 號	DRAWN NO. SP-1519	SHEET 5
--------	--	--------	-----------------------------	-------------------

6. PACKAGE



Item no.	(L)
11.09.4322	125
11.09.4326	156
11.09.4330	156

名 稱	DESCRIPTION.	圖 號	DRAWN NO.	SHEET
	<i>AUDIO CONNECTION CABLE</i>		<i>SP-1519</i>	<i>6</i>