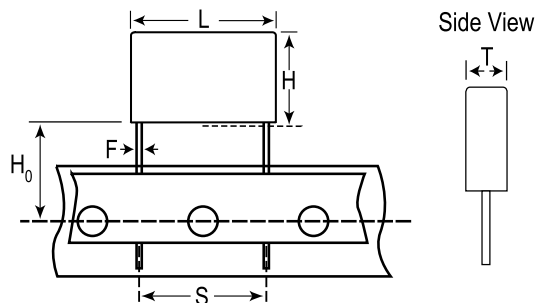


KEMET Part Number: PME261JA4470MR19T0
(P561HL472M500L)

PME261/P561, Film, Metallized Paper, Commercial Grade, 4700 pF, 20%, 1,000 V, 85C, Lead Spacing = 10.2mm



General Information	
Supplier:	KEMET
Series:	PME261/P561
Dielectric:	Metallized Paper
Style:	Radial
Features:	Pulse in DC and low frequency applications
RoHS:	Yes
Lead:	Wire Leads
Construction:	Molded
Miscellaneous:	AC Operation: 70C MAX

Dimensions	
L	13.5mm MAX
H	10.5mm MAX
T	5.1mm MAX
S	10.2mm +0.6/-0.1mm
H0	18.5mm +/-0.5mm
F	0.6mm +/-0.05mm

Specifications	
Capacitance:	4700 pF
Capacitance Tolerance:	20%
Voltage DC:	1000 VDC
Voltage AC:	500 VAC
Temperature Range:	-40/+100C
Rated Temperature:	85C
Dissipation Factor:	1.3% 1kHz
Insulation Resistance:	12 GOhms
Max dVdt:	2,000 V

Packaging Specifications	
Packaging:	T&R
Packaging Quantity:	600