

# Series JWS/JWT



# 50-600

**WATTS**

**POWER SUPPLY AC/DC**

**SINGLE AND TRIPLE OUTPUT**

**Universal input**

**PFC EN61000-3-2 compliant**

**EMI meets EN 55022-B  
EN 55011-B**

**Remote on/off signal (option)**

**Low cost**

**JWS  
Guarantee 5 years**

**JWT  
Guarantee 3 years**

## INPUT

Input voltage range	85-265 VAC
Frequency	47 - 63Hz
Inrush current (to 200 VAC)	< 28 A JWS 150, 300, 600 < 50 A
DC input	120 - 330 VDC

## OUTPUT

Power (convection cooled) (fan cooled)	50 to 600 W 50, 75, 100, 150W 300, 600W
Voltage adjustment	see table of models (1% model 2V)
Line regulation	0.4% (0.6% model 3.3 V) (1% model 2V)
Load regulation	0.8% max (1.2% model 3.3 V) (1.5% model 2V)
Hold up	20 ms
Ripple and noise (value peak to peak)	3.3 V - 5 V                      120 mV 12 V - 15 V - 24 V    150 mV 48 V                                      200 mV
Temperature coefficient	< 0.02%/°C < 0.03%/°C for JWT (outputs)
Over current protection	current limit
Over voltage protection	standard

## GENERAL

Efficiency	65 to 80% model dependent
Voltage isolation :	
Input-output	3000 VAC
Input-ground	2000 VAC
Output-ground	500 VAC

## ENVIRONMENTAL

Operating temperature range	-10°C to +65°C
Derating (typ)	-10°C to +50°C    100% +65°C                      50%
Storage temperature	-30°C to +85°C
Relative humidity	
operating	30% to 90%
storage	10% to 95%
Shock	20G
Vibration	2G
EMI	- Conducted and radiated EN 55011 and 55022 curve B - FCC curve B - VCCI curve B - Immunity EN 61000-4-2/3/4/5/6 - Certification VDE 0160 (machinery directive)

## OUTLINE SPECIFICATION (continued)

### PHYSICAL CHARACTERISTICS

Dimensions	see physical specification
Type of connections	JWT 70 and 100
Input/output	JWS 50 and 75 barrier strip or molex (see options) JWS 100, 150, 300 and 600 barrier strip only
Format	enclosed (see options)

## TABLE OF MODELS

Model*	Case	Max. Power Watts	Output Volts (Adjustm.)	Amp.	Model*	Case	Max. Power Watts	Output Volts (Adjustm.)	Amp.
JWS 300-2	300	120	2 (+20%; -10%)	60	JWS 300-12	300	324	12 (+20%; -10%)	27
JWS 600-2	600	240		120	JWS 600-12	600	636		53
JWS 50-3	50	33	3.3 (+10%; -13%)	10	JWS 50-15	50	52.5	15 ±10%	3.5
JWS 75-3	75	49.5		15	JWS 75-15	75	75		5
JWS 100-3	100	66		20	JWS 100-15	100	105		7
JWS 150-3	150	99		30	JWS 150-15	150	150		10
JWS 300-3	300	198		60	JWS 300-15	300	330	15 (+20%; -10%)	22
JWS 600-3	600	396		120	JWS 600-15	600	645		43
JWS 50-5	50	50	5 ±10%	10	JWS 50-24	50	52.8	24 ±10%	2.2
JWS 75-5	75	75		15	JWS 75-24	75	76.8		3.2
JWS 100-5	100	100		20	JWS 100-24	100	108		4.5
JWS 150-5	150	150		30	JWS 150-24	150	156		6.5
JWS 300-5	300	300	5 (+20%; -10%)	60	JWS 300-24	300	336	24 (+20%; -10%)	14
JWS 600-5	600	600		120	JWS 600-24	600	648		27
JWS 100-6	100	100.2	6 (+/-10%)	16.7	JWS 50 28	50	56	28 ±10%	2
JWS 300-6	300	300	6 (+20%; -10%)	50	JWS 600 28	600	644	28 (+20%; -10%)	23
JWS 600-6	600	600	6 (+20%; -10%)	100	JWS 50-48	50	52.8	48 ±10%	1.1
JWS 600-8	600	544	8 (+20%; -10%)	68	JWS 75-48	75	76.8		1.6
JWS 50-9	50	50.4	9 ±10%	5.6	JWS 100-48	100	100.8		2.1
JWS 100-9	100	100.8		11.2	JWS 150-48	150	158.4		3.3
JWS 300-9	300	300	9 (+20%; -10%)	34	JWS 300-48	300	312		6.5
JWS 600-9	600	612	9 (+20%; -10%)	68	JWS 600-48	600	624		13
JWS 50-12	50	51.6	12 ±10%	4.3					
JWS 75-12	75	75.6		6.3					
JWS 100-12	100	102		8.5					
JWS 150-12	150	156		13					

\* **Standard** : barrier strip and cover – Suffix 'A' (refer to options)

Model*	Case	Max. Power	Output 1		Output 2		Output 3	
		Watts	Volts	Amp.	Volts	Amp.	Volts	Amp.
JWT 75-522	75	75	+5	8 <sup>1</sup>	+12	4	-12	0.5
JWT 100-522	100	100	+5	13 <sup>1</sup>	+12	5.5	-12	1
JWT 75-5FF	75	75	+5	8 <sup>1</sup>	+15	3.2	-15	0.5
JWT 100-5FF	100	100	+5	13 <sup>1</sup>	+15	4.5	-15	1
JWT 75-525	75	75	+5	8 <sup>1</sup>	+12	4	-5	0.5
JWT 100-525	100	100	+5	13 <sup>1</sup>	+12	5.5	-5	1

\* **Standard** : barrier strip and cover – Suffix 'A' (refer to options)

Note: 1 - minimum load : 10%

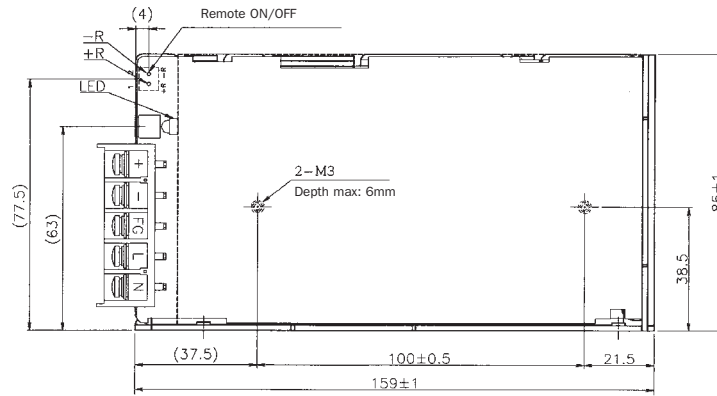
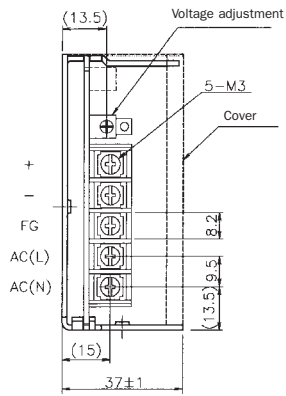
## OPTIONS

Option B	: open frame with molex connectors (JWS50/75 JWT 75/100)
Option C	: cover and molex connectors (JWS50/75 JWT 50/75), example: JWS 50-5/C
No Suffix	: open frame with barrier strip
Option R	: remote control

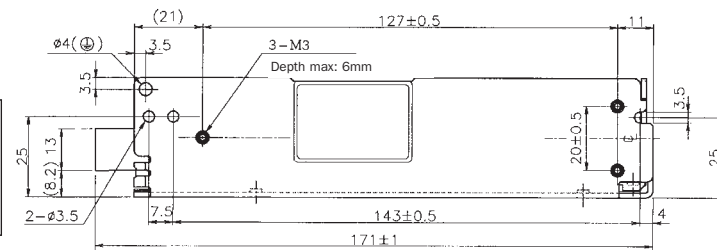
# PHYSICAL SPECIFICATION

## JWS 50 (barrier strip)

Weight 0.35 kg

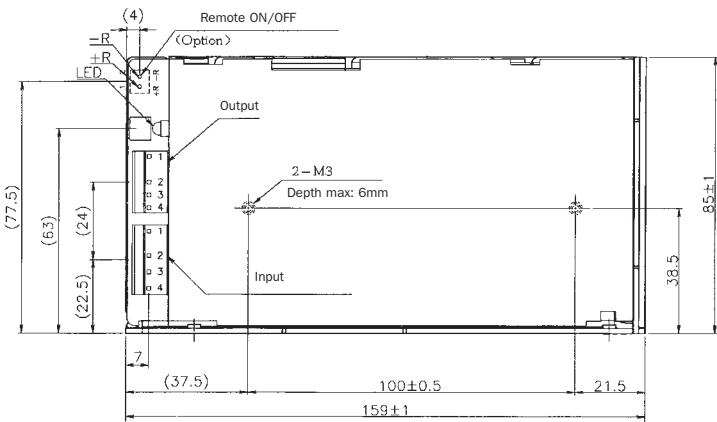
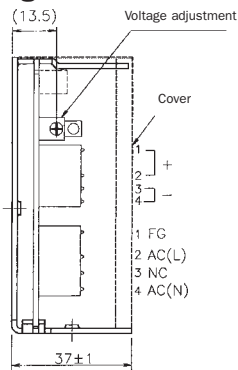


Remote ON/OFF - Connector JST	
Connector	B2B-XH-A
Housing	XHP-2
Terminal pin	BXH-001T-P0.6 or SXH-001T-P0.6

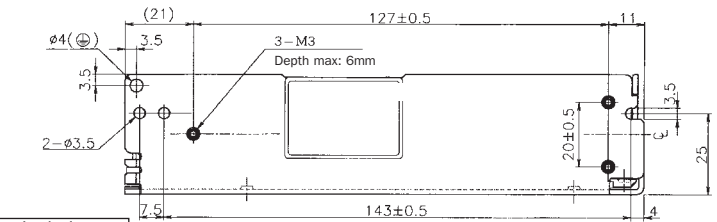


## JWS 50 (molex connectors)

Weight 0.35 kg



Remote ON/OFF - Connector JST	
Connector	B2B-XH-A
Housing	XHP-2
Terminal pin	BXH-001T-P0.6 or SXH-001T-P0.6



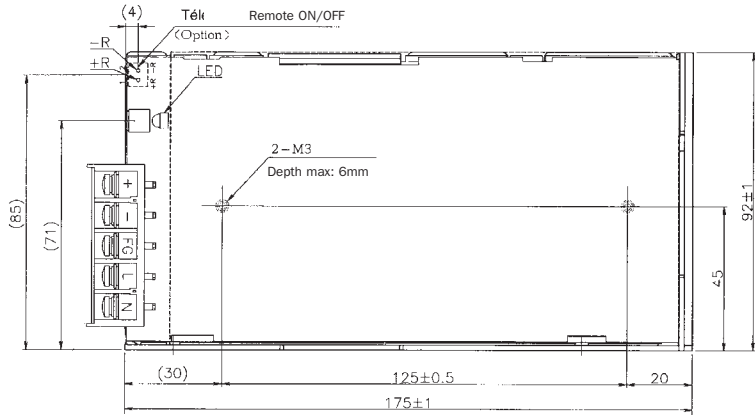
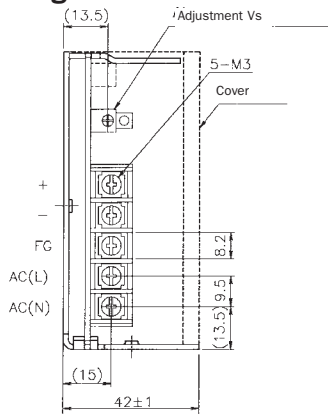
Connectors MOLEX	Housing	Terminal pin
Input connector	5289-4A	5199-04 5194
Output connector	5277-4A	5196-04 5194

dimensions in mm

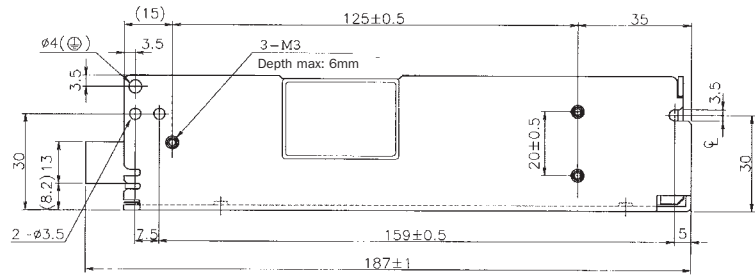
# PHYSICAL SPECIFICATION (continued)

## JWS 75 (barrier strip)

Weight 0.45 kg

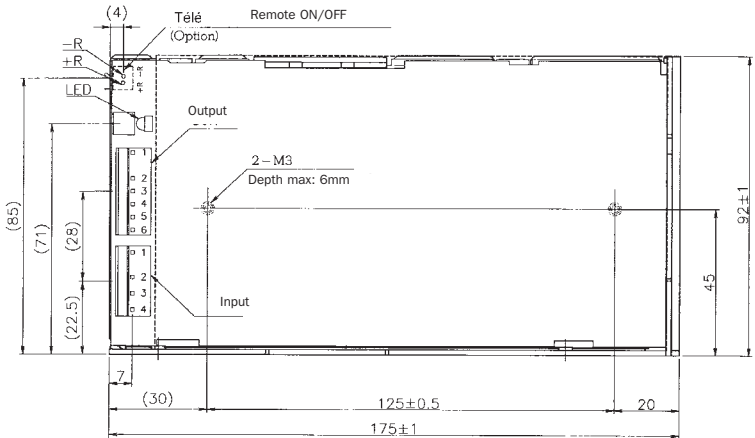
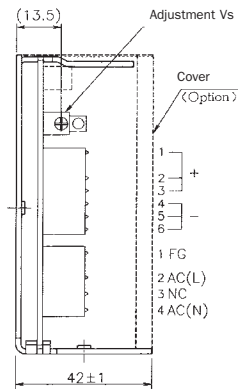


Remote ON/OFF - Connector JST	
Connector	B2B-XH-A
Housing	XHP-2
Terminal pin	BXH-001T-PO.6 or SXH-001T-PO.6



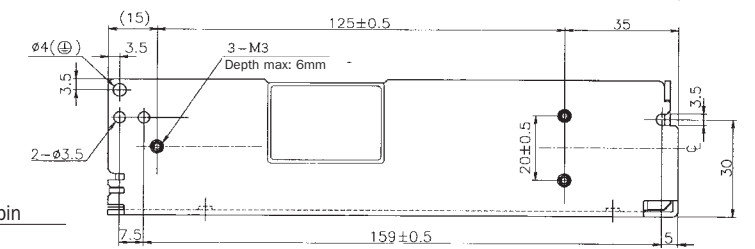
## JWS 75 (molex connectors)

Weight 0.45 kg



Remote ON/OFF - Connector JST	
Connector	B2B-XH-A
Housing	XHP-2
Terminal pin	BXH-001T-PO.6 or SXH-001T-PO.6

Connectors MOLEX	Housing	Terminal pin
Input connector	5289-4A	5199-04
Output connector	5277-4A	5196-04

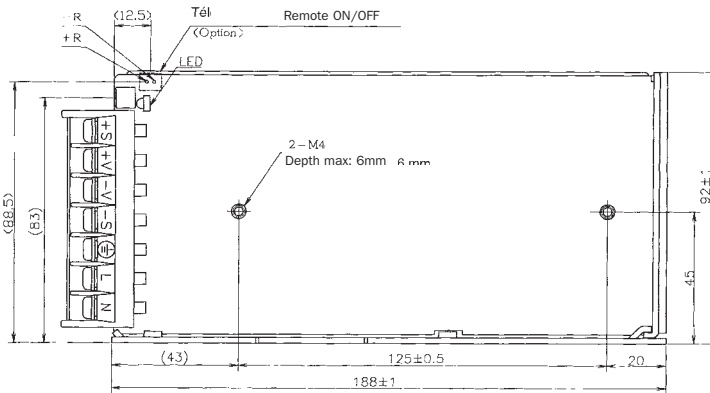
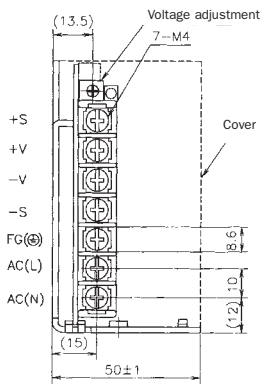


dimensions in mm

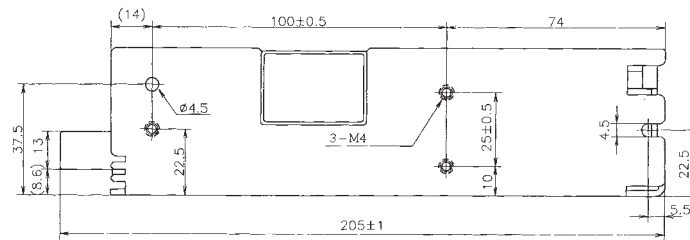
# PHYSICAL SPECIFICATION (continued)

## JWS 100 (barrier strip)

Weight 0.65 kg

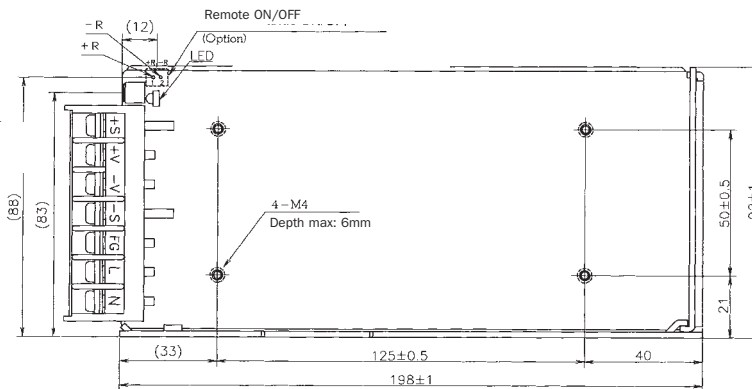
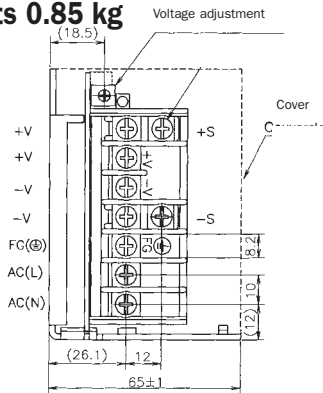


Remote ON/OFF - Connector JST	
Connector	B2B-XH-A
Housing	XHP-2
Terminal pin	BXH-001T-P0.6 or SXH-001T-P0.6

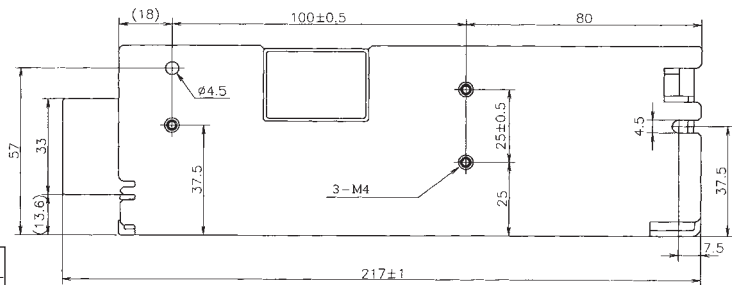


## JWS 150 (barrier strip)

Weights 0.85 kg



Remote ON/OFF - Connector JST	
Connector	B2B-XH-A
Housing	XHP-2
Terminal pin	BXH-001T-P0.6 or SXH-001T-P0.6



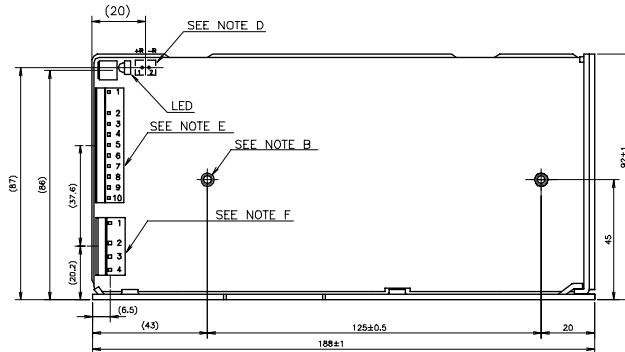
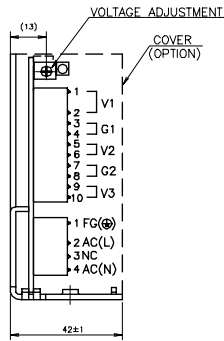
dimensions in mm



# PHYSICAL SPECIFICATION (continued)

## JWT 75 (molex connectors)

Weight 0.6 kg



**NOTES**

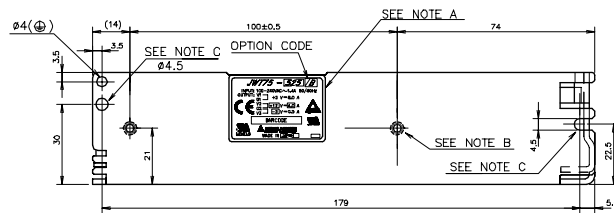
- A: MODEL NAME, OPTION, INPUT VOLTAGE RANGE, NOMINAL OUTPUT VOLTAGE, MAXIMUM OUTPUT CURRENT AND COUNTRY OF MANUFACTURE ARE SHOWN HERE IN ACCORDANCE WITH THE SPECIFICATIONS.
- B: M4 EMBOSSED, TAPPED AND COUNTERSUNK HOLES (4) FOR CUSTOMER CHASSIS MOUNTING. SCREWS MUST NOT PROTRUDE INTO POWER SUPPLY BY MORE THAN 6m/m.
- C: Ø4.5 HOLE FOR CUSTOMER CHASSIS MOUNTING. (USE M4 MOUNTING SCREW.)
- D: REMOTE ON/OFF CONTROL CONNECTOR --- OPTION B2B-XH-AM (JST)
- E: CONNECTOR: 5277-10A (MOLEX)
- F: CONNECTOR: 5289-4A (MOLEX)

**ACCESSORIES**

- HOUSING: 5196-10 (MOLEX), TERMINAL: 5194PBT(MOLEX)
- HOUSING: 5199-04 (MOLEX), TERMINAL: 5194PBT(MOLEX)
- HOUSING: XHP-2 (JST), TERMINAL: BXH-001T-P0.6 (JST) OR SXH-001T-P0.6 (JST) --- OPTION

**OPTIONAL MODELS**

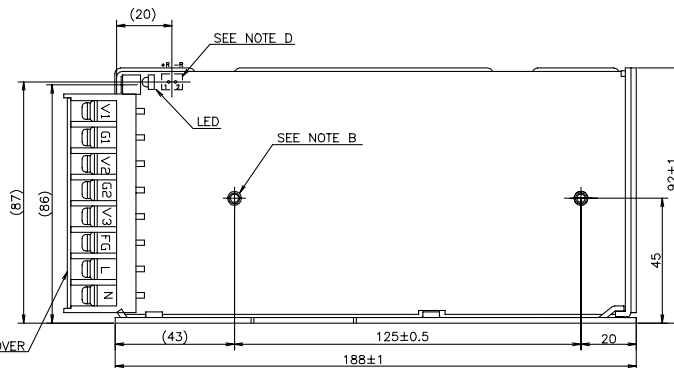
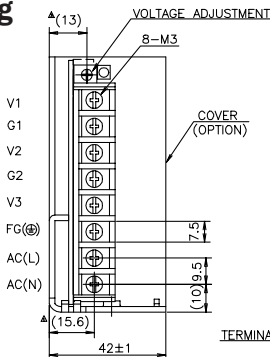
MODEL	COVER	REMOTE ON/OFF CONTROL	CONNECTOR INPUT/OUTPUT
JWT75-*/B		○	○
JWT75-*/C	○		○
JWT75-*/RB		○	○
JWT75-*/RC	○	○	○



(unit : mm)	
MODEL NAME	JWT75/B
<b>LAMBDA</b>	
A178-02-01/B	

## JWT 75 (barrier strip)

Weight 0.6 kg



**NOTES**

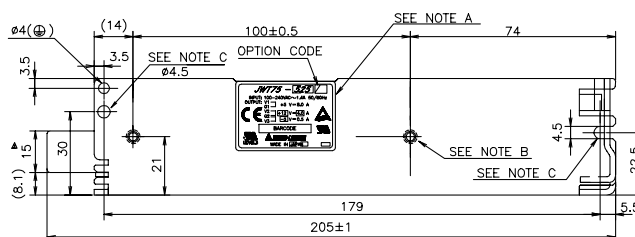
- A: MODEL NAME, OPTION, INPUT VOLTAGE RANGE, NOMINAL OUTPUT VOLTAGE, MAXIMUM OUTPUT CURRENT AND COUNTRY OF MANUFACTURE ARE SHOWN HERE IN ACCORDANCE WITH THE SPECIFICATIONS.
- B: M4 EMBOSSED, TAPPED AND COUNTERSUNK HOLES (4) FOR CUSTOMER CHASSIS MOUNTING. SCREWS MUST NOT PROTRUDE INTO POWER SUPPLY BY MORE THAN 6m/m.
- C: Ø4.5 HOLE FOR CUSTOMER CHASSIS MOUNTING. (USE M4 MOUNTING SCREW.)
- D: REMOTE ON/OFF CONTROL CONNECTOR --- OPTION B2B-XH-AM (JST)

**ACCESSORIES**

- COVER FOR BARRIER STRIP TERMINAL
- HOUSING: XHP-2 (JST), TERMINAL: BXH-001T-P0.6 (JST) OR SXH-001T-P0.6 (JST) --- OPTION

**OPTIONAL MODELS**

MODEL	COVER	REMOTE ON/OFF CONTROL
JWT75-*		
JWT75-*/A	○	
JWT75-*/R		○
JWT75-*/RA	○	○

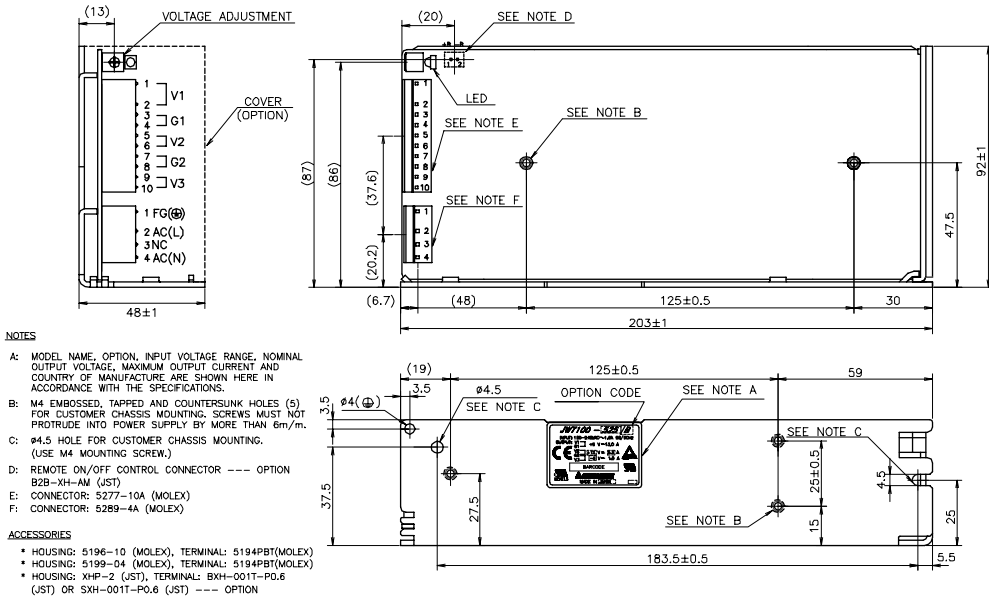


(unit : mm)	
MODEL NAME	JWT75
<b>LAMBDA</b>	
A178-02-01-A	

# PHYSICAL SPECIFICATION (continued)

## JWT 100 (molex connector)

Weight 0.72 kg



- NOTES**
- A: MODEL NAME, OPTION, INPUT VOLTAGE RANGE, NOMINAL OUTPUT VOLTAGE, MAXIMUM OUTPUT CURRENT AND COUNTRY OF MANUFACTURE ARE SHOWN HERE IN ACCORDANCE WITH THE SPECIFICATIONS.
  - B: M4 EMBOSSED, TAPPED AND COUNTERSUNK HOLES (5) FOR CUSTOMER CHASSIS MOUNTING. SCREWS MUST NOT PROTRUDE INTO POWER SUPPLY BY MORE THAN 6mm.
  - C: 4.5 HOLE FOR CUSTOMER CHASSIS MOUNTING. (USE M4 MOUNTING SCREW.)
  - D: REMOTE ON/OFF CONTROL CONNECTOR --- OPTION B2B-XH-AM (JST)
  - E: CONNECTOR: 5277-10A (MOLEX)
  - F: CONNECTOR: 5289-4A (MOLEX)
- ACCESSORIES**
- \* HOUSING: 5196-10 (MOLEX), TERMINAL: 5194PBT(MOLEX)
  - \* HOUSING: 5199-04 (MOLEX), TERMINAL: 5194PBT(MOLEX)
  - \* HOUSING: XHP-2 (JST), TERMINAL: BXH-001T-P0.6 (JST) OR SXH-001T-P0.6 (JST) --- OPTION

**OPTIONAL MODELS**

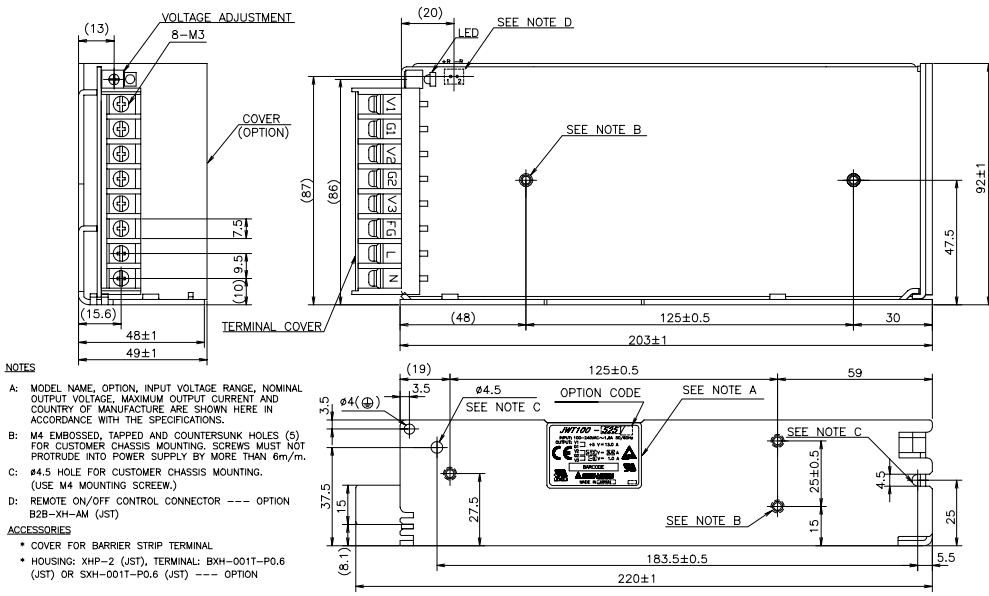
MODEL	COVER	REMOTE ON/OFF CONTROL	CONNECTOR INPUT/OUTPUT
JWT100-*/B	○		○
JWT100-*/C	○		○
JWT100-*/RB	○	○	○
JWT100-*/RC	○	○	○

(unit : mm)

MODEL NAME	JWT100/B
<b>LAMBDA</b>	
A179-02-01/B	

## JWT 100 (barrier strip)

Weight 0.72 kg



- NOTES**
- A: MODEL NAME, OPTION, INPUT VOLTAGE RANGE, NOMINAL OUTPUT VOLTAGE, MAXIMUM OUTPUT CURRENT AND COUNTRY OF MANUFACTURE ARE SHOWN HERE IN ACCORDANCE WITH THE SPECIFICATIONS.
  - B: M4 EMBOSSED, TAPPED AND COUNTERSUNK HOLES (5) FOR CUSTOMER CHASSIS MOUNTING. SCREWS MUST NOT PROTRUDE INTO POWER SUPPLY BY MORE THAN 6mm.
  - C: 4.5 HOLE FOR CUSTOMER CHASSIS MOUNTING. (USE M4 MOUNTING SCREW.)
  - D: REMOTE ON/OFF CONTROL CONNECTOR --- OPTION B2B-XH-AM (JST)
- ACCESSORIES**
- \* COVER FOR BARRIER STRIP TERMINAL
  - \* HOUSING: XHP-2 (JST), TERMINAL: BXH-001T-P0.6 (JST) OR SXH-001T-P0.6 (JST) --- OPTION

**OPTIONAL MODELS**

MODEL	COVER	REMOTE ON/OFF CONTROL
JWT100-*/A	○	
JWT100-*/R	○	○
JWT100-*/RA	○	○

(unit : mm)

MODEL NAME	JWT100
<b>LAMBDA</b>	
A179-02-01-B	