



## PCB terminal block; 16 mm<sup>2</sup>; Pin spacing 10 mm; 4-pole; Push-in CAGE CLAMP®

Item No.: 2636-1104/020-000



PCB terminal block; 16 mm<sup>2</sup>; Pin spacing 10 mm; 4-pole; Push-in CAGE CLAMP®

### Marking

RoHS ✓  
Compliant

### Business data

|                      |                   |
|----------------------|-------------------|
| Supplier             | WAGO              |
| Item no.             | 2636-1104/020-000 |
| GTIN / EAN           | 4055143625326     |
| Content              | 1                 |
| Order amount         | 25                |
| Customer item number |                   |

### Notes

*Item description: PCB terminal blocks with Push-in CAGE CLAMP® connection Push-in termination of solid and ferruled conductors Ideal for panel feedthrough applications via operation parallel to conductor entry Testing can be performed both parallel and perpendicular to conductor entry*

### Technical data

#### Miscellaneous

|  |                    |
|--|--------------------|
| Available upon request (depending on quantity required): | Other pole numbers |
| Packaging type   | BOX                |
| Ratings per  | IEC/EN 60664-1     |

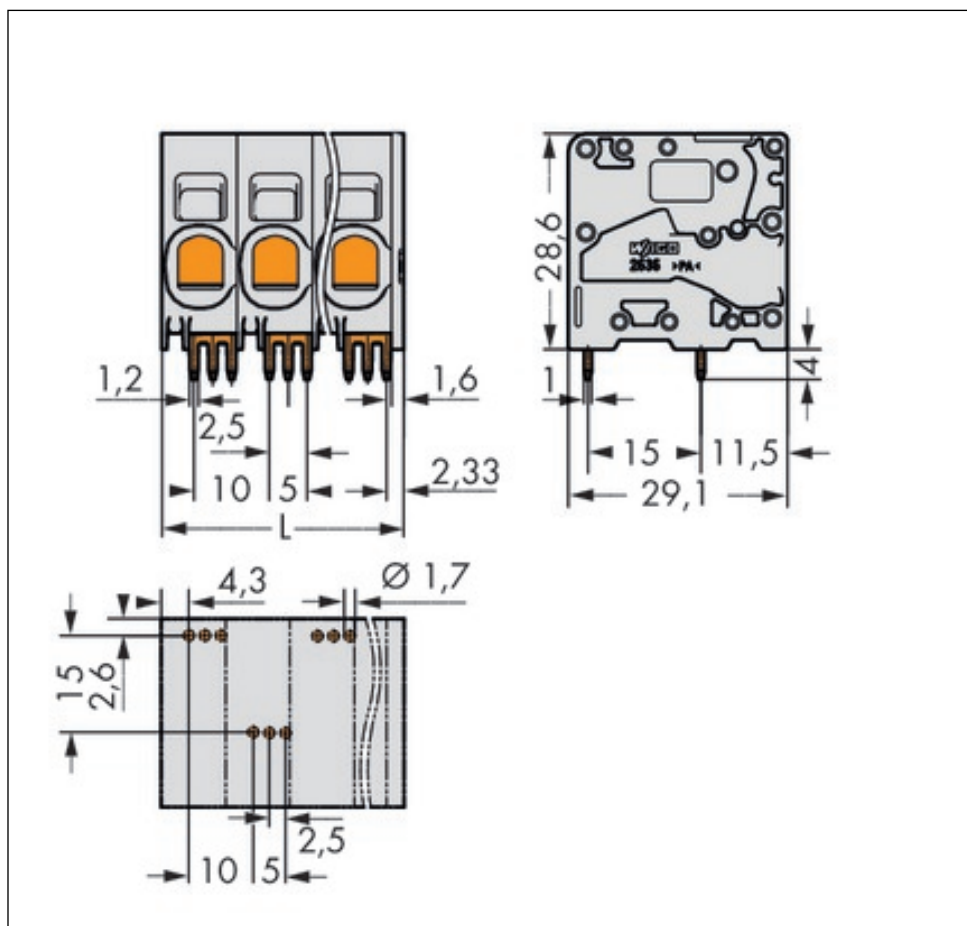
| <b>Technical data</b>                                       |   |
|---|---|
| Rated voltage (III / 3) [V]                                 | 1000 [V]  |
| Rated impulse voltage (III / 3) [kV]                        | 8 [kV]  |
| Rated voltage (III/2) [V]                                   | 1000 [V]  |
| Rated impulse voltage (III / 2) [kV]                        | 8 [kV]  |
| Rated voltage (II / 2) [V]                                  | 1000 [V]  |
| Rated impulse voltage (II / 2) [kV]                         | 8 [kV]  |
| Rated current [A]   | 76 [A]  |
| Legend (ratings)  | (III / 2) Overvoltage category III / Pollution degree 2 |
| No. of poles  | 4   |
| Total number of connection points                           | 4   |
| Total number of potentials                                  | 4   |
| Number of connection types                                  | 1   |
| Number of levels  | 1   |
| Connection technology                                       | Push-in CAGE CLAMP®                                     |
| Actuation type  | Operating tool  |
| Solid conductor   | 0.75 ... 16 mm <sup>2</sup> / 18 ... 4 AWG              |
| Fine-stranded conductor                                     | 0.75 ... 25 mm <sup>2</sup> / 18 ... 4 AWG              |
| Fine-stranded conductor with ferrule with plastic collar    | 0.75 ... 16 mm <sup>2</sup>                             |
| Fine-stranded conductor with ferrule without plastic collar | 0.75 ... 16 mm <sup>2</sup> / ...                       |
| Strip length  | 18 ... 20 mm / 0.71 ... 0.79 Inch                       |
| Pin spacing   | 10 mm (0.394 in)  |
| Width   | 41.6 mm / 1.638 Inch                                    |
| Height  | 32.6 mm / 1.283 Inch                                    |
| Height from the surface                                     | 28.6 mm / 1.126 Inch                                    |
| Depth   | 24.8 mm / 0.976 Inch                                    |
| Solder pin length [mm]                                      | 4 [mm]  |
| Solder pin dimensions                                       | 1.2 x 1 mm  |
| Drilled hole diameter (tolerance) [mm]                      | 1.7(+ 0.1) [mm]   |
| Type of mounting  | Feed-through mounting                                   |
| PCB contact   | THT   |
| Solder pin arrangement                                      | 3 staggered solder pins/pole                            |
| Number of solder pins per potential                         | 3   |
| Color   | gray  |
| Material group  | I   |

| <b>Technical data</b>              |  |
|------------------------------------|--|
| <i>Insulating material</i>         | <i>Polyamide 66 (PA 66)</i>              |
| <i>Flammability class per UL94</i> | <i>V0</i>                                |
| <i>Clamping spring material</i>    | <i>Chrome nickel spring steel (CrNi)</i> |
| <i>Contact material</i>            | <i>Electrolytic copper (Ecu)</i>         |
| <i>Contact plating</i>             | <i>tin-plated</i>                        |
| <i>Fire load [MJ]</i>              | <i>0.443 [MJ]</i>                        |
| <i>Weight [g]</i>                  | <i>33.746 [g]</i>                        |
| <i>Limit temperature range</i>     | <i>-60 ... 105 °C</i>                    |
| <i>Pin spacing from [mm]</i>       | <i>10 [mm]</i>                           |
| <i>Main product function</i>       | <i>PCB terminal block</i>                |
| <i>Product type</i>                | <i>PCB terminal blocks</i>               |

Images & drawings







## Address

WAGO Kontakttechnik GmbH & Co. KG

Hansastr. 27

32423 Minden

Telefon: 0571/887-0

Fax: 0571/887-169

<http://www.wago.com>

© WAGO Kontakttechnik GmbH & Co. KG

Technische Änderungen und Irrtümer vorbehalten.