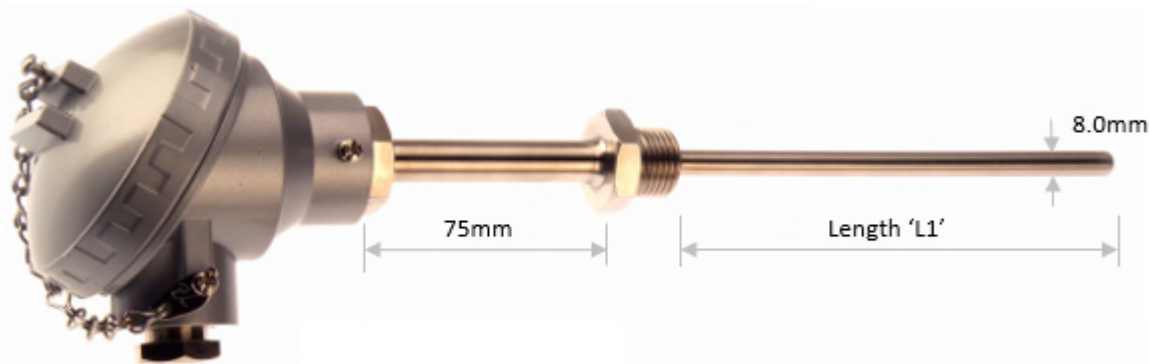




Platinum Resistance Pt100 Industrial Probe with Lagging Extension



- Heavy duty Pt100 probe with lagging extension
- IP67 aluminium alloy weatherproof connection head
- Class B, 4 wire connection
- Available in lengths ('L1') of 150, 250 & 500mm
- 1/2" BSP parallel process connection
- 75mm lagging length
- Sensor temperature rating -100°C to +450°C
- Conforms to IEC 751

Sensor type: Pt100 (100 Ohms @ 0°C) to IEC 751
 Tolerance class: Class B
 Connection: 4 wire single element
 Construction: All welded stainless steel pocket assembly with removable probe insert
 8.0mmØ 316 stainless steel below 1/2" BSP parallel process connection 1/2" diameter x 75mm lagging length to underside of connection head
 Termination: IP67 aluminium alloy weatherproof connection head
 Insert: 6.0mm diameter 316 stainless steel terminated with spring loaded ceramic connection block
 Process connection: 1/2" BSP parallel
 Cable connection: M20 x 1.5mm cable entry (gland included)
 Probe temperature range: -100°C to +450°C (connection head @ 170°C)

Contact Details

Email
sales@labfacility.com

Website
www.labfacility.com

DiaØ	Length 'L1'	Insert DiaØ	Length 'L2'	Order code
8.0mm	150mm	6.0mm	275mm	XF-1113-FAR
8.0mm	250mm	6.0mm	375mm	XF-1114-FAR
8.0mm	500mm	6.0mm	625mm	XF-1115-FAR

About Labfacility

Formed in 1971, Labfacility specialize in the field of Temperature and Process Measurement.

We are the largest UK manufacturer of both temperature sensors and thermocouple connectors.

Quality & Service

Quality and Service are key elements in the continued growth of Labfacility.

Technical support is always freely available from our experienced technical sales teams and the company has ISO9001 accreditation.