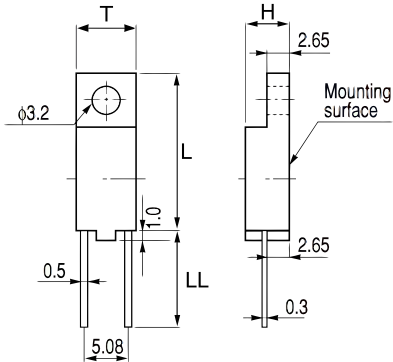


KEMET, OHD



General Information	
<b>Series:</b>	OHD
<b>Type:</b>	Thermal Sensors
<b>Style:</b>	Radial
<b>Description:</b>	Thermal Guard
<b>Features:</b>	Overheating Monitoring, Simple Circuit Design, Reliabile ON-OFF Operation, Compact, High Speed Response
<b>Lead:</b>	Wire Leads
<b>RoHS:</b>	Yes

Dimensions	
<b>L</b>	18.1mm
<b>H</b>	5mm
<b>T</b>	6.7mm
<b>LL</b>	10mm

Specifications	
<b>Rated Temperature:</b>	105C
<b>Rated Temperature Tolerance:</b>	+/-5C
<b>Temperature Range:</b>	+30/+130C
<b>Voltage DC:</b>	30 VDC MAX (Opening/Closing), 1500 VAC/1min Or 1800 VAC/1sec (Insulation Withstand Voltage, Between Terminals And Mounting Resin Surface)
<b>Current:</b>	0.1 Amps DC MAX (Opening/Closing), 0.1 mAmps MIN (1VDC, Opening/Closing)
<b>Resistance:</b>	300 mOhms MAX (Contact Resistance)
<b>Miscellaneous:</b>	Differential Temperature = 10C MAX. Contact Shape B = Break. Power = 1W DC MAX (Opening/Closing)

Packaging Specifications	
<b>Packaging:</b>	Bulk, Tray
<b>Packaging Quantity:</b>	700