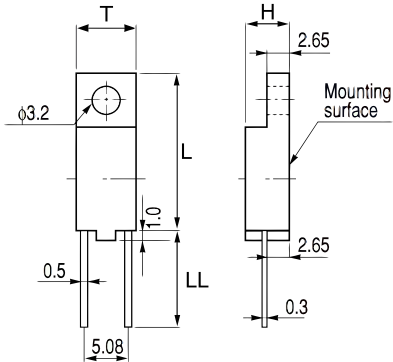


KEMET, OHD



General Information	
Series:	OHD
Type:	Thermal Sensors
Style:	Radial
Description:	Thermal Guard
Features:	Overheating Monitoring, Simple Circuit Design, Reliabile ON-OFF Operation, Compact, High Speed Response
Lead:	Wire Leads
RoHS:	Yes

Dimensions	
L	18.1mm
H	5mm
T	6.7mm
LL	10mm

Packaging Specifications	
Packaging:	Bulk, Tray
Packaging Quantity:	700

Specifications	
Rated Temperature:	90C
Rated Temperature Tolerance:	+/-5C
Temperature Range:	+30/+130C
Voltage DC:	30 VDC MAX (Opening/Closing), 1500 VAC/1min Or 1800 VAC/1sec (Insulation Withstand Voltage, Between Terminals And Mounting Resin Surface)
Current:	0.1 Amps DC MAX (Opening/Closing), 0.1 mAmps MIN (1VDC, Opening/Closing)
Resistance:	300 mOhms MAX (Contact Resistance)
Miscellaneous:	Differential Temperature = 10C MAX. Contact Shape B = Break. Power = 1W DC MAX (Opening/Closing)

Statements of suitability for certain applications are based on our knowledge of typical operating conditions for such applications, but are not intended to constitute - and we specifically disclaim - any warranty concerning suitability for a specific customer application or use. This Information is intended for use only by customers who have the requisite experience and capability to determine the correct products for their application. Any technical advice inferred from this Information or otherwise provided by us with reference to the use of our products is given gratis, and we assume no obligation or liability for the advice given or results obtained.