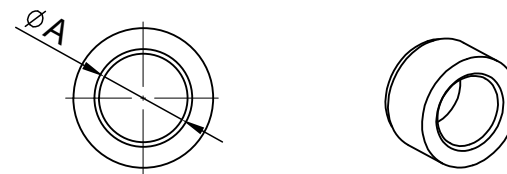
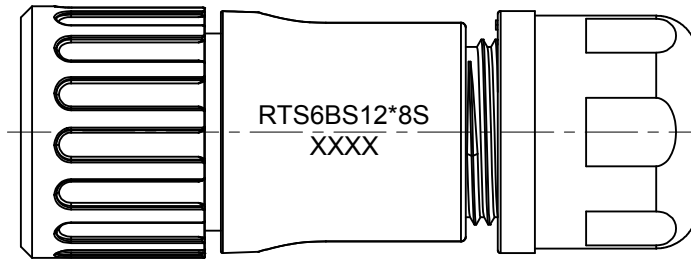
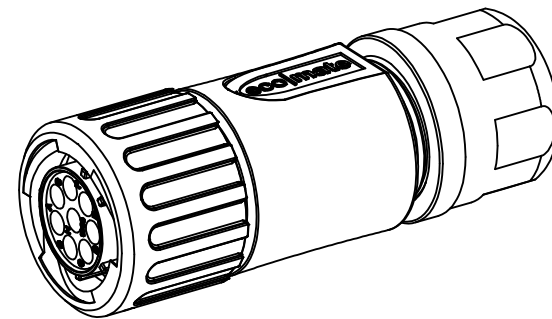
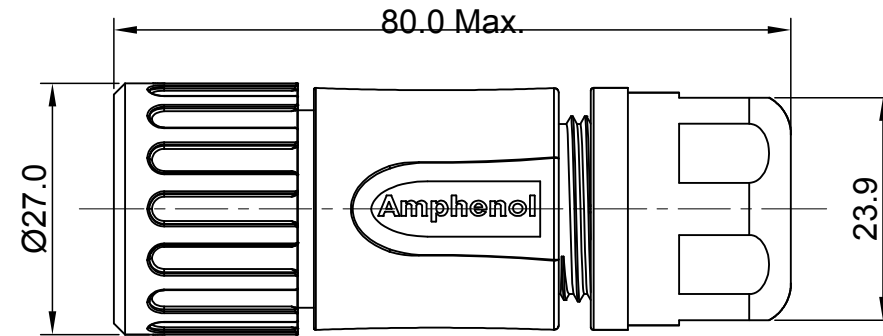
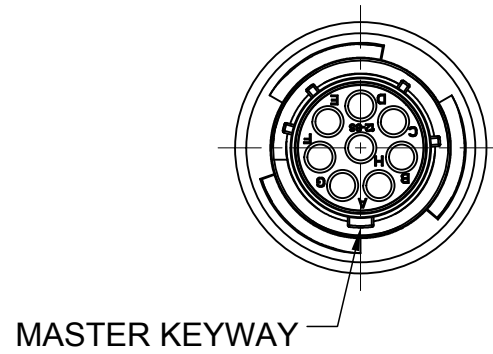


REVISIONS					
REV	ECO	DESCRIPTION	DATE	BY	APPR
A1	--	FIRST RELEASED	Aug-10-2016	Ben	Tommy
A2	--	UPDATE NOTES	Jun-21-2017	Nick	Tommy



NOTES : (UNLESS OTHERWISE SPECIFIED)

- MATERIAL :
 SHELL : THERMOPLASTIC , UL94 V-0.
 INSERT : THERMOPLASTIC , UL94 V-0.
 COUPLING NUT : THERMOPLASTIC , UL94 V-0.
 O-RING : NBR OR SILICONE RUBBER.
 WASHER : SILICONE RUBBER.
 BACK SHELL : THERMOPLASTIC , UL94 V-0.
 CLAMP NUT : THERMOPLASTIC , UL94 V-0.
 CLAMP RING : THERMOPLASTIC , UL94 V-0.
 CABLE SEAL : EPDM.
- SPECIFICATIONS :
 2.1, RATED CURRENT : 13A (MAX).
 2.2, RATED VOLTAGE : 500V(AC/DC).
 2.3, OPERATING TEMPERATURE : SEE TABLE.
 2.4, DIELECTRIC WITHSTANDING VOLTAGE : LESS THAN 2 MILLIAMPS CURRENT LEAKAGE@2000 VOLTS AC. 2.5, INSULATION RESISTANCE : 5000 MEGOHMS MIN. 2.6, IP-CLASS : IP67 AND IP69K.
 2.7, MATING CYCLES DURABILITY : 500 CYCLES MIN. 2.8, RoHS COMPLIANT.
- SUITABLE CONTACTS : 16# CONTACT.
- ALL DIMENSIONS ARE FOR REFERENCE USE ONLY.

DIMENSION ϕA	CABLE OD RANGE
9.5 MM	6.0~9.0MM
12.2 MM	8.5~12.0MM

KEY	PART NUMBER	
		-40°C ~ +105°C
N	RTS6BS12N8S	RTS6BS12N8S03

QUANTITY	PART NUMBER	DESCRIPTION	ITEM
MATERIALS LIST			
UNLESS OTHERWISE SPECIFIED		Amphenol	
1) All dimensions are in metric (mm).		Sine Systems - www.amphenol-sine.com	
2) 1 PL DEC ±0.15 as follows		44724 Morley Drive	
3) Note reference = Δ		Clinton Township, MI 48036	
MATERIAL SPECIFICATIONS:		CUSTOMER:	
PROCESS SPECIFICATIONS:		THIS DRAWING IS SUPPLIED FOR INFORMATION ONLY. DESIGN FEATURES, SPECIFICATIONS AND PERFORMANCE DATA SHOWN HEREON ARE THE PROPERTY OF THE AMPHENOL CORPORATION. NO RIGHTS OF REPRODUCTION ARE IMPLIED. ALL DIMENSIONS ARE SUBJECT TO NORMAL MANUFACTURING VARIATIONS.	
NEXT ASSY:		SCALE: NONE	
		DWG NO: RTS6BS12*8Sxx	
		REVISION: A2	
		SHEET 1 OF 1	

TITLE: ECO-MATE,PLUG,STRAIGHTER,8POS, SOCKET CONTACT,SIZE 12
 DWG NO: RTS6BS12*8Sxx
 REV: A2
 SH: 1
 OF: 1