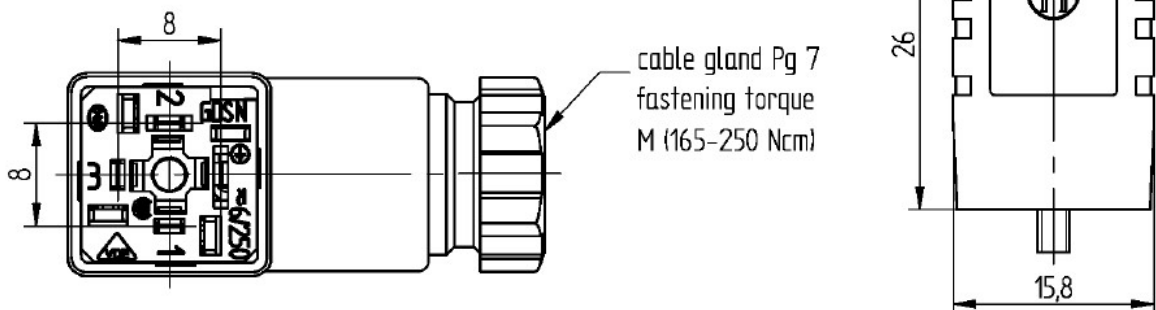
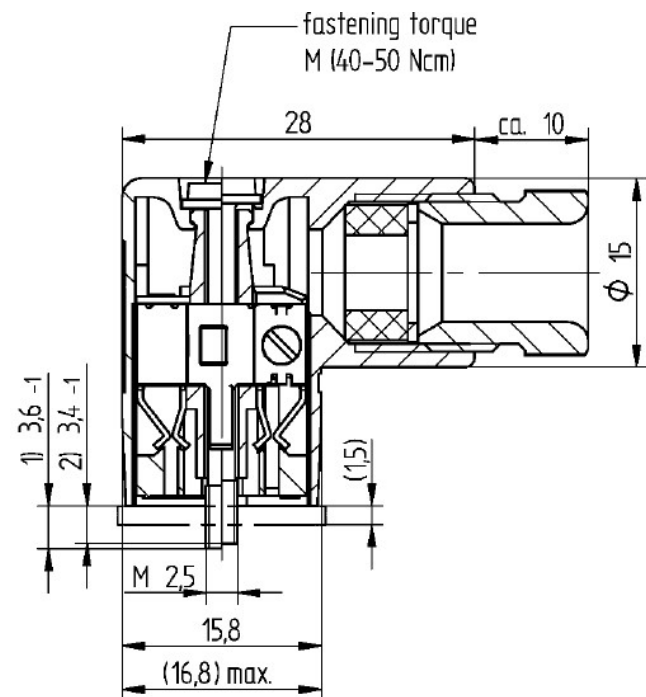


Materials	
Housing, gland screw	PA / Black
Contact Bearer, Gland Screw, Cage	PA / Black
Contact / Contact Plating	CuZn / Cu/Sn
Center Screw / Screw Size	Fe/Zn B / M 2.5 x 27
Gasket (temperature range)	NBR (-25° to +90° C)

Technical Data	
Standard	DIN EN 175301.803-C
No. of Contacts / Terminal Type	3 + PE / Screw
Rated Current	6 A
Rated Voltage (AC/DC)	250 V
Protective Circuit	None
Conductor Size Range	0.50 mm ² (24 AWG) to... 0.75 mm ² (18 AWG)
Type of Connection	Screw Terminal
Approvals	VDE
Gland Outer Thread / Clamp Range	PG 7 / ϕ 4.5 mm to ϕ 6 mm
Packaging Type / Qty per Carton	Carton / 10 pieces bagged

Environmental Conditions	
Temperature Range	-25° to +90° C
Protection Class	IP65, (IP67 with gasket)

Connector Face View	Circuitry Layout



Rev	A	RBS - 12/8/17	Notes
Order Code	20847		Description GDSN 307-1KK