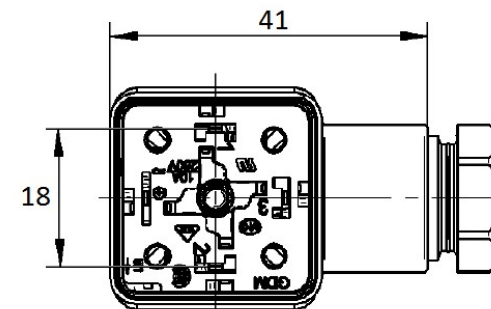
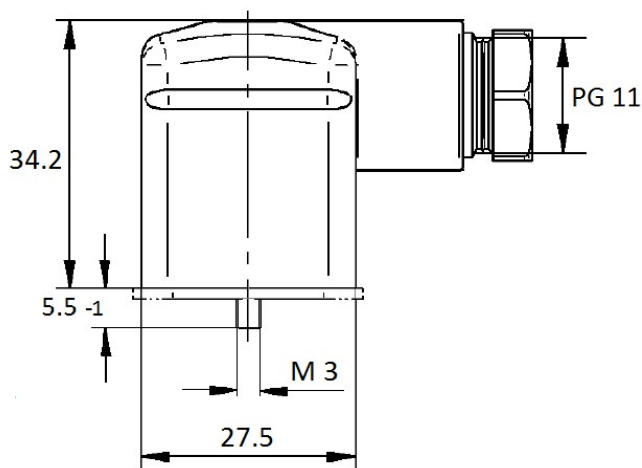
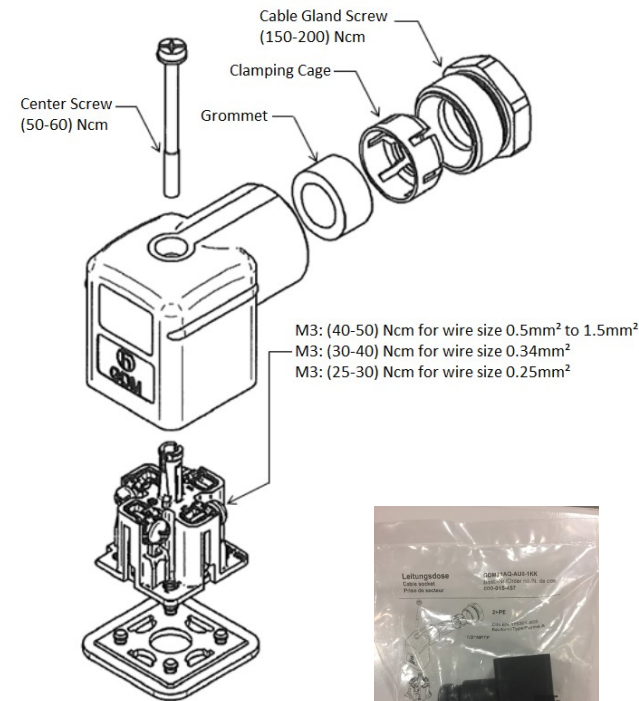
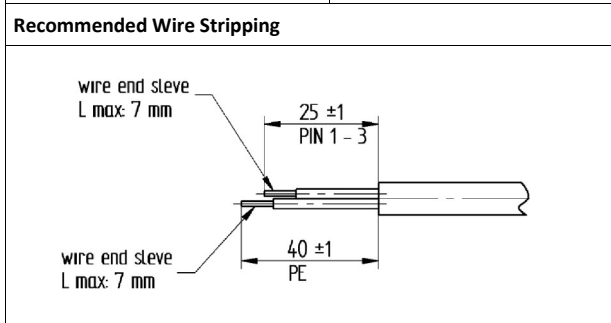


Materials	
Housing, gland screw	PA 66 GF / Black
Contact Bearer, Gland Screw, Cage	PA 6 GF / Black
Contact / Contact Plating	CuZn / Cu/Sn
Center Screw / Screw Size	Fe/Zn B / M 3x35
Gasket (temperature range)	NBR ( -25° to +90° C )

Technical Data	
Standard	DIN EN 175301.803-A
No. of Contacts / Terminal Type	2 + PE / Screw
Rated Current	10 A, UL, VDE / 8 A, CSA
Rated Voltage (AC/DC)	300 V, UL, CSA / 250 V VDE
Protective Circuit	None
Conductor Size Range	0.25 mm <sup>2</sup> (20 AWG) to... 1.5 mm <sup>2</sup> (14 AWG)
Type of Connection	Screw Terminal
Approvals	UL 2238, CSA 22.2, VDE E349
Gland Outer Thread / Clamp Range	PG 11/ $\phi$ 8.0 mm to $\phi$ 10.0 mm
Packaging Type / Qty per Carton	Carton / 10 pieces bagged

Environmental Conditions	
Temperature Range	-25° to +90° C
Protection Class	IP65, (IP67 with gasket)

Connector Face View	Circuitry Layout



Rev	A	RBS - 11/21/17	Notes
Order Code	15456	Description	GDM21AN-A0U-1KK