



Main

| | |
|-------------------------------|--|
| Range of product | OsiSense XU |
| Series name | Application packaging |
| Electronic sensor type | Photo-electric sensor |
| Product specific application | Luminescence |
| Sensor name | XU5 |
| Sensor design | M18 |
| Detection system | Diffuse |
| [Sn] nominal sensing distance | 20 mm spot Ø 3 x 1 mm for colour mark reading 0...80 mm in diffuse mode |
| Material | Metal |
| Type of output signal | Discrete |
| Supply circuit type | DC |
| Wiring technique | 3-wire |
| Discrete output type | PNP |
| Discrete output function | 1 NO |
| Electrical connection | 1 male connector M12, 4 pins |
| Emission | Ultra-violet (transmission frequency = 370 nm) |

Complementary

| | |
|----------------------------|---|
| Enclosure material | Nickel plated brass |
| Lens material | PMMA |
| Output type | Solid state |
| Output function governance | Light |
| Add on output | Without |
| Status LED | 1 LED (green) for output state |
| [Us] rated supply voltage | 12...24 V DC with reverse polarity protection |
| Supply voltage limits | 10...30 V DC |
| Switching capacity in mA | <= 100 mA (reverse polarity, overload and short-circuit protection) |
| Switching frequency | <= 1000 Hz |
| Voltage drop | <= 1.5 V (closed state), PNP |
| Current consumption | <= 20 mA (no-load) |

Disclaimer: This documentation is not intended as a substitute for and is not to be used for determining suitability or reliability of these products for specific user applications

| | |
|------------------|---|
| Time delay range | 20 ms off-delay activation/deactivation by cabling method delay |
| Delay first up | <= 100 ms |
| Delay response | <= 0.5 ms |
| Delay recovery | <= 0.5 ms |
| Setting-up | Sensitivity adjustment with potentiometer |
| Diameter | 18 mm |
| Length | 95 mm |
| Product weight | 0.075 kg |

Environment

| | |
|---------------------------------------|---|
| Product certifications | CSA CE UL |
| Ambient air temperature for operation | -25...55 °C |
| Ambient air temperature for storage | -40...70 °C |
| Vibration resistance | 7 gn, amplitude = +/- 0.6 mm (f = 10...55 Hz) conforming to IEC 60068-2-6 |
| Shock resistance | 30 gn (duration = 11 ms) conforming to IEC 60068-2-27 |
| IP degree of protection | IP67 conforming to IEC 60529 |

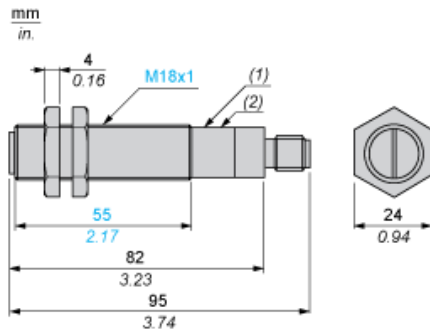
Offer Sustainability

| | |
|--------------------------|---|
| Sustainable offer status | Not Green Premium product |
| RoHS (date code: YYWW) | Compliant - since 1149 - Schneider Electric declaration of conformity Schneider Electric declaration of conformity |
| REACH | Reference not containing SVHC above the threshold Reference not containing SVHC above the threshold |

Contractual warranty

| | |
|-----------------|-----------|
| Warranty period | 18 months |
|-----------------|-----------|

Dimensions



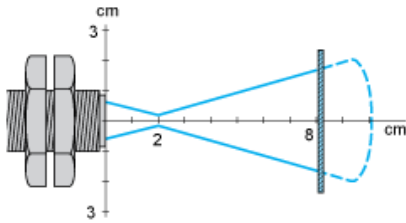
- (1) Potentiometer
- (2) Green LED

Mounting and Clearance

Fixing nut tightening torque: < 15 N.m

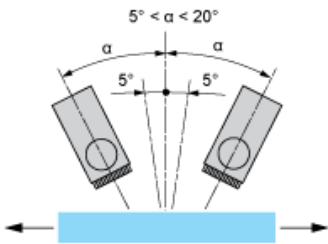
Curves

Detection Curves



Object 5 x 5 cm, white 90 %
Object 5 x 5 cm, white 90 %

Vertical Inclination



An angle of 5 to 10° from vertical is recommended for reflective or transparent surfaces Maximum vertical inclination: 20°