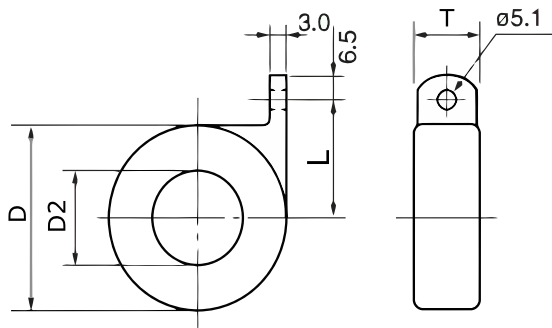


**KEMET Part Number: ESD-R-38D-B**  
(UECESDR38DB000)

KEMET, ESD-R-B, EMI Cores, Commercial Grade



Dimensions	
D	42.4mm MAX
D2	17.9mm MAX
L	28mm MAX
T	16mm MAX

General Information	
Brand:	TOKIN
Series:	ESD-R-B
Style:	Snail
Cable Type:	Round Cable
Description:	EMI Core Solid, For Round Cables, Toroidal Cores
Features:	Snail Shaped Case
RoHS:	Yes
Case Color:	Black
Materials:	Mn-Zn & Ni-Zn

Specifications	
Effective Frequency:	300 MHz (FM Band Range)