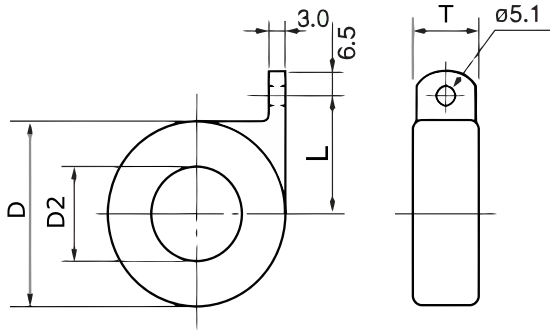


KEMET Part Number: ESD-R-47B
(UECESDR47B0000)

KEMET, ESD-R-B, EMI Cores, Commercial Grade



| Dimensions | |
|------------|------------|
| D | 51.5mm MAX |
| D2 | 25.5mm MAX |
| L | 34mm MAX |
| T | 17.5mm MAX |

| General Information | |
|---------------------|--|
| Brand: | TOKIN |
| Series: | ESD-R-B |
| Style: | Snail |
| Cable Type: | Round Cable |
| Description: | EMI Core Solid, For Round Cables, Toroidal Cores |
| Features: | Snail Shaped Case |
| RoHS: | Yes |
| Case Color: | White |
| Materials: | Mn-Zn & Ni-Zn |

| Specifications | |
|----------------------|-------------------------|
| Effective Frequency: | 100 MHz (AM Band Range) |