



Angled DIN-rail adapter; in combination with mounting carrier; 221-500 or 222-500; for DIN-35 rail mounting

Item No.: 222-510



Angled DIN-rail adapter; in combination with mounting carrier; 221-500 or 222-500; for DIN-35 rail mounting

Marking

RoHS ✓
Compliant

Business data

Supplier	WAGO
Item no.	222-510
GTIN / EAN	4045454714802
Content	1
Order amount	10
Customer item number	

Notes

Technical data

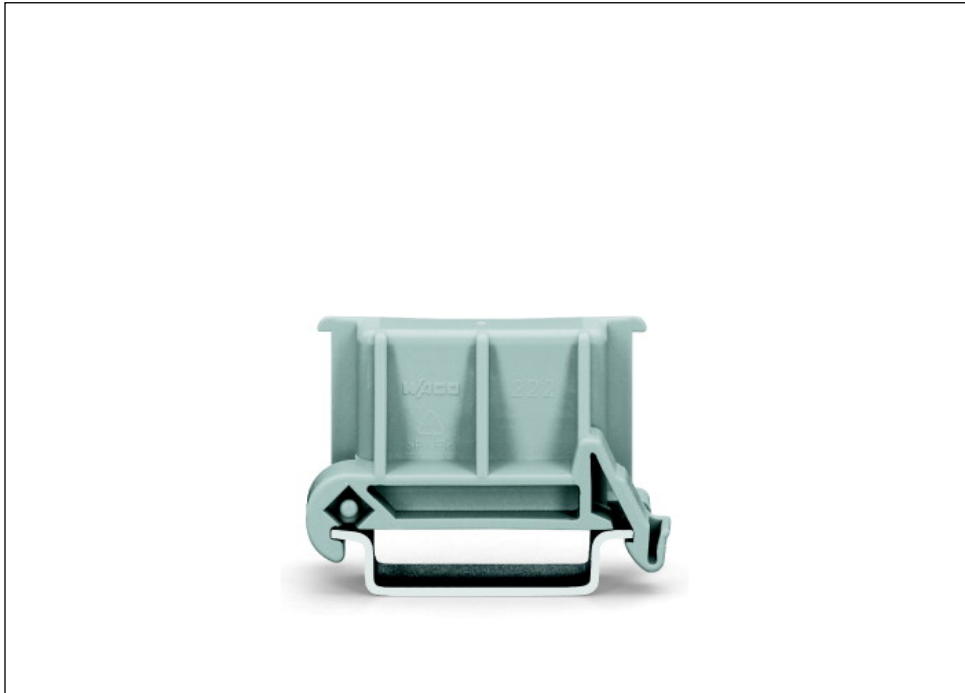
Miscellaneous

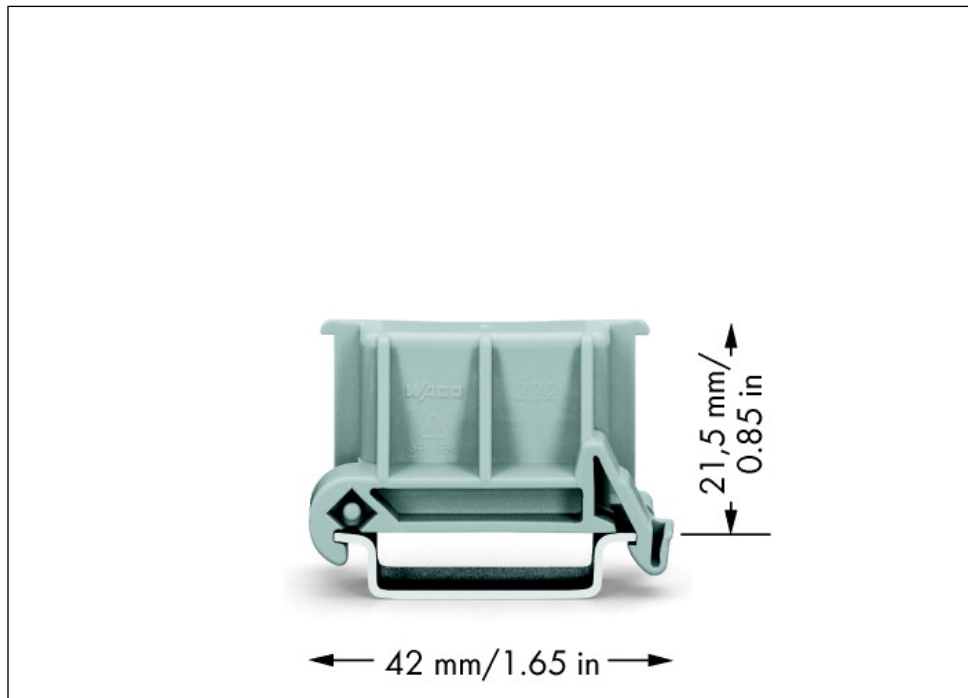
Packaging type	BOX
Width	18.5 mm / 0.728 Inch
Height from upper-edge of DIN-35 rail	21.5 mm / 0.846 Inch
Depth	42 mm / 1.654 Inch
Color	gray
Fire load [MJ]	0.118 [MJ]

Printview: Angled DIN-rail adapter; in combination with mounting carrier; 221-500 or 222-500; for DIN-35 rail mounting - Item No.: 222-510

Technical data	
<i>Weight [g]</i>	<i>3.92 [g]</i>
<i>Main product function</i>	<i>Mounting Accessories</i>
<i>Product type</i>	<i>Accessories</i>

Images & drawings





Address

WAGO Kontakttechnik GmbH & Co. KG

Hansastr. 27

32423 Minden

Telefon: 0571/887-0

Fax: 0571/887-169

<http://www.wago.com>

© WAGO Kontakttechnik GmbH & Co. KG

Technische Änderungen und Irrtümer vorbehalten.