

**PLEASE CHECK WWW.MOLEX.COM FOR LATEST PART INFORMATION**

**Part Number:** [2004490001](#)  
**Status:** **Active**  
**Overview:** EdgeLock Wire-to-Edge-Card Signal System  
**Description:** 2.00mm Pitch EdgeLock Crimp Terminal, Phosphor Bronze, Tin (Sn) Plating,Reel

**Documents:**

[Drawing \(PDF\)](#) [Packaging Specification 2004490001PK-000 \(PDF\)](#)  
[Product Specification 2008900001PS-000 \(PDF\)](#) [RoHS Certificate of Compliance \(PDF\)](#)

**General**

Product Family	Crimp Terminals
Series	<a href="#">200449</a>
Application	Signal
Crimp Quality Equipment	Yes
Overview	<a href="#">EdgeLock Wire-to-Edge-Card Signal System</a>
Product Name	EdgeLock
UPC	889056469395

**Physical**

Durability (mating cycles max)	30
Gender	N/A
Material - Metal	Phosphor Bronze
Material - Plating Mating	Tin
Material - Plating Termination	Tin
Net Weight	47.042/g
Packaging Type	Reel
Plating min - Mating	1.000µm
Plating min - Termination	1.000µm
Termination Interface: Style	Crimp or Compression
Wire Insulation Diameter	1.10-1.40mm
Wire Size AWG	22, 24
Wire Size mm <sup>2</sup>	N/A

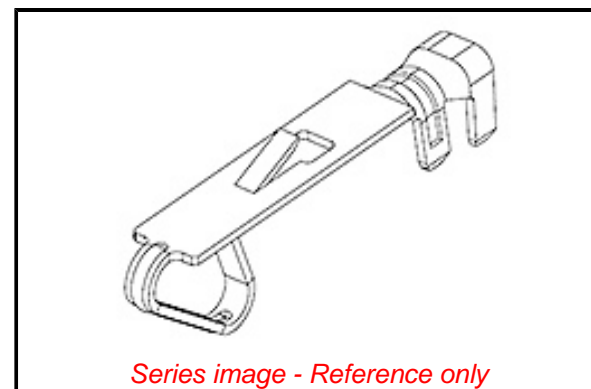
**Electrical**

Current - Maximum per Contact	3.0A
Voltage - Maximum	125V

**Material Info**

**Reference - Drawing Numbers**

Crimp Specification	2004490001CS-000
Packaging Specification	2004490001PK-000
Product Specification	2008900001PS-000
Sales Drawing	2004490001-000



*Series image - Reference only*

**EU ELV**

**Not Relevant**

**EU RoHS**

**Compliant**

**REACH SVHC**

Not Contained Per -  
ED/30/2017 (7 July  
2017)

**Halogen-Free**

**Status**

**Low-Halogen**

**Need more information on product environmental compliance?**

Email [productcompliance@molex.com](mailto:productcompliance@molex.com)  
Please visit the [Contact Us](#) section for any non-product compliance questions.

China ROHS	Green Image
ELV	Not Relevant
RoHS Phthalates	Not Contained

**Search Parts in this Series**

[200449 Series](#)

**Use With**

EdgeLock Edge Card Connector [200890](#)