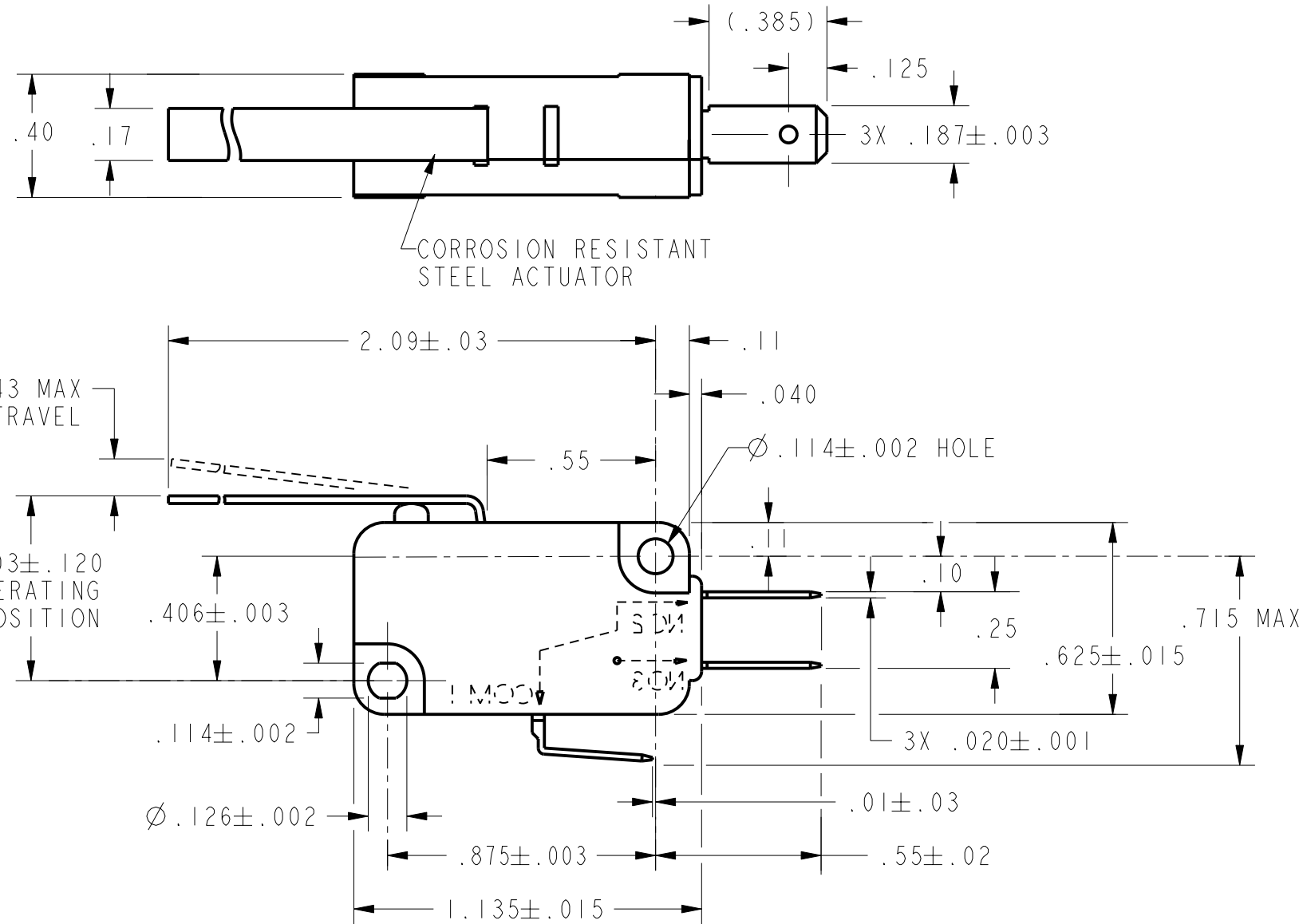


REV	DOCUMENT	CHANGED BY	CHECK
I	204752	TRF 23JAN02	SAV



CHARACTERISTICS	
OPERATING FORCE-----	46 GRAMS MAX
RELEASE FORCE-----	6 GRAMS MIN
DIFFERENTIAL TRAVEL-----	.123 MAX
OVERTRAVEL-----	.163 MIN
RELEASE TRAVEL-----	.044 MIN

ELECTRICAL DATA	
CONTACT ARRANGEMENT S P D T	
LI56	
11A 1/3HP 125, 250 OR 277 VAC	
1/2A 125 VDC, 1/4A 250 VDC	
4A 125 VAC "L"	

UNLESS OTHERWISE SPECIFIED TOLERANCES ARE:			
	<input checked="" type="checkbox"/> US (inch) CUSTOMARY	<input type="checkbox"/> SI (mm) METRIC	
NO PLACE	X	±.040	±1
ONE PLACE	.X	±.030	±0,4
TWO PLACE	.XX	±.015	±0,15
THREE PLACE	.XXX	±.005	±
ANGLES		± 3°	±
RAW MATERIAL-COMMERCIAL STANDARD			
THIRD ANGLE PROJECTION			

DRAWN	TRF	23JAN02
CHECK	SAV	23JAN02
THIS DRAWING COVERS A PROPRIETARY ITEM AND IS THE PROPERTY OF HONEYWELL SENSING AND CONTROL. THIS DRAWING IS NOT TO BE COPIED OR USED WITHOUT THE PERMISSION OF HONEYWELL.		
DIMENSIONS ARE TO BE MET BEFORE PROTECTIVE COATINGS ARE APPLIED		
PTC 2D	ASME Y14.5M-1994	

Honeywell Sensing and Control			
TITLE SWITCH, BASIC			
SIZE	DWG TYPE	DRAWING NAME	REV
B	I	V7-7B17D8-140	1
SCALE	2:1	WEIGHT	SHEET 1 OF 1

