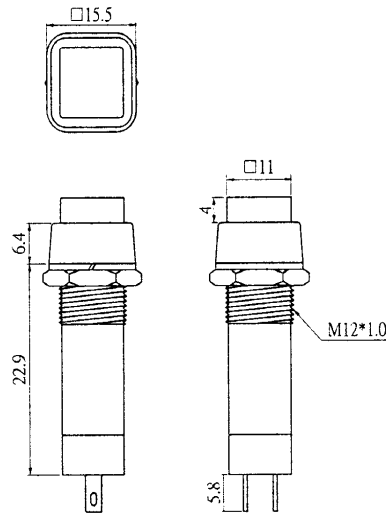
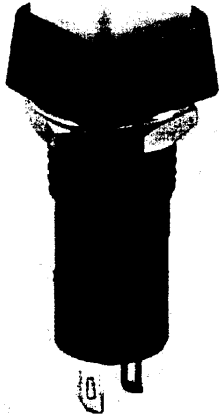


R13-23



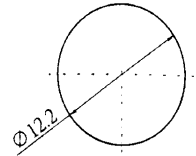
Rating
 3A 125V AC
 1.5A 250V AC

Contact resistance
 50mΩ Max

Insulation resistance
 DC 500V 100MΩ Min

Dielectric strength
 AC 1000V 1 minute

Cut-out



± 4 mm max

FEATURES

- * MATERIAL: Actuators are ABS (UL Frames: 94HB).
- * Phenolic base.

R13-23

