

CABINET PARTS

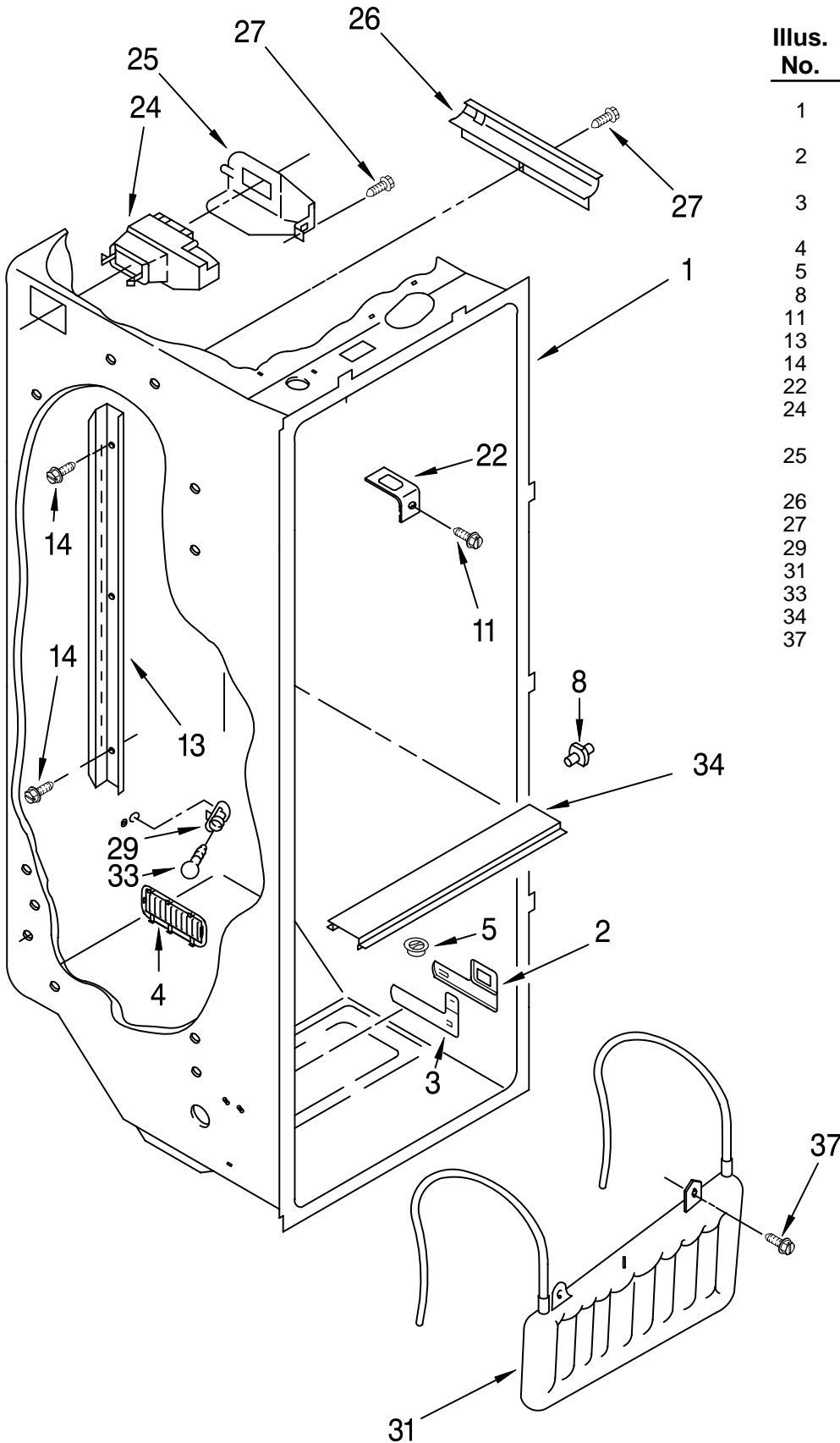
For Models: ED25PQXFW01, ED25PQXFN01
(White) (Almond)

Illus. No.	Part No.	DESCRIPTION
2	2174748	Front Roller (2)
3	489456	Screw
4	981122	Roller (Rear) (2)
5	489427	Screw
6	2155013	Clip, Grille
7	489478	Screw
9	2156056	Shim
12	2196046	Hinge Top (2)
13	2196048	Shim, Hinge Top
14	489284	Screw
15		Hinge Cover
	1129262	White
	2150343	Almond
16	2171851	Hinge Bottom (2)
21		Filler, Wrapper
	1110708	White
	1110709	Almond
22		Grille
	2155486	White
	2155487	Almond
23	489497	Screw
35	489464	Screw
41	940139	Drain Fitting
42	1108438	Extension Tube
43	1108439	Clip, Drain Tube
47	2176140	Cover, Unit
48		Cabinet (Not A Serviceable Part)
49		Hinge Cover
	1119787	White
	1119789	Almond
52	549193	Clamp, Service Cord
53	489084	Screw
54	2155311	Door Closer, Lower Cam (2)
55	489483	Screw

FOR ORDERING INFORMATION REFER TO PARTS PRICE LIST

REFRIGERATOR LINER PARTS

For Models: ED25PQXFW01, ED25PQXFN01
(White) (Almond)

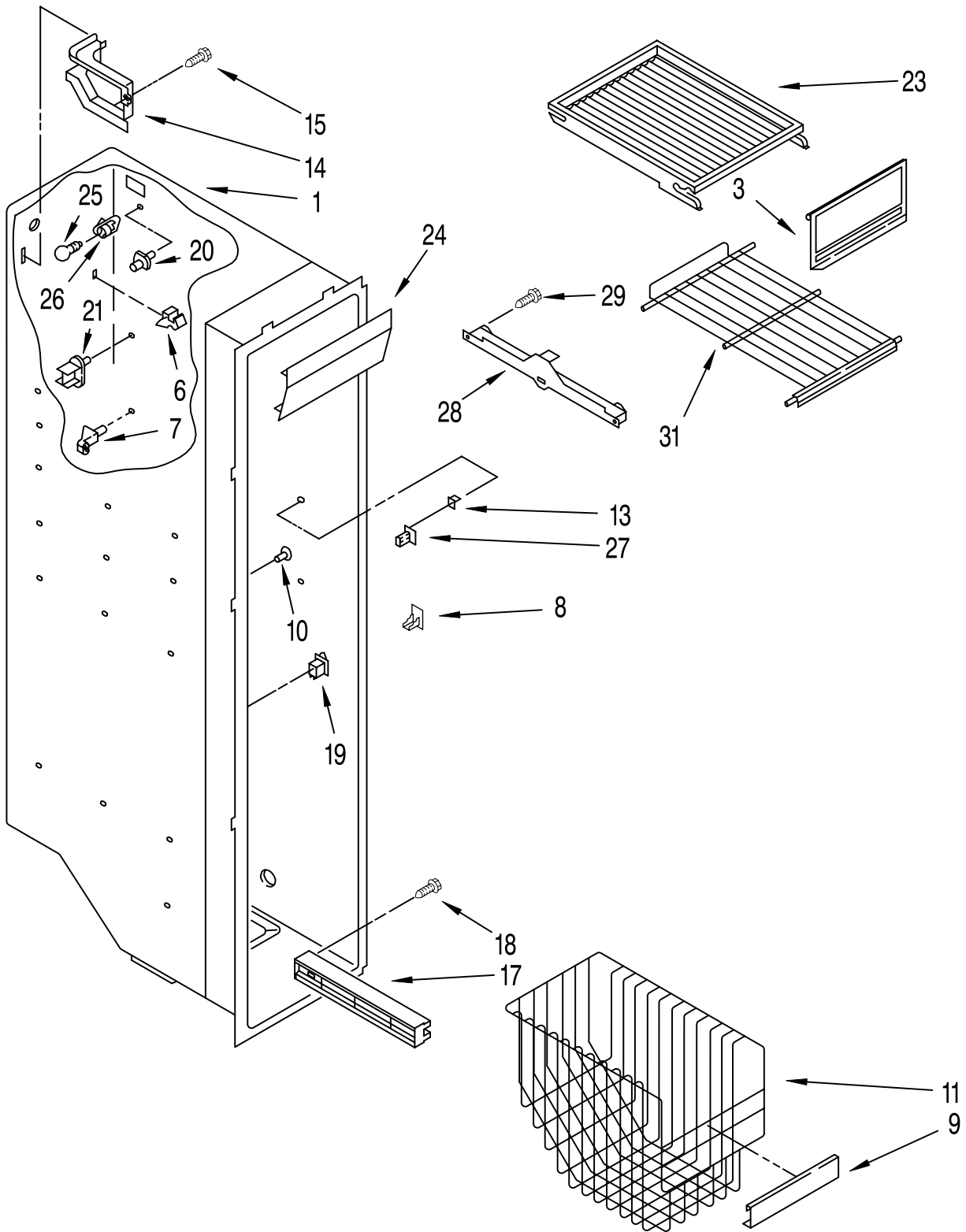


Illus. No.	Part No.	DESCRIPTION
1		Liner (Not A Serviceable Part)
2	2194744	Escutcheon, Meat Pan Control
3	2182757	Slide, Meat Pan Control
4	2182147	Louver
5	2171846	Release Valve
8	1110718	Stud (4)
11	489290	Screw (2)
13	2181796	Shelf Ladder
14	487539	Screw
22	1123919	Bracket Retainer
24	2176173	Air Diffuser Assembly
25	2152019	Air Diffuser Cover
26	2150331	Cover, Conduit
27	486298	Screw
29	2162085	Socket
31	2155290	Reservoir
33	527949	Light Bulb
34	2174436	Light Lens
37	488280	Screw (2)

FOR ORDERING INFORMATION REFER TO PARTS PRICE LIST

FREEZER LINER PARTS

For Models: ED25PQXFW01, ED25PQXFN01
(White) (Almond)



FOR ORDERING INFORMATION REFER TO PARTS PRICE LIST

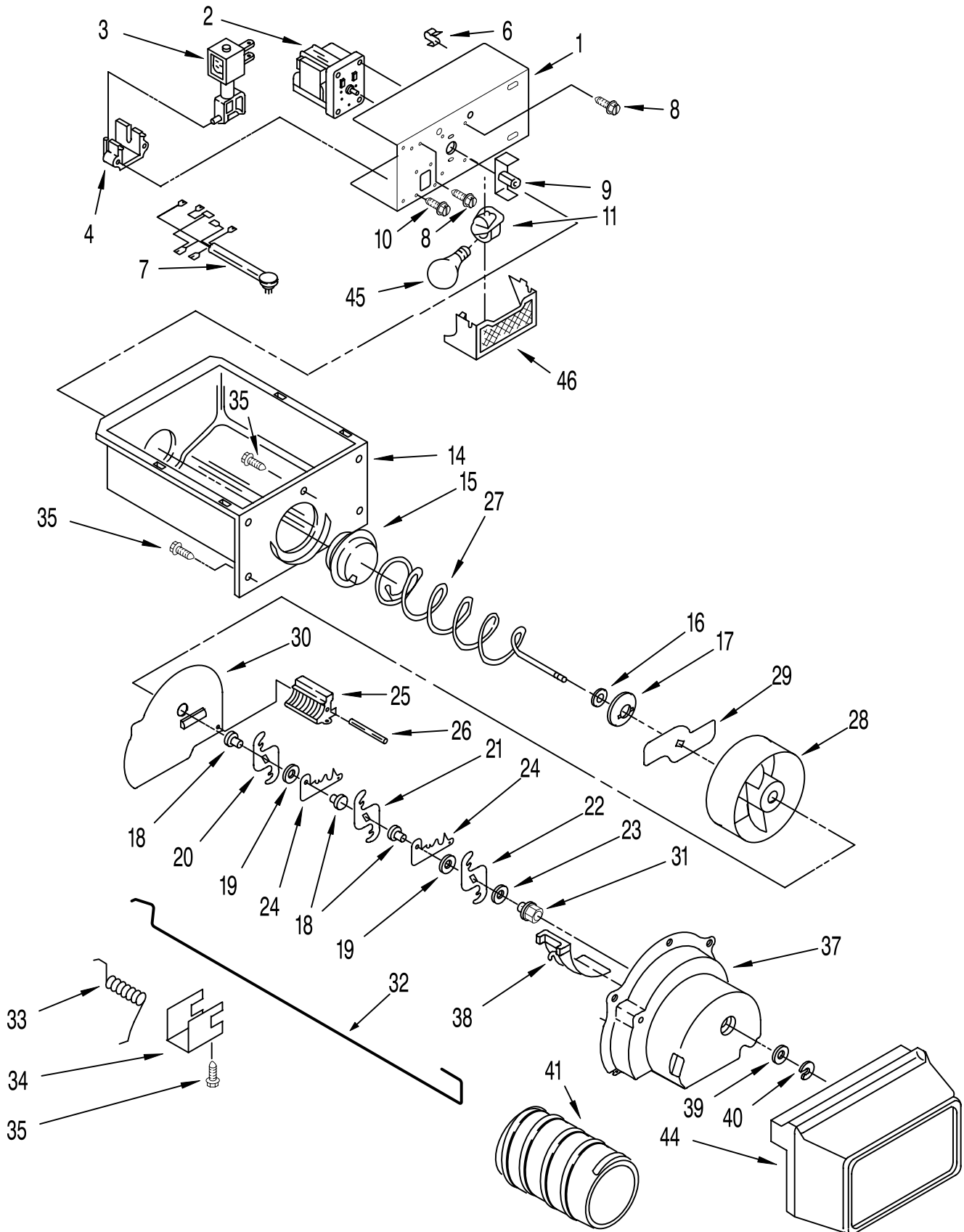
FREEZER LINER PARTS

For Models: ED25PQXFW01, ED25PQXFN01
(White) (Almond)

Illus. No.	Part No.	DESCRIPTION
1		Liner (Not A Serviceable Part)
3	2171713	Door, Ice Compartment
6	842534	Clip, Air Duct (2)
7	1115317	Support, Stud (4)
8	1106982	Stud Rear
9	2195905	Trim, Basket
10	2176134	Grommet
11	2181764	Basket, Slope
13	946355	Stud, Support
14	2155572	Wiring Cover
15	489355	Screw
17		Slide, Basket
	2181760	Right Side
	2181759	Left Side
18	487042	Screw
19	1115373	Switch, Rocker Arm
20	1110718	Stud (4)
21	1115386	Stud, Shelf (4)
23	2171714	Shelf, Top Compartment
24	2171705	Light Lens
25	527949	Light Bulb
26	2162085	Light Socket
27	946356	Stud, Front R.S.
	1106982	Stud, Rear R.S.
28		Slide, Container
	1119237	Left Side
	1119293	Right Side
29	489100	Screw
31	2174268	Shelf (2)
	2174267	Shelf (1)

MOTOR AND ICE CONTAINER PARTS

For Models: ED25PQXFW01, ED25PQXFN01
(White) (Almond)



FOR ORDERING INFORMATION REFER TO PARTS PRICE LIST

MOTOR AND ICE CONTAINER PARTS

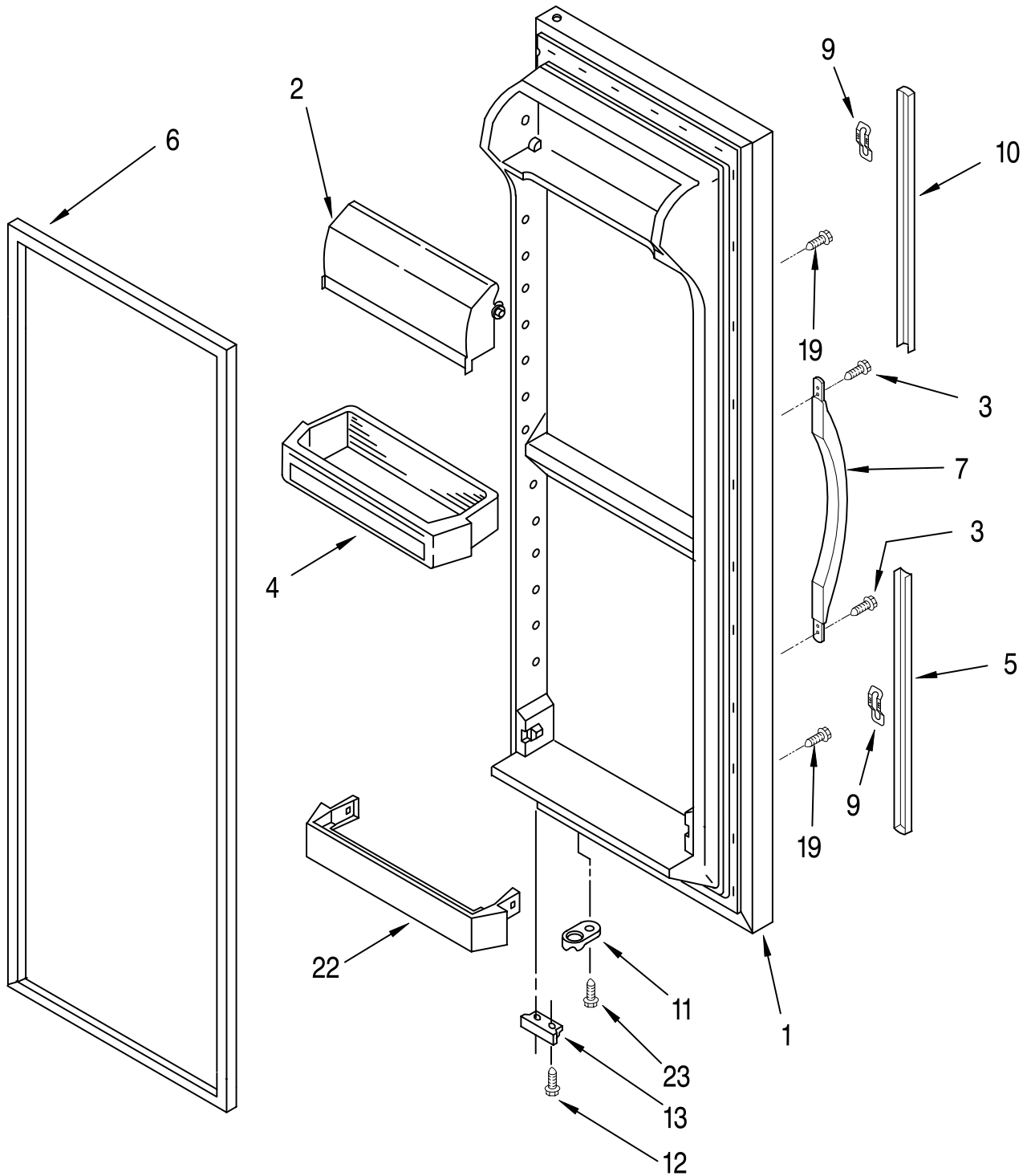
For Models: ED25PQXFW01, ED25PQXFN01
(White) (Almond)

Illus. No.	Part No.	DESCRIPTION
1	2183726	Bracket, Motor
2	2155263	Motor, Dispenser
3	2152713	Solenoid Assembly
4	2149100	Guide, Solenoid
6	1115374	Clip, Wiring
7	2169490	Wiring Assembly, Ice Dispenser
8	489399	Screw
9	983663	Coupling, Motor
10	489478	Screw
11	2162085	Socket, Light
14	2196091	Ice Container
15	983668	Coupling, Conveyor
16	1118480	Stop, Cone
17	1119074	Feeder Cone
18	1119005	Spacer, Step (3)
19	1119007	Spacer, Flat (2)
20	1119006	Blade, Rotary
21	1119012	Blade, Rotary
22	1119013	Blade, Rotary
23	489235	Washer, Plain
24	1119009	Blade, Fixed (2)
25	2157405	Block, Blade
26	489229	Roll Pin
27	2181955	Conveyor
28	2171681	Drum
29	1118470	Drive Bar
30	2171682	Floating Baffle
31	1119018	Nut, Bearing
32	2155231	Control Arm
33	1119020	Spring, Return
34	1119021	Retainer Clip, Rod
35	488886	Screw
37	2180348	Housing, Crusher
38	1119017	Deflector, Ice
39	489234	Washer, Plain
40	489236	Retainer Ring
41	2152021	Sleeve, Auger
44	2171708	Front Cover, Ice Container
45	527949	Light Bulb
46	2171706	Light Lens, Dispenser

FOR ORDERING INFORMATION REFER TO PARTS PRICE LIST

REFRIGERATOR DOOR PARTS

For Models: ED25PQXFW01, ED25PQXFN01
(White) (Almond)



FOR ORDERING INFORMATION REFER TO PARTS PRICE LIST

REFRIGERATOR DOOR PARTS

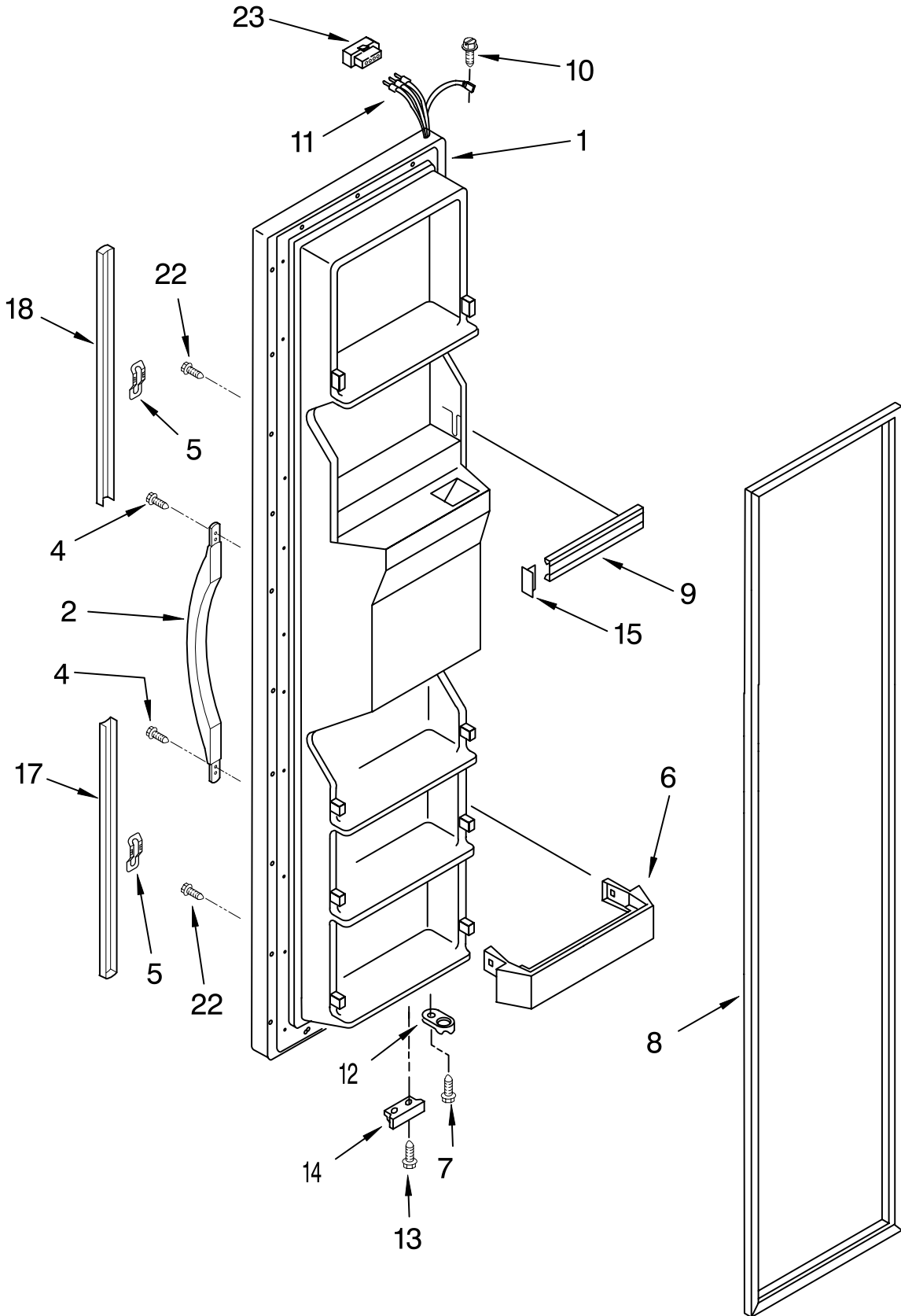
For Models: ED25PQXFW01, ED25PQXFN01
(White) (Almond)

Illus. No.	Part No.	DESCRIPTION
1		Refrigerator Door (Includes Item 6)
	2194509W	White
	2194509N	Almond
2	2177105	Door, Compartment
3	489491	Screw
4	2194917	Shelf Bin (3)
5		Extension, Handle
	2194969W	White
	2194969N	Almond
6	2159075	Door Gasket, Magnetic (Repair)
7		Handle, Center
	2186649W	White
	2186649N	Almond
9	2195327	Clip (4)
10		Extension, Handle
	2194973W	White
	2194973N	Almond
11	2182132	Door Closer, Upper Cam
12	489420	Screw
13	2195950	Bracket, Door Stop
19	3400852	Screw
22	2177962	Trivet, Shelf
23	3400012	Screw

FOR ORDERING INFORMATION REFER TO PARTS PRICE LIST

FREEZER DOOR PARTS

For Models: ED25PQXFW01, ED25PQXFN01
(White) (Almond)



FOR ORDERING INFORMATION REFER TO PARTS PRICE LIST

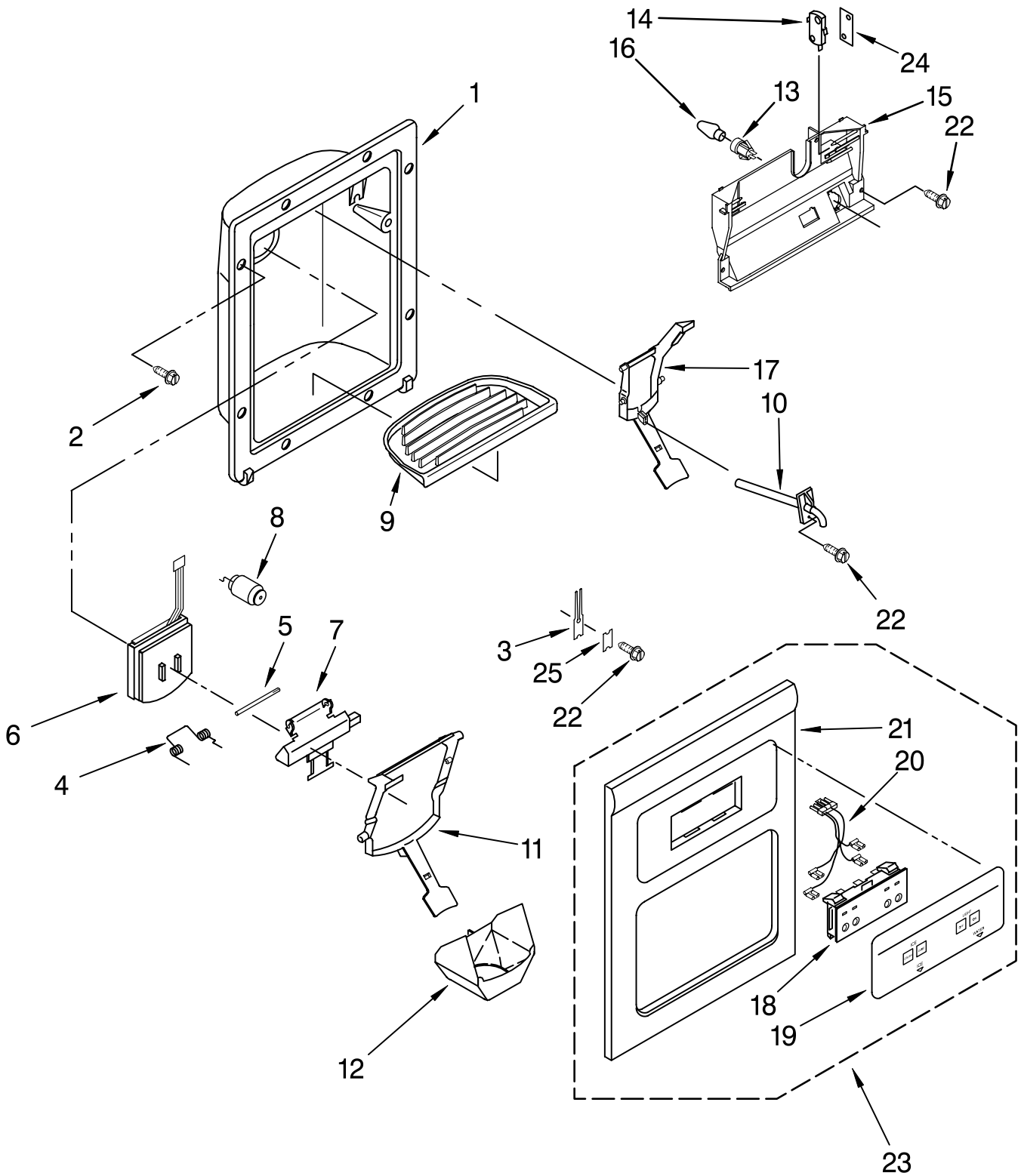
FREEZER DOOR PARTS

For Models: ED25PQXFW01, ED25PQXFN01
(White) (Almond)

Illus. No.	Part No.	DESCRIPTION
1		Freezer Door (Includes Item 8 And Dispenser Front Parts)
	2194507W	White
	2194507N	Almond
2		Handle, Center
	2186649W	White
	2186649N	Almond
4	489491	Screw
5	2195327	Clip (4)
6	2194501	Trivet, Shelf (4)
7	3400012	Screw
8	2159074	Door Gasket, Magnetic (Repair)
9	2195931	Trim, Door Shelf
10	488500	Screw
11	2183713	Wire Harness
12	2182132	Door Closer, Upper Cam
13	489420	Screw
14	2195950	Bracket, Door Stop
15	2156006	Plug, Trim
17		Extension, Handle
	2194969W	White
	2194969N	Almond
18		Extension, Handle
	2194973W	White
	2194973N	Almond
22	3400852	Screw
23	2154473	Connector

DISPENSER FRONT PARTS

For Models: ED25PQXFW01, ED25PQXFN01
(White) (Almond)



FOR ORDERING INFORMATION REFER TO PARTS PRICE LIST

DISPENSER FRONT PARTS

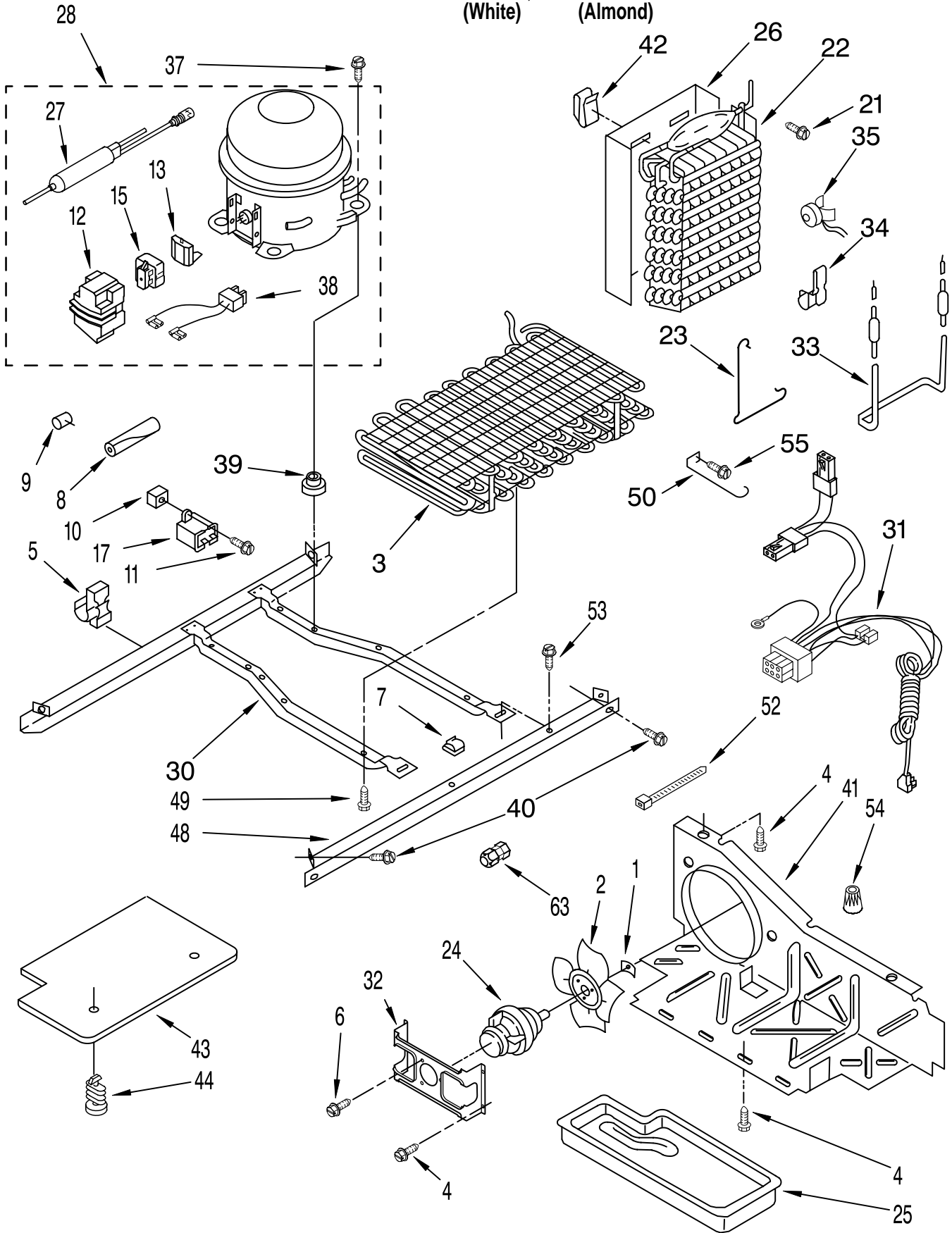
For Models: ED25PQXFW01, ED25PQXFN01
(White) (Almond)

Illus. No.	Part No.	DESCRIPTION
1		Housing, Dispenser (Not Serviced)
2	489101	Screw
3	2194719	Retainer, Levers
4	2180209	Spring, Torsion
5	2180210	Pin
6	2180205	Door, Ice
7	2180208	Door Mechanism Assembly
8	2180223	Mechanism Delay
9		Grille, Overflow
	2183787W	White
	2183787N	Almond
10	2180225	Water Fitting Assembly (Includes Water Tube)
11		Lever, Ice Dispenser
	2195089W	White
	2195089N	Almond
12	2180224	Guide, Ice
13	2180200	Lamp Holder
14	2162361	Switch (2)
15	2183771	Bracket, Control
16	3406124	Bulb, Light
17		Lever, Water Dispenser
	2195090W	White
	2195090N	Almond
18	2180279	Switch Assembly (Also Order #19)
19		Overlay, Front Cover
	2180355	White
	2180356	Almond
20	2180331	Wire Assembly
21		Front Cover, Housing (Not Available, Order #23)
22	489000	Screw
23		Front Cover Assembly (Includes Items 18, 19, 20 & 21)
	2194608W	White
	2194608N	Almond
24	625834	Spacer, Switch (2)
25	2195051	Strain Relief

FOR ORDERING INFORMATION REFER TO PARTS PRICE LIST

UNIT PARTS

For Models: ED25PQXFW01, ED25PQXFN01
(White) (Almond)



FOR ORDERING INFORMATION REFER TO PARTS PRICE LIST

UNIT PARTS

For Models: ED25PQXFW01, ED25PQXFN01
(White) (Almond)

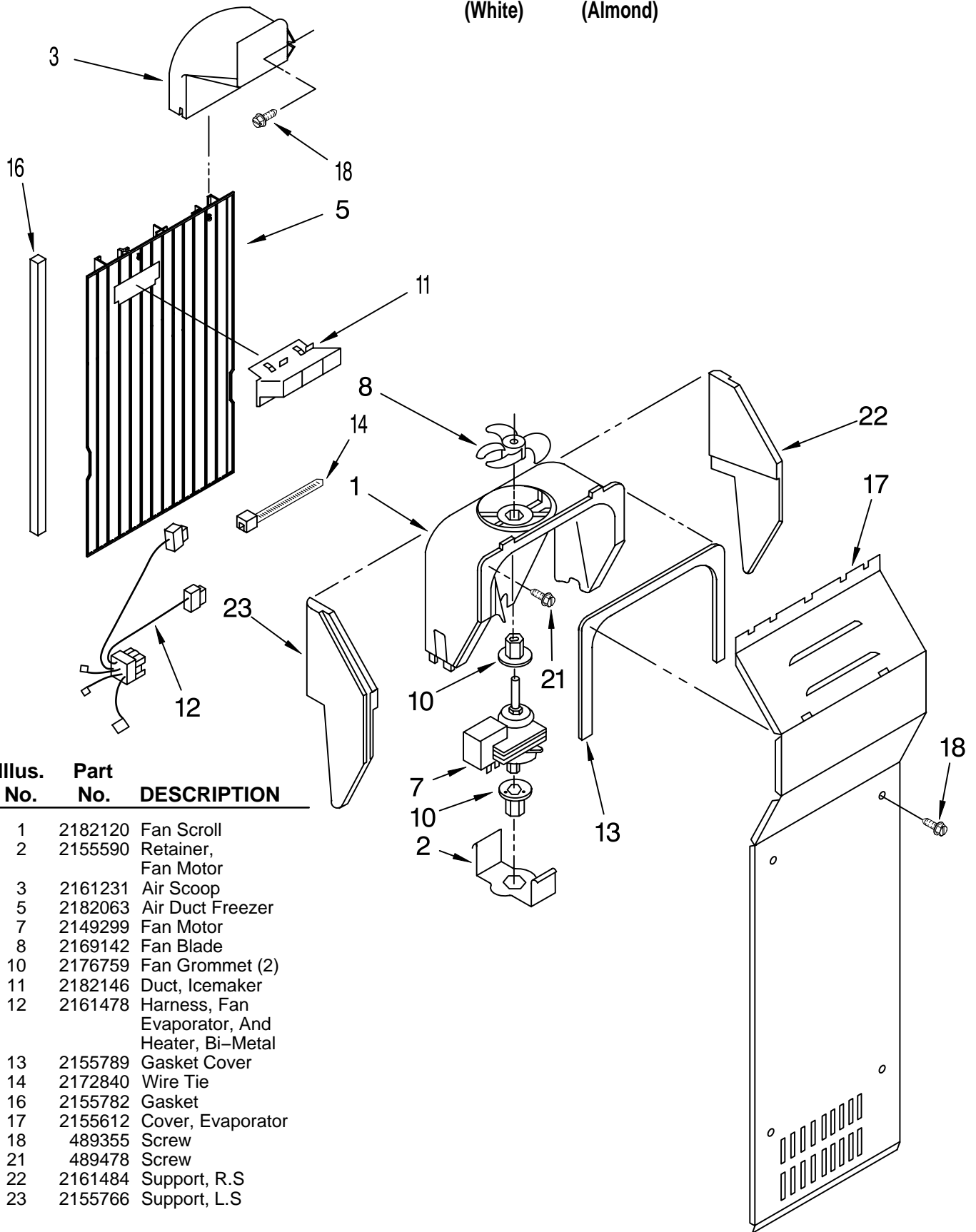
Illus. No.	Part No.	DESCRIPTION	Illus. No.	Part No.	DESCRIPTION	Illus. No.	Part No.	DESCRIPTION
1	486692	Speed Nut	30	2157396	Unit Mounting Frame	<hr/> Following Parts Not Illustrated and Optional Parts Not Included <hr/>		
2	1108179	Fan, Blade	31	2194746	Unit, Harness (Includes Power Cord)			
3	2198175	Condenser Assembly	32	2181929	Fan, Motor Bracket	978025		Valve, Access (1/4")
4	489464	Screw	33	2188175	Heater, Defrost	978026		Valve, Access (5/16")
5	2155658	Clip, Wire	34	2161330	Clip	978027		Valve, Access (3/8")
6	489099	Screw	35	2176066	Bi-Metal, Defrost	978028		Valve, Access (1/2")
7	934011	Clip, Tube (3)	37	489373	Screw	978029		Valve, Access (5/8")
8	2161302	Sleeve	38	2172890	Wire Connector	978030		Valve, Access (3/4")
9	2158826	Dampener	39	1100826	Grommet (4)	876764		Valve, Access (3/16")
10	509812	Grommet	40	489340	Screw	<hr/> REFRIGERANT CHARGE <hr/> 5.75 oz. (R-134A)		
11	488687	Screw	41	2149128	Air Baffle			
12	2162358	Cover	42	2155547	Clip, Heat Shield			
13	2183456	Overload	43	2182058	Unit Cover, Bottom			
15	2183454	Relay	44	489396	Clip			
17	2169137	Capacitor (Service Compressor Only)	48	1127906	Unit Mounting Rail			
21	489478	Screw	49	488624	Screw			
22	2164519	Evaporator	50	1110663	Guard, Fan			
23	2161324	Clamp	52	2172840	Strap			
24	2176336	Fan, Motor	53	489427	Screw			
25	1110674	Tray, Evaporator	54	227991	Wire Connector			
26	2149294	Heat Shield	55	488649	Screw			
27	2164409	Drier	63	2150347	Union			
28	2183455	Compressor (Includes Items 12, 13, 15, 17, 27 & 38) (Also Order 876765 Tube Kit)						



FOR ORDERING INFORMATION REFER TO PARTS PRICE LIST

AIR FLOW PARTS

For Models: ED25PQXFW01, ED25PQXFN01
(White) (Almond)

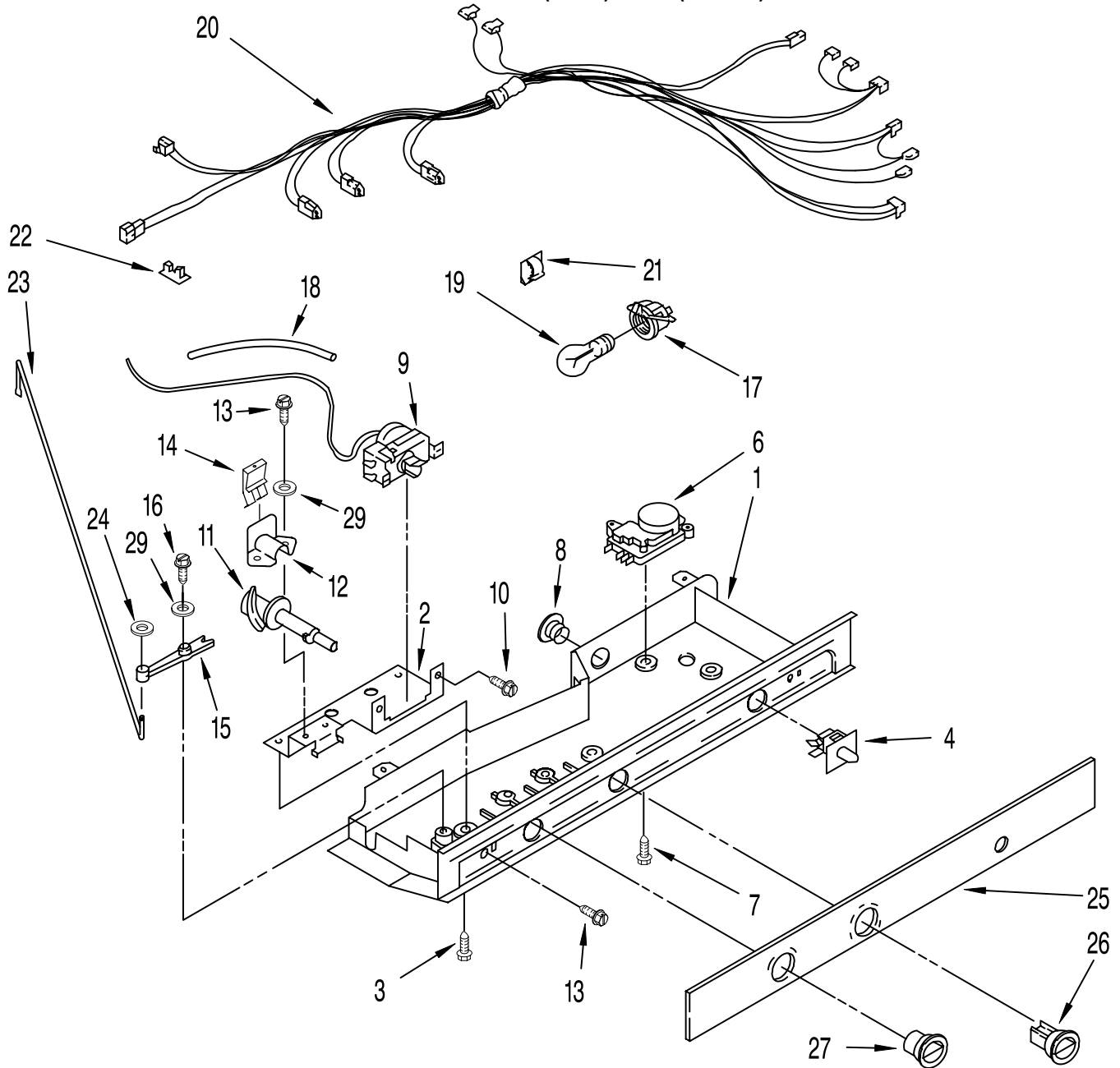


Illus. No.	Part No.	DESCRIPTION
1	2182120	Fan Scroll
2	2155590	Retainer, Fan Motor
3	2161231	Air Scoop
5	2182063	Air Duct Freezer
7	2149299	Fan Motor
8	2169142	Fan Blade
10	2176759	Fan Grommet (2)
11	2182146	Duct, Icemaker
12	2161478	Harness, Fan Evaporator, And Heater, Bi-Metal
13	2155789	Gasket Cover
14	2172840	Wire Tie
16	2155782	Gasket
17	2155612	Cover, Evaporator
18	489355	Screw
21	489478	Screw
22	2161484	Support, R.S
23	2155766	Support, L.S

FOR ORDERING INFORMATION REFER TO PARTS PRICE LIST

CONTROL PARTS

For Models: ED25PQXFW01, ED25PQXFN01
(White) (Almond)



Illus. No.	Part No.	DESCRIPTION
1	2169147	Control Box
2	1110629	Mounting Bracket
3	489397	Screw (2)
4	2149705	Light Switch
6	2176648	Defrost Timer (10 Hr.)
7	489398	Screw (2)
8	940014	Hole Plug
9	2198202	Thermostat
10	487869	Screw

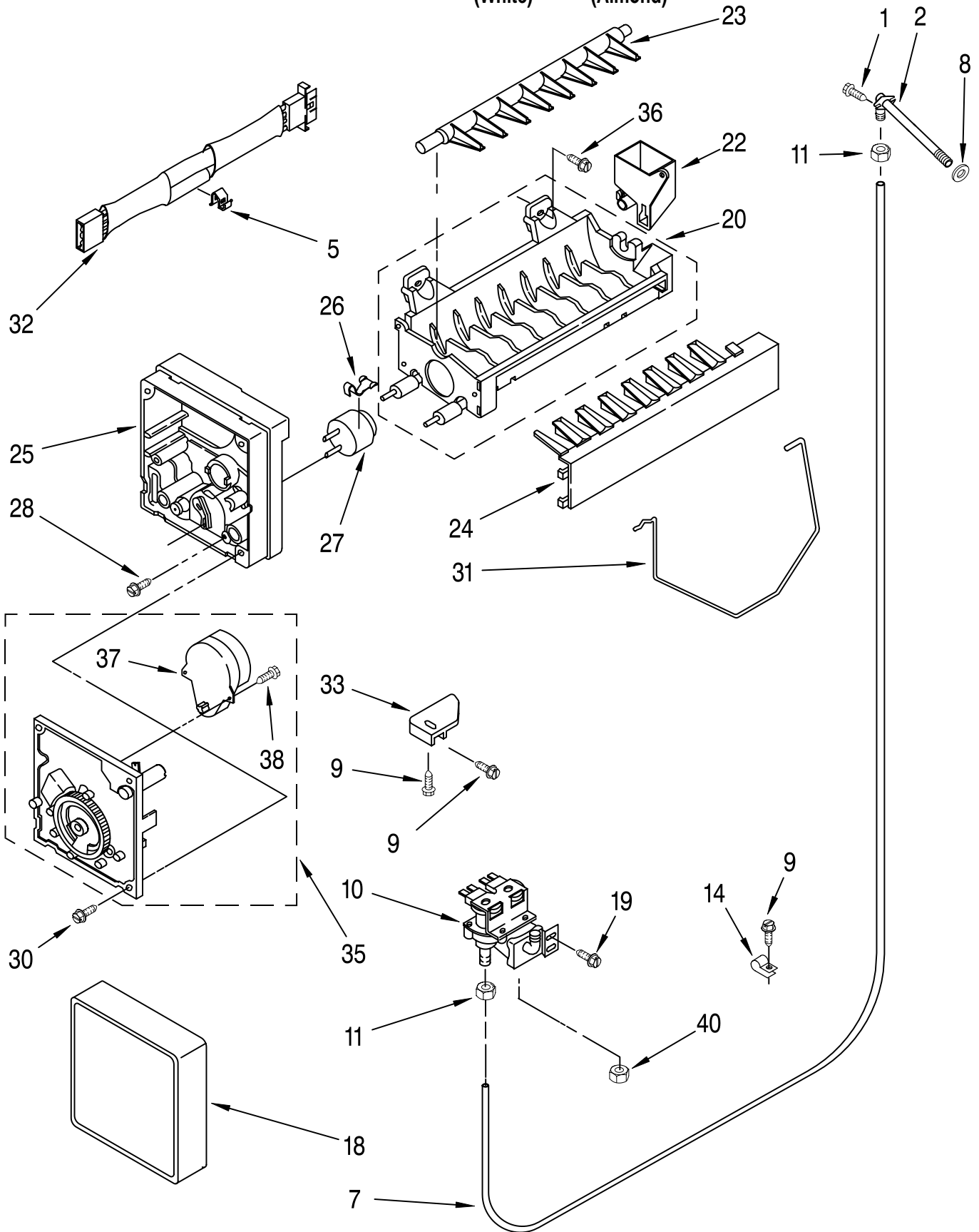
Illus. No.	Part No.	DESCRIPTION
11	2182195	Cam Assembly
12	1110560	Bearing Body
13	489478	Screw
14	2196062	Clip, Damper Control
15	1110559	Pivot Arm
16	627068	Screw
17	2162085	Light Socket
18	2196001	Thermostat, Barrier
19	527949	Light Bulb

Illus. No.	Part No.	DESCRIPTION
20	2198306	Control Box Harness
21	1115374	Clip, Wiring
22	1115375	Clip, Wiring
23	1123960	Connecting Rod
24	489285	Fastener, Push-On
25	2194977	Escutcheon, Control Box
26	2197888	Thermostat, Knob
27	2197871	Knob, Air Control
29	489203	Spring Washer

FOR ORDERING INFORMATION REFER TO PARTS PRICE LIST

ICEMAKER PARTS

For Models: ED25PQXFW01, ED25PQXFN01
(White) (Almond)



FOR ORDERING INFORMATION REFER TO PARTS PRICE LIST

ICEMAKER PARTS

For Models: ED25PQXFW01, ED25PQXFN01
(White) (Almond)

Illus. No.	Part No.	DESCRIPTION
1	489084	Screw
2	2196035	Fitting, Water Tube
5	628379	Clip, Fuse
7	2181940	Tube, Water
8	1106508	Seal, Gasket
9	489478	Screw
10	2182106	Valve, Solenoid
11	627018	Nut, Compression
14	489385	Tube Clamp
18	2174155	Cover
19	488649	Screw
20	628315	Mold & Heater Assembly (Also Order 542638
22	628356	Cup, Water Fill
23	627843	Ejector
24	2182124	Ice Striper
25	2194712	Support
26	627796	Retainer, Thermostat
27	628397	Thermostat (Also Order 542369 Cement Alumilastic)
28	489322	Screw
30	489276	Screw
31	2171593	Shut Off Arm
32	628256	Harness, Wiring
33	628320	Bracket
35	628399	Module Assembly (Includes Items 37 & 38)
36	488208	Screw
37	628398	Motor
38	489136	Screw
40	1129179	Nut, Compression
100	4317943	Complete Ice maker Assembly

PARTS NOT ILLUSTRATED

For Models: ED25PQXFW01, ED25PQXFN01
(White) (Almond)

Illus. No.	Part No.	DESCRIPTION
------------	----------	-------------

Parts Not Illustrated and
Optional Parts (Not Included)

Customer Touch-Up Material

*350942	Primer, White (13 Oz. Spray Can)
*350939	Enamel, Black (13 Oz. Spray Can)
*350930	Enamel, White (13 Oz. Spray Can)
*350956	Enamel, Almond (13 Oz. Spray Can)
72017	Brush Touch-Up Kit (White)
72107	Brush Touch-Up Kit (Almond)
72032	Brush Touch-up Kit (Black)

*
not to be used where the paint
may make contact with the door
gaskets.

Refinishing Material

799340	Enamel, Black (1 Qt. Uncut)
799344	Enamel, White (1 Qt. Uncut)
978883	Enamel, Almond (1 Qt. Uncut)

Illus. No.	Part No.	DESCRIPTION
------------	----------	-------------

Miscellaneous

212643	Sealer, Gum (4 Feet)
479502	Tape, Vinyl (3/4 x 108")
876370	Kit, Insulation (2 Pcs. x 3" x 24" X 48")
876305	Kit, Insulation (14 Pcs. x 3" x 24" x 48")
978941	Insulation, Fiberglass (63-1/2" x 35-1/2" X 2-5/8)
876029	Kit, Foam Slab (30" x 32-1/2" x 1-1/2")
505587	Sealer, Mastic (1 Qt.)
503695	Cork, Sealer (1/4 Pound)
511873	Touch-Up, White Porcelain (2 Oz.)
542638	Grease, Silicone (1/2 Oz.)
542639	Cement, Alumilastic (1-1/4 Oz.)
606755	Bag, Insulation (36-5/8" x 46")
799833	Kit, Evaporator Repair (Aluminum Epoxy)
833938	Kit, Terminal Connector
2182102	Ice Container Assembly
2149072	Ice Crusher Mechanism Assembly

Illus. No.	Part No.	DESCRIPTION
------------	----------	-------------

LITERATURE PARTS

LIT2194921	Use & Care Guide
LIT2186936	Service & Wiring Sheet
LIT2198459	Energy Label
LIT628370	Modular Ice maker Service Sheet

TORX SCREW WRENCH

1117510	Torx Key
---------	----------

FOR ORDERING INFORMATION REFER TO PARTS PRICE LIST