

Two-Circuit Limit Switch



Characteristics

| | | |
|---|---|---|
| Degree of protection | | IP67 |
| Rating | IEC 60947-5-1 | AC-15 250V AC / 2A, 48V DC / 2A |
| | UL508 | A600 250V AC / 15A |
| Durability | Mechanical | 15,000,000 operations |
| | Electrical | 750,000 operations |
| Operating Speed | | 1mm ~ 1m/s |
| Operating Frequency | Mechanical | 120 operations /min. |
| | Electrical | 30 operations /min. |
| Rated Frequency | | 50/60Hz |
| Insulation Resistance | | 100MΩ min. (at 500V DC) |
| Contact Resistance | | 25mΩ max. (Initial value) |
| Dielectric Strength | Between terminals of same polarity | AC1,000V(600V) 50/60Hz for 1min |
| | Between current-carrying metal parts and ground | AC2,200V (1,500V) 50/60Hz 1min Uimp 2.5kV |
| | Between each terminal and non-current-carrying metal part | AC2,200V (1,500V) 50/60Hz 1min Uimp 2.5kV |
| Rated insulation voltage (Ui) | | 250V (EN60947-5-1) |
| Pollution degree (Application environment) | | 3 (EN60947-5-1) |
| Conditional short-circuit current | | 100A (EN60947-5-1) |
| Rated open thermal current (Ith) | | 10A, 0.5A (EN60947-5-1) |
| Degree of protection against electric shock | | Class I |
| Vibration Resistance | Malfunction | 10~55 Hz 1.5mm double amplitude |
| Shock Resistance | Destruction | 1,000m/s ² min. |
| | Malfunction | 300m/s ² min. |
| Ambient operating temperature range | | -10°C ~ +80°C with no icing |
| Ambient operating humidity range | | 35% ~ 95%RH |
| Approved by | | UL, CSA, CCC |

Operating Characteristics

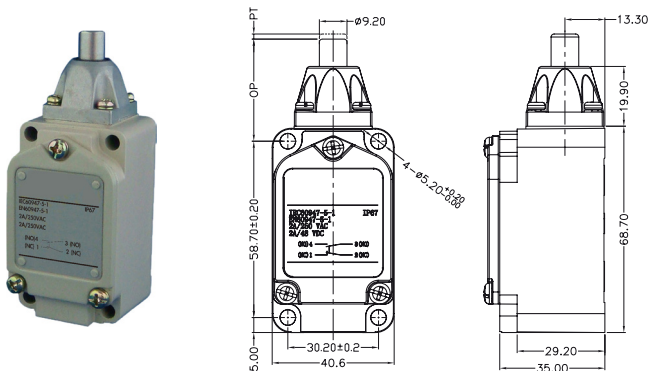
| Part Number | Operating Force (Max.) | Release Force (Min.) | Pre Travel (Max.) | Over Travel (Min.) | Movement Differential (Max.) | Operating Position | TTP |
|-------------|------------------------|----------------------|-------------------|--------------------|------------------------------|--------------------|--------|
| MC002429 | 26.67N | 8.92N | 1.7mm | 6.4mm | 1mm | 34 ±0.8mm | 29.5mm |
| MC002430 | 40.03N | 8.89N | 2.8mm | 6.4mm | 1mm | 40.6 ±0.8mm | - |
| MC002431 | 26.67N | 8.92N | 1.7mm | 5.6mm | 1mm | 44 ±0.8mm | 39.5mm |
| MC002432 | 40.03N | 8.89N | 2.8mm | 5.6mm | 1mm | 54.2 ±0.8mm | - |
| MC002433 | 16N | 2.23N | 15 ±5° | 30° | 12° | - | - |
| MC002434 | 16N | 2.23N | 15 ±5° | 30° | 12° | - | - |

Two-Circuit Limit Switch



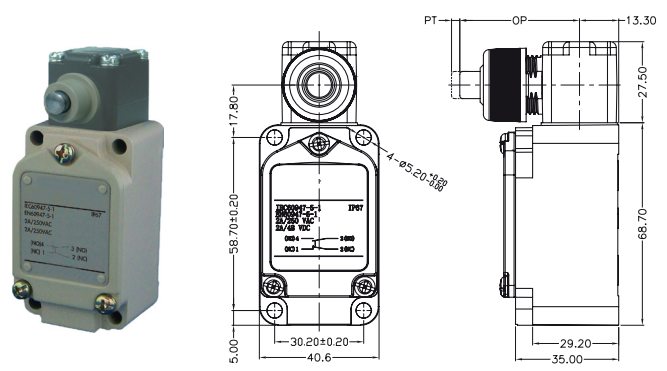
| Part Number | Operating Force (Max.) | Release Force (Min.) | Pre Travel (Max.) | Over Travel (Min.) | Movement Differential (Max.) | Operating Position | TTP |
|-------------|------------------------|----------------------|-------------------|--------------------|------------------------------|--------------------|--------|
| MC002435 | 1.39N | 0.27N | 15 ±5° | 30° | 12° | - | - |
| MC002436 | 11.77N | - | 50 ±5° | 55° | 35° | - | - |
| MC002437 | 16.67N | 4.41N | 1.7mm | 5.6mm | 1mm | 44 ±0.8mm | 39.5mm |
| MC002438 | 26.67N | 8.92N | 1.7mm | 4mm | 1mm | 44.5 ±0.8mm | 41mm |
| MC002439 | 1.47N | - | 20 ±10mm | - | - | - | - |
| MC002440 | 1.47N | - | 40 ±10mm | - | - | - | - |

Top Plunger



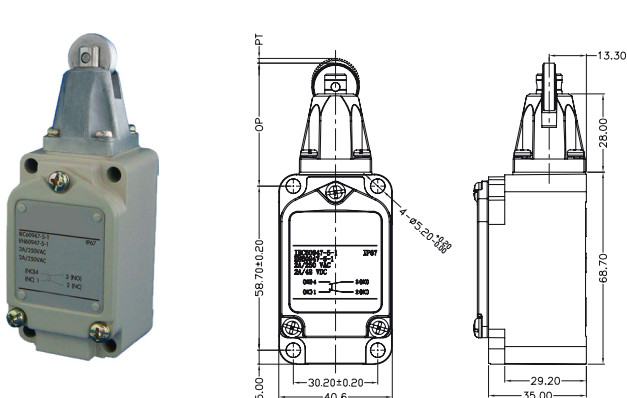
MC002429
Weight: 197.8g

Horizontal Plunger



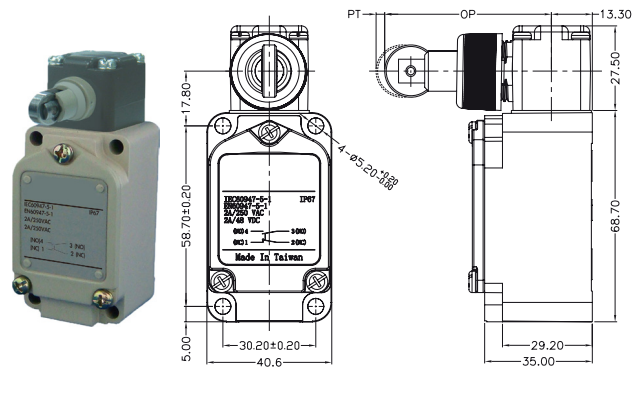
MC002430
Weight: 258.4g

Top-roller Plunger



MC002431
Weight: 204.5g

Horizontal-roller Plunger



MC002432
Weight: 270.8g

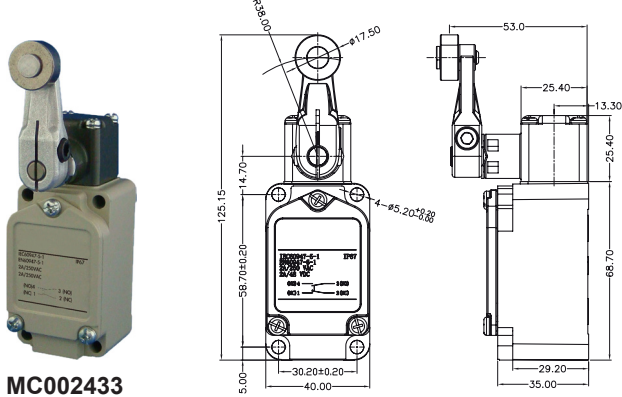
Dimensions : Millimetres



Two-Circuit Limit Switch

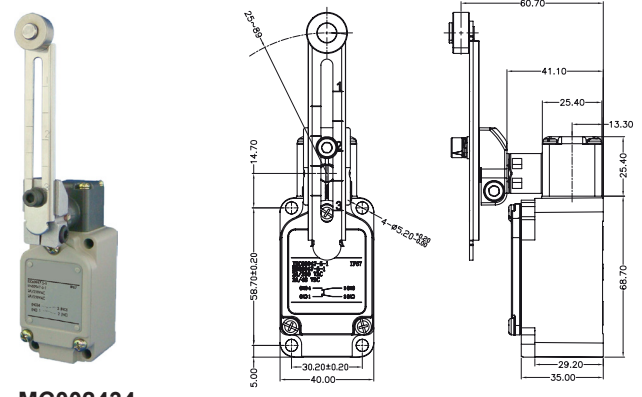


Vertical Standard Roller Lever



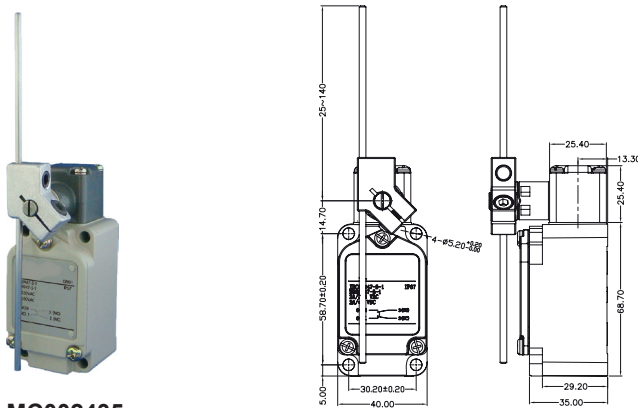
MC002433
Weight: 267.1g

Adjustable Roller Lever



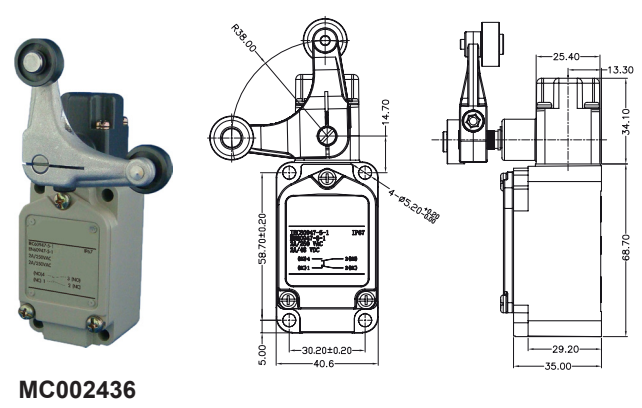
MC002434
Weight: 289.3g

Adjustable Rod Lever



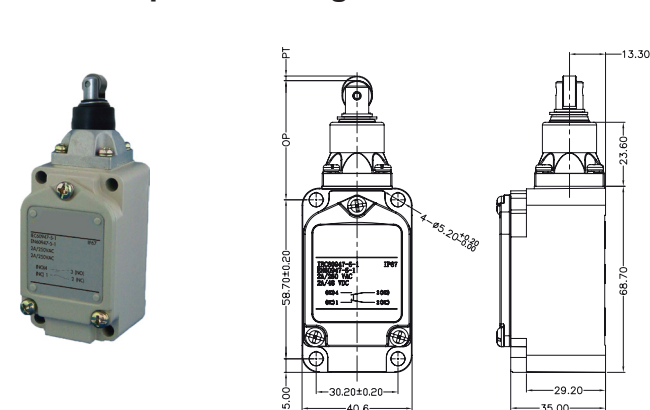
MC002435
Weight: 266.3g

Fork Lever Lock



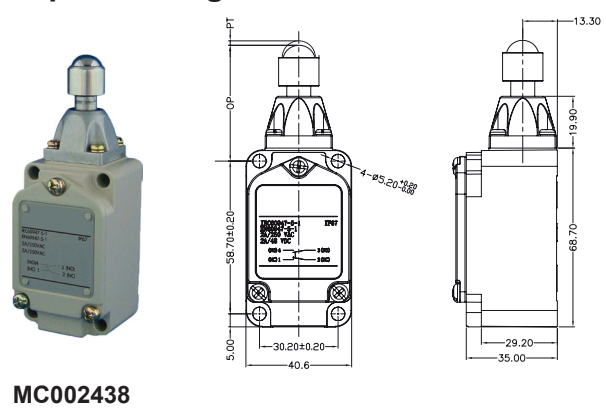
MC002436
Weight: 277.3g

Sealed Top-roller Plunger



MC002437
Weight: 207.1g

Top-ball Plunger



MC002438
Weight: 209.1g

Dimensions : Millimetres



Two-Circuit Limit Switch

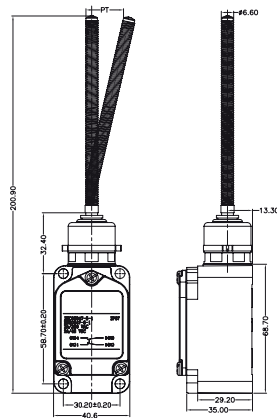


Coil Spring (Stainless Steel)



MC002439

Weight: 212.2g

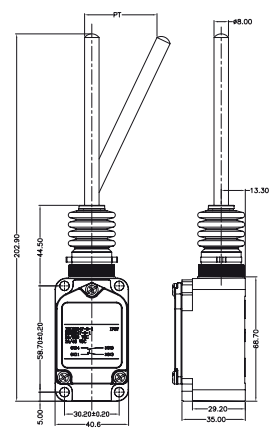


Coil Spring (Resin Rod)



MC002440

Weight: 227g



Dimensions : Millimetres

Part Number Table

| Description | Part Number |
|--|-------------|
| Vertical Limit Switch, Two-Circuit, Top Plunger, Screw Terminal | MC002429 |
| Vertical Limit Switch, Two-Circuit, Horizontal Plunger, Screw Terminal | MC002430 |
| Vertical Limit Switch, Two-Circuit, Top-Roller Plunger, Screw Terminal | MC002431 |
| Vertical Limit Switch, Two-Circuit, Horizontal-Roller Plunger, Screw Terminal | MC002432 |
| Vertical Limit Switch, Two-Circuit, Vertical Standard Roller Lever, Screw Terminal | MC002433 |
| Vertical Limit Switch, Two-Circuit, Adjustable Roller Lever, Screw Terminal | MC002434 |
| Vertical Limit Switch, Two-Circuit, Adjustable Rod Lever, Screw Terminal | MC002435 |
| Vertical Limit Switch, Two-Circuit, Fork Lever Lock, Screw Terminal | MC002436 |
| Vertical Limit Switch, Two-Circuit, Sealed Top-Roller Plunger, Screw Terminal | MC002437 |
| Vertical Limit Switch, Two-Circuit, Top-Ball Plunger, Screw Terminal | MC002438 |
| Vertical Limit Switch, Two-Circuit, Coil Spring (Stainless Steel), Screw Terminal | MC002439 |
| Vertical Limit Switch, Two-Circuit, Coil Spring (Resin Rod), Screw Terminal | MC002440 |

Important Notice : This data sheet and its contents (the "Information") belong to the members of the Premier Farnell group of companies (the "Group") or are licensed to it. No licence is granted for the use of it other than for information purposes in connection with the products to which it relates. No licence of any intellectual property rights is granted. The Information is subject to change without notice and replaces all data sheets previously supplied. The Information supplied is believed to be accurate but the Group assumes no responsibility for its accuracy or completeness, any error in or omission from it or for any use made of it. Users of this data sheet should check for themselves the Information and the suitability of the products for their purpose and not make any assumptions based on information included or omitted. Liability for loss or damage resulting from any reliance on the Information or use of it (including liability resulting from negligence or where the Group was aware of the possibility of such loss or damage arising) is excluded. This will not operate to limit or restrict the Group's liability for death or personal injury resulting from its negligence. Multicomp is the registered trademark of the Group. © Premier Farnell Limited 2016.